

# QAD series

## Signal/ LED Warning Lights with High Volume Built-in Buzzer



- 6 Bit input, 5 sound tones for each group
- Binary input 30 sound tones output SD Card(MP3) support



QAD125 series



QAD series buzzer and electric sound is rich and clear because the RESONANCE CHAMBER amplifies the sound.

**⚠ Do not supply power into the signal line. Product may be damaged as a result**

- Once powering on, signal light will work. However, the speaker will require additional wiring.

### QAD125H Wall Mount Type LED Steady/ Flash & Electric Horn

- Built-in sound/MP3

Model number	Voltage	Current	Sound Pattern and Volume	Certificates	Weight	Color
QAD125H	DC12V-24V	Max. 2.150A	<ul style="list-style-type: none"> <li>• Bit Input : 5Ch</li> <li>• Binary Input : 30Ch</li> <li>• Warning : Max 115dB</li> <li>• MP3 : Max 100dB</li> </ul>		1.12kg	<ul style="list-style-type: none"> <li>• R-Red</li> <li>• A-Amber</li> <li>• G-Green</li> <li>• B-Blue</li> </ul>
	AC110V-220V	Max 0.320A			1.14kg	

\* DC type model has a free-voltage range of 10V-30V.  
\* AC type model has a free-voltage range of 100V-240V.

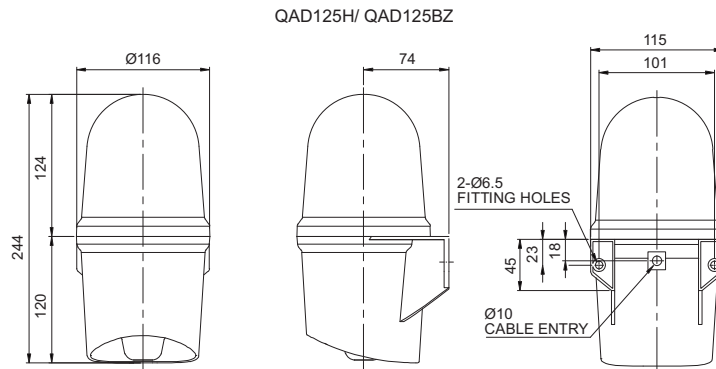
### QAD125BZ Wall Mount Type LED Steady/ Flash & Strong Buzzer

- Built-in strong buzzer

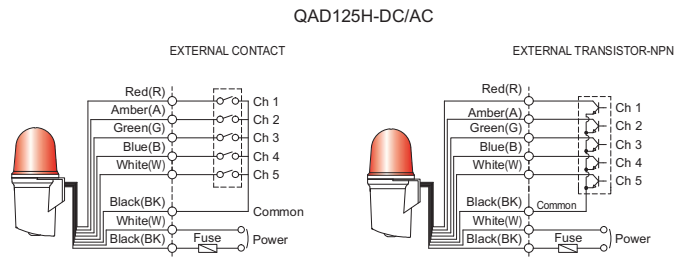
Model number	Voltage	Current	Sound Pattern and Volume	Certificates	Weight	Color
QAD125BZ	DC12V	0.460A	<ul style="list-style-type: none"> <li>• Buzzer Volume : Max 105dB</li> </ul>		1.22kg	<ul style="list-style-type: none"> <li>• R-Red</li> <li>• A-Amber</li> <li>• G-Green</li> <li>• B-Blue</li> </ul>
	DC24V	0.290A				
	AC110V-220V	Max 0.145A			DC24V only	

\* AC type model has a free-voltage range of 100V-240V.

### Technical Diagram (Units : mm)



### Wiring Instructions



- External power line standard, UL1015 AWG18(0.75sq)×2C 400mm
- Signal line standard, UL1007 AWG22(0.3sq) 400mm
- Product can be wired regardless of polarity
- In case of 6 Bits input, 5 sound tones can be played. For Binary input, 30 sound tones can be played

\* Detailed instructions for multi-functional products are shown on page 28. (Wiring Instructions substitutes for channel selection switch)

### Ordering Specification

<b>QAD125BZ</b>	-	<b>24</b>	-	<b>R</b>
[Model number]		[Voltage]		[Color]
<ul style="list-style-type: none"> <li>• QAD100BZ</li> <li>• QAD125BZ</li> </ul>		<ul style="list-style-type: none"> <li>• 12-DC12V</li> <li>• 24-DC24V</li> <li>• 110/220-AC110V-220V</li> </ul>		<ul style="list-style-type: none"> <li>• R-Red</li> <li>• A-Amber</li> <li>• G-Green</li> <li>• B-Blue</li> </ul>

