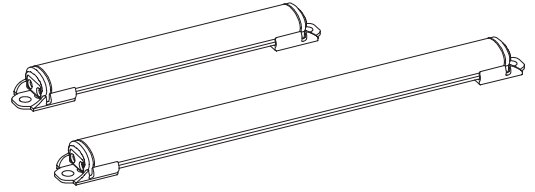
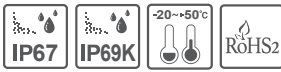


# Waterproof LED Light Bars for Multi-use

## QCML-7C-24



Thank you for purchasing Qlight's products. Please read this user manual carefully prior to installation and operation to ensure safe and correct use.

### ⚠ Precautions for Safety

Failure to follow the instructions below may cause a loss of life or serious physical injury.

1. During wiring or maintenance, please completely turn off the power of the product. (Failure to follow this may lead to an electric shock.)
2. Do not install the product in locations that subjects it to excessive dust or water other than the conditions designated by the IP protection ratings indicated for each product. (Failure to follow these instructions may cause a fire to the product, electric shock, physical injury, malfunction or damage to the product.)
3. Do not alter or repair this product. If maintenance or repair service is required, please contact your local Qlight contact point. (Failure to follow these instructions may lead to fire, electric shock, or product damage.)
4. Please apply the correct voltage to the product. (Failure to follow these instructions may lead to fire, electric shock, or product damage.)
5. When the product is applied to a condition that may impact lives or property, please make sure to have a double safety device. (Failure to follow this may cause damage to property, fire, electric shock and loss of life.)

### ⚠ Precautions for Correct Use

Failure to follow the proper instructions may cause damage to property, the product, or malfunction of the product that would void the warranty.

1. Please remove any objects that can interrupt ventilation around the product.
2. Please turn off the power of the product immediately if it fails to operate properly.
3. Carefully wire the product according to each product's specification.
4. Please be careful in preventing chemicals such as thinner, benzene, etc. in contact with the surface of the product.
5. Do not apply excessive force/impact to the product.
6. Failure to follow any of the instructions above may cause malfunction or damage to the product, fire, and electric shock.

### Ordering Specification

QCML	-	200	-	7C	-	24
[Model number]		[Product length]		[Light color]		[Voltage]
• QCML		• 200 - 228mm • 300 - 328mm • 400 - 428mm • 500 - 528mm		• 600 - 628mm • 900 - 928mm • 1,200 - 1,228mm • 1,500 - 1,528mm		• 7C - 7colors(standard) • 24 - DC24V



Please scan the QR code for more detailed product information.

[www.qlight.com](http://www.qlight.com)

# Product Specifications

## Optics Specifications

Model number	QCML-200-7C	QCML-300-7C	QCML-400-7C	QCML-500-7C	QCML-600-7C	QCML-900-7C	QCML-1200-7C	QCML-1500-7C
Lens color	Translucent							
Light color/ Color temperature	Red	618-635 nm						
	Green	510-530 nm						
	Blue	453-465 nm						
	Amber	563-573 nm						
	Violet	478-488 nm						
	Cian	375-385 nm						
White	470-480 nm							

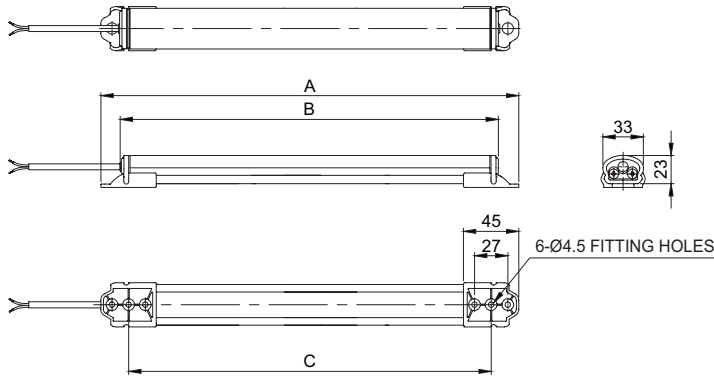
## General Product Specifications

Model number	QCML-200-7C	QCML-300-7C	QCML-400-7C	QCML-500-7C	QCML-600-7C	QCML-900-7C	QCML-1200-7C	QCML-1500-7C
Rated voltage	DC24V							
Range for operation voltage	DC21V-30V							
Power consumption	4.8W	5.6W	9.4W	10.3W	11.4W	17W	22.2W	28W
Insulation resistance	Min. 100MΩ(500V DC mega ohm meter)							
Withstanding voltage	DC : 500VAC, 60Hz, 1 minute							
Protection rating	-20°C to +50°C							
Operating temperature	IP67/ IP69K							
Materials	Lens : PC, Side cover : PC, Heat sink : Al, Bracket : PC							
Certificate	DC24 only            DC24 only							
Weight(approx.)	0.16kg	0.20kg	0.26kg	0.33kg	0.40kg	0.56kg	0.76kg	0.94kg

## Dimensions

(Units : mm)

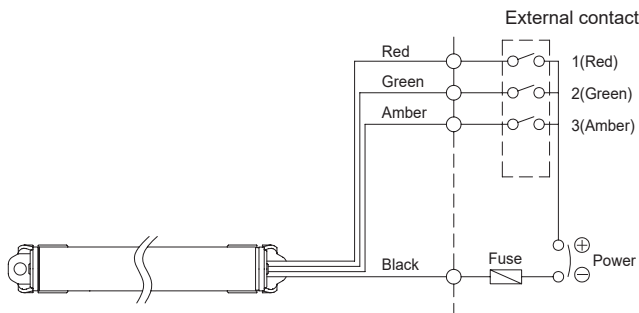
QCML-200/ 300/ 400/ 500/ 600/ 900/ 1200/ 1500-7C



MODEL	A	B	C	D
QCML-200-7C	262	228	45~217	2
QCML-300-7C	362	328	45~317	2
QCML-400-7C	462	428	45~417	2
QCML-500-7C	562	528	45~517	2
QCML-600-7C	662	628	45~617	2
QCML-900-7C	962	928	45~917	3
QCML-1200-7C	1262	1228	45~1217	4
QCML-1500-7C	1562	1528	45~1517	4

\*D : Recommended quantity of mounting bracket

## Wiring Instructions



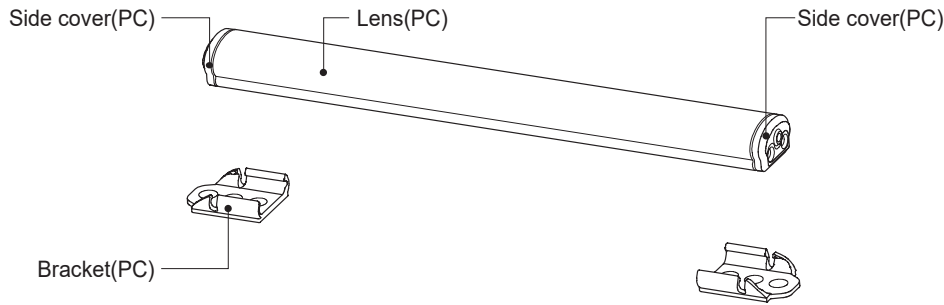
• External power line - Dura & Flex-F VU(0.3sq) x 4C 450mm

### Wiring Configuration for Signal Color

No.	Color	Wiring
1	RED	1(RED)
2	GREEN	2(GREEN)
3	BLUE	3(AMBER)
4	AMBER	1(RED)+2(GREEN)
5	PURPLE	1(RED)+3(AMBER)
6	CYAN	2(GREEN)+3(AMBER)
7	WHITE	1(RED)+2(GREEN)+3(AMBER)

## Parts Definition/ Bracket Adjustment

### Parts Definition



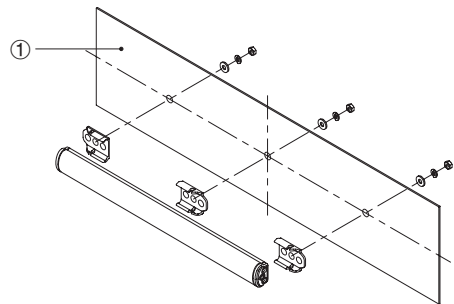
### Bracket Adjustment

- Mounting brackets are removable with special sliding structure that allows easy adjustment of distance between the two mounting brackets.
- Number of mounting brackets per unit varies depending on product length.

## Installation/ Mounting Hole Specifications

### Installation

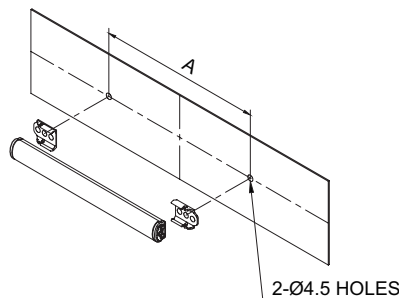
- First, machine taps or holes on the mounting surface ①.
- The mounting hole of this product is 4.5mm in diameter.
- When machining taps, fasten the bolt through the mounting hole of the product.
- When machining holes, insert the bolt through the hole of the product, and tighten the nut from the opposite side of the mounting surface.
- Install flat washer and spring washer when fastening bolt and nut.
- To secure the product to brackets, place the products to brackets and push it lightly until it makes "clark" sound.



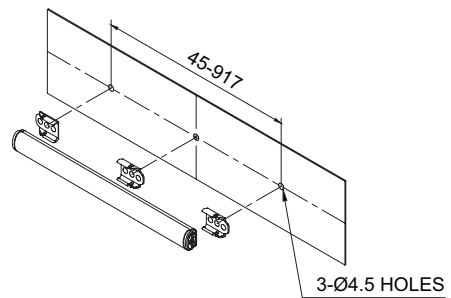
### Mounting Hole Specifications

- Machine holes on the mounting surface referring to the diagram below.

MODEL	A
QCML-200-7C	45-217
QCML-300-7C	45-317
QCML-400-7C	45-417
QCML-500-7C	45-517
QCML-600-7C	45-617

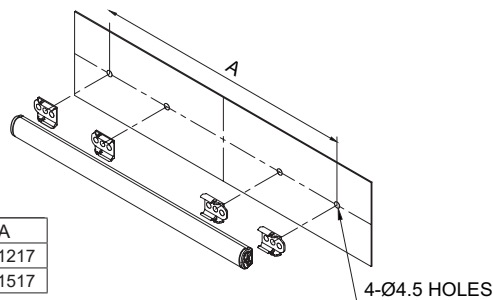


QCML-200/ 300/ 400/ 500-7C



QCML-900-7C

MODEL	A
QCML-1200-7C	45-1217
QCML-1500-7C	45-1517



QCML-1200/ 1500-7C

## Installation Environment and Protection Rating

- This product is designed for use with protection rating of IP67/ IP69K.
- If the product is installed in locations that subject it to excessive dust or water other than the designated IP protection rating indicated(IP67/IP69K), it may cause malfunction or damage to the product.
- For further information, please visit our website([www.qlight.com](http://www.qlight.com)).



For your safety

Specification and dimensions listed in this catalogue subject to change without notice for product quality improvement.  
The newest product information is available on our website.(www.qlight.com)  
Please read the instruction manual attached to the product carefully before installation and use.

*Qlight Co., Ltd. www.qlight.com | trade@qlight.com*

Head Office | Suite #1510, STX-V Tower, 128 Gasan digital 1-ro, Geumcheon-gu, Seoul, Korea

Tel. +82-2-2679-6152(Toll free. +82-80-328-2222) Fax. +82-2-2679-6154

Factory | 185-25, Mukbang-ro, Sangdong-myeon, Gimhae-si, Gyeongsangnamdo, Korea Tel. +82-55-328-1111(Toll free. +82-80-328-1111)

Qlight OverSEAs Sales Dept | 704 Nakdong-daero, Sasang-gu, Busan, Korea(Eomgung-Dong) Tel : +82-51-620-4100

Qlight Public Relations & Marketing Team Office | 704 Nakdong-daero, Sasang-gu, Busan, Korea(Eomgung-Dong) Tel. +82-51-245-0017

---

*Qlight USA, Inc. www.qlight.com www.qlightusa.com | sales@qlightusa.com*

3003 North First Street, Suite #341, San Jose, CA 95134 USA Tel. +1-408-519-5740 Fax. +1-408-519-5739

---

*SHANGHAI Qlight Electronic Co., Ltd. www.qlight.com www.qlightcn.com | qlightcn@qlight.com*

China Factory/ Shanghai Sales Office | #19, Nanda Road, Baoshan Area, Shanghai, China Tel. +86-21-6651-7100 Fax. +86-21-6315-3929

China Factory Site 2 (Qidong) | #33, Haiyan Road, Qidong High-tech Industrial Development Zone, Qidong, Jiangsu Province, China

Tel +86-513-8384-9999 Fax +86-513-8384-9910

**Qlightec**

Innovation in Alarm & Signal

Product Operation Inquiry / Customer Support +82-51-620-4100

You can expect prompt service if you have exact information such as model name, symptom, telephone number and address.

※ ALL PRODUCT, PRODUCT SPECIFICATIONS AND DATA ARE SUBJECT TO CHANGE WITHOUT NOTICE TO IMPROVE RELIABILITY, FUNCTION OR DESIGN OR OTHERWISE.

Head office : Suite #1510, STX-V Tower, 128 Gasan digital 1-ro, Geumcheon-gu, Seoul, Korea (Postal Code : 08507)

Factory : 185-25, Mukbang-Ro, Sangdong-Myeon, Gimhae-Si, Gyeongsangnam-Do, Korea (Postal Code : 50805)

www.qlight.com

EN - QCML-7C-24 - 2106A