

LED Work Lights for Industrial Purpose Specification List



Model number(series)	QCML-200/ 300/ 400/ 500/ 600/ 900/ 1200/ 1500	QCMLC-200/ 300/ 400/ 500/ 600/ 900/ 1200/ 1500	QGL-200/ 300/ 400/ 500	QGLC-200/ 300/ 400/ 500
Voltage	DC24V	DC24V	DC24V, AC110V, AC220V	DC24V, AC110V, AC220V
Consumption of electrical power	5.5-28W	5.5-28W	4-12W	4-12W
Dimension (mm)	Length	257-1,557	200-500	200-500
	Width	33	38.4	38.4
	Height	26	26	33.6
Material	Lens : PC, Side cover : PC	Lens : PC, Side cover : PC	Lens : PC, Side cover : ABS	Lens : PC, Side cover : ABS
Lens color	Translucent	Transparent	Translucent	Transparent
Lamp color	Cooldaylight, Warm white, Red, Amber	Cooldaylight, Warm white, Red, Amber	Cooldaylight	Cooldaylight
Intensity of illumination(at 1m)	85-550Lux	100-600Lux	70-300Lux	85-370Lux
Mounting	Mount bracket	Mount bracket	Mount bracket	Mount bracket
Protection rating	IP67/ IP69K	IP67/ IP69K	Non Water-proof	Non Water-proof
Certificate	CE	CE	CE	CE
Customization				
Page	P434-435	P434-435	P436-437	P436-437



Warning/
Signal/
Stackable



Signal &
Electric Horn/
Speakers



Vessels and
Heavy-Duty
Equipment



Explosion
Proof



Warning
Light Bar



Model number(series)	QEL-200/ 300/ 400/ 500	QELT-200/ 300/ 400/ 500	QELS-200/ 300/ 400/ 500	QELTS-200/ 300/ 400/ 500	
Voltage	DC24V, AC110V, AC220V	DC24V, AC110V, AC220V	DC24V, AC110V, AC220V	DC24V, AC110V, AC220V	
Consumption of electrical power	3.5-8.5 W	3.5-8.5W	3.5-8.5W	3.5-8.5W	
Dimension (mm)	Length	220-520	249-549	249-549	278-578
	Width	34.6	34.6	34.6	34.6
	Height	30.7	30.7	33.1	33.1
Material	Lens : PC, Side cover : ABS	Lens : PC, Side cover : ABS	Lens : PC, Side cover : ABS	Lens : PC, Side cover : ABS	
Lens color	Translucent	Translucent	Translucent	Translucent	
Lamp color	Cooldaylight	Cooldaylight	Cooldaylight	Cooldaylight	
Intensity of illumination(at 1m)	80-200Lux	80-200Lux	80-200Lux	80-200Lux	
Mounting	Mount bracket	Mount bracket	Mount bracket	Mount bracket	
Protection rating	Non Water-proof	Non Water-proof	Non Water-proof	Non Water-proof	
Certificate	CE, KC	CE	CE, KC	CE	
Customization					
Page	P438-440	P438-440	P438-440	P438-440	



Aviation
Obstruction
Lights



Signal Tower
Lights



USB/ETN
Signal Tower
Lights



Wireless
Network
System



Electric Horn/
Speakers



Industrial
LED Lights

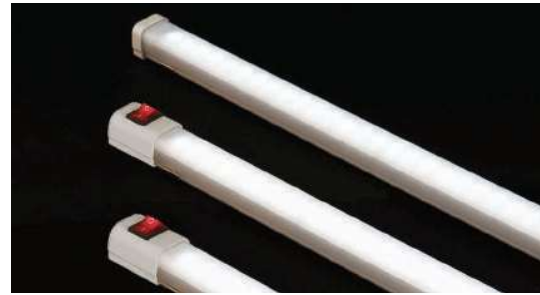
QEL/ QELT/ QELS/ QELTS

LED Light Bars for Distribution Panel



Common Specifications(QEL/ QELT/ QELS/ QELTS)

- Wide direct light distribution for high illumination in the distribution panel
- Options for operation are power line threading type, terminal box equipped type, on-off switch equipped type
- LED direct AC connect system, no need other power device
- Adopts constant current circuit for stable illumination in unstable power
- 4 kinds of products length 200/300/400/500mm for each condition
- Removable mount bracket that adjust mount distance
- Certificates : CE, KC Compliant



QEL External Power Line



QELT Terminal Box Equipped



QELS External Power Line, Switch Equipped



QELTS Terminal Box Equipped, Switch Equipped



Optics Specifications

Model	QEL-200/ QELT-200 QELS-200/ QELTS-200	QEL-300/ QELT-300 QELS-300/ QELTS-300	QEL-400/ QELT-400 QELS-400/ QELTS-400	QEL-500/ QELT-500 QELS-500/ QELTS-500
Lens color	Translucent	Translucent	Translucent	Translucent
Light color	Cooldaylight			
Color temperature	6,000-7,000K			
Luminous flux	DC	254lm	383lm	509lm
	AC	268lm	384lm	479lm
Efficacy (lm/W)	DC	93Lux	105Lux	165Lux
	AC	77Lux	100Lux	145Lux

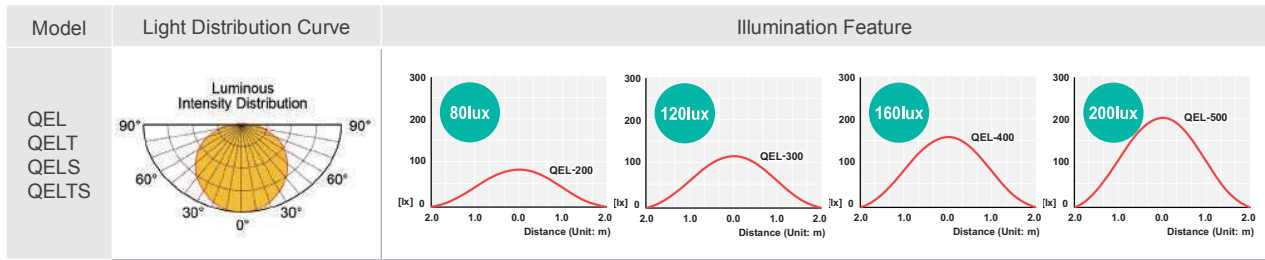
Specifications

Model	QEL-200/ QELT-200 QELS-200/ QELTS-200	QEL-300/ QELT-300 QELS-300/ QELTS-300	QEL-400/ QELT-400 QELS-400/ QELTS-400	QEL-500/ QELT-500 QELS-500/ QELTS-500
Voltage	DC24V	DC24V	DC24V	DC24V
	AC110V/AC220V	AC110V/AC220V	AC110V/AC220V	AC110V/AC220V
Range for operation voltage	DC21.5V-26.5V / AC98V-121V / AC198V-245V			
Current	0.138A	0.205A	0.290A	0.369A
	0.024A / 0.091A	0.028A / 0.097A	0.039A / 0.105A	0.047A / 0.110A
Power consumption	3.5W	5W	7W	9W
	2.5W / 20W	3W / 21.5W	4.5W / 23W	5W / 24W
Insulation resistance	Min. 100MΩ(500V DC mega ohm meter)			
Withstanding voltage	DC : 500V AC, 60Hz, 1 minute / AC : 1,500V AC, 60Hz, 1 minute			
Operating temperature	-30°C to +50°C			
Protection rating	Non waterproof			
Materials	Lens : PC, Side cover : ABS, Bracket : STS201			
Certificate	CE DC only AC only			
Weight(Approx.)	0.08kg	0.10kg	0.13kg	0.15kg
	0.10kg	0.12kg	0.15kg	0.17kg

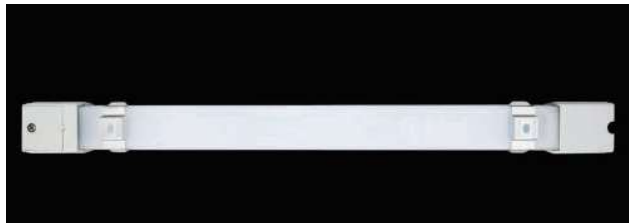
QEL/ QELT/ QELS/ QELTS

LED Light Bars for Distribution Panel

Light Distribution and Luminance



Mounting Bracket

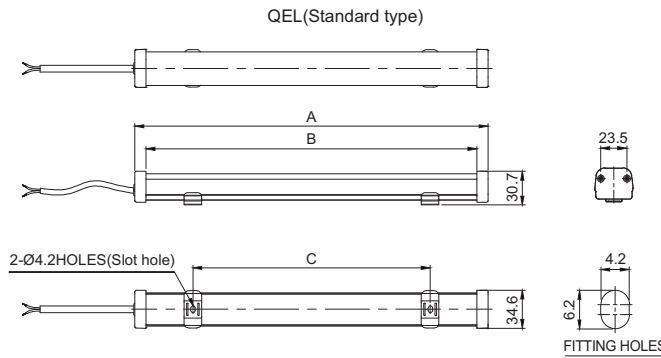


※ Adopts removable mounting bracket and sliding structure, adjustable mounting distance. ※ Standard bracket : STS201(2pcs included)



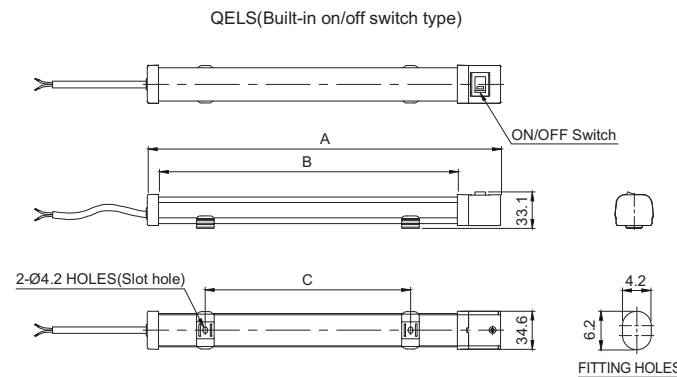
Technical Diagram

(Units : mm)



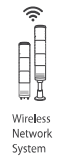
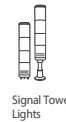
MODEL	A	B	C
QEL-200	220	200	16-170
QEL-300	320	300	16-270
QEL-400	420	400	16-370
QEL-500	520	500	16-470

※ External power line : DC TYPE - UL2464 AWG22(0.3sq×2C) 450mm
AC TYPE - VCTFK(0.75sq×2C) 450mm



MODEL	A	B	C
QELS-200	249	200	16-170
QELS-300	349	300	16-270
QELS-400	449	400	16-370
QELS-500	549	500	16-470

※ External power line : DC TYPE - UL2464 AWG22(0.3sq×2C) 450mm
AC TYPE - VCTFK(0.75sq×2C) 450mm



QEL/ QELT/ QELS/ QELTS

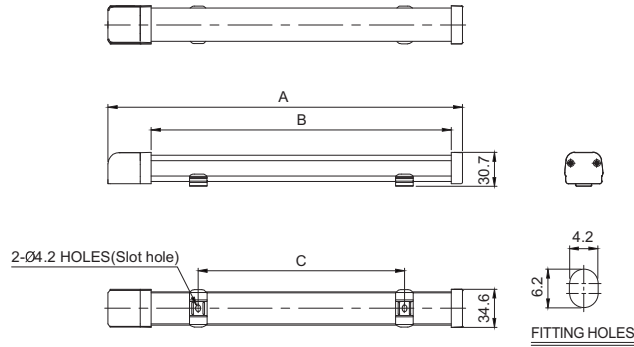
LED Light Bars for Distribution Panel



Technical Diagram

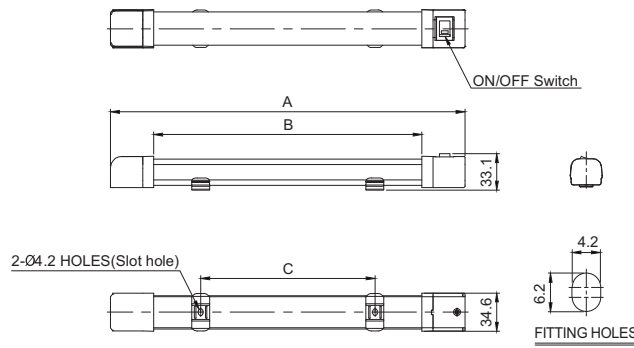
(Units : mm)

QELT(Built-in terminal type)



MODEL	A	B	C
QELT-200	249	200	16-170
QELT-300	349	300	16-270
QELT-400	449	400	16-370
QELT-500	549	500	16-470

QELTS(Built-in on/off switch and terminal type)



MODEL	A	B	C
QELTS-200	278	200	16-170
QELTS-300	378	300	16-270
QELTS-400	478	400	16-370
QELTS-500	578	500	16-470



Ordering Specification

QEL	-	300	-	220
[Model number]		[Product length]		[Voltage]
<ul style="list-style-type: none"> • QEL : External power line • QELT : Terminal box equipped • QELS : External power line, Switch equipped • QELTS : Terminal box, Switch equipped 		<ul style="list-style-type: none"> • 200 : 200mm • 300 : 300mm • 400 : 400mm • 500 : 500mm 		<ul style="list-style-type: none"> • 24-DC24V • 110-AC110V • 220-AC220V