

# QMFL-300-Ex-24

Non Sparking LED work light



## QMFL-300-Ex-24 Non Sparking LED work light

- Water, vibration and oil resistant LED work lights with non sparking ex-proof feature
- Special epoxy sealed structure provides excellent oil resistance
- Aluminum housing and tempered glass improves durability and stability in hazardous areas(Explosive zone)
- Can be used for Zone 2 application with explosion proof rating of nR
- Materials : Housing - Al, Side cover- Al,  
Lens - Tempered glass, Bracket - SPC1
- Certificates : KCs, NEPSI
- Protection rating : Ex nR II T6, Ex nR IIC T6 Gc, IP67/ IP69K
- Ambient operating temperature : -40°C ≤ Tamb ≤ +60°C

### Specifications

#### Optics Specifications

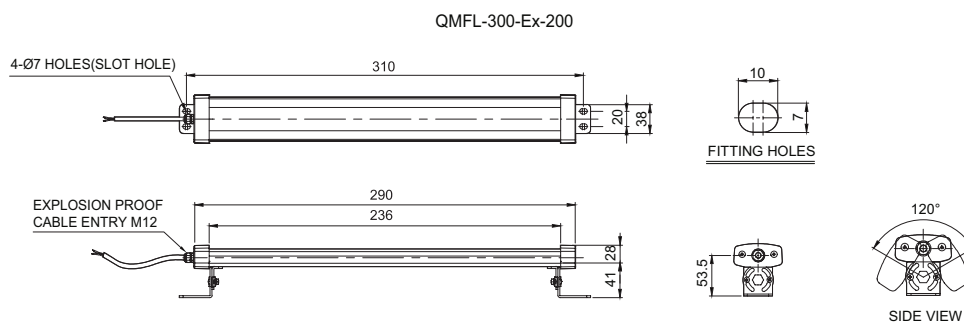
Model	QMFL-300-Ex-24	
Lens color	Translucent	
Light color	Cooldaylight	
Color temperature	6,000-7,000K	
Luminous flux	DC	510lm
Illumination (at 1m)	DC	260lux

#### Specifications

Voltage	DC24V	
Range of operation voltage	DC21.5V-26.5V	
Power consumption	10W	
Insulation resistance	Min. 100MΩ(500V DC mega ohm meter)	
Withstanding voltage	DC : 500V AC, 60Hz, 1 minute	
Operating temperature	-40°C to +60°C	
Protection rating	IP67/ IP69K	
Materials	Housing : Al, Side cover : Al, Lens : Tempered glass, Bracket : SPC-1	
Certificates		
Weight(Approx.)	0.79kg	

### Technical Diagram

(Units : mm)



※ External power line : Dura & Flex-F VU(0.5sq×2C) 450mm

### Ordering Specification

<b>QMFL</b>	-	<b>300</b>	-	<b>Ex</b>	-	<b>24</b>
[Model number]		[Product length]		[Ex-proof]		[Voltage]
• QMFL : Anti glare type		• 300 : 290mm		• Ex : Non sparking ex-proof type		• 24-DC24V



Cautions in use of explosion proof LED work lights

- Contact structure of an explosion proof product must be a qualified part we provide. Please do not disassemble, assemble, modify or repair arbitrarily.