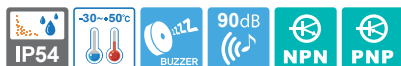


# QT50ML-BZ

## Ø50mm Built-in Buzzer Modular LED Tower Lights

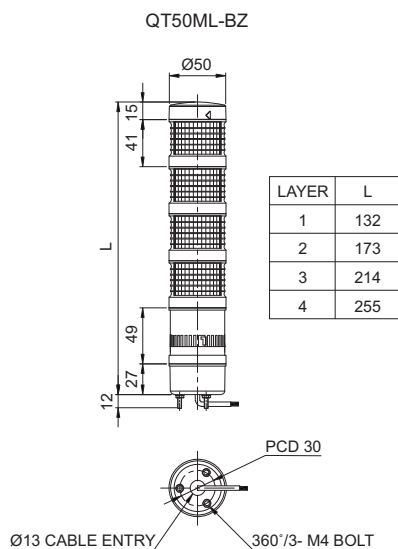


### Color Options:

Beige color is available



### Technical Diagram (Units : mm)



## QT50ML-BZ Ø50mm Built-in Buzzer Modular LED Tower Lights, Direct Mount

Product that consist of signal lights module, base module, buzzer module



### Specifications

| Model number                          | Layer  | Voltage | Current | Certificates                                  | Weight | Color                             |
|---------------------------------------|--------|---------|---------|---|--------|-----------------------------------|
| QT50ML-BZ<br>QT50MLF-BZ<br>(Max 90dB) | 1      | DC12V   | 0.105A  | CE<br>DC24V,<br>AC220V<br>only                | 0.17kg | ● R-Red                           |
|                                       |        | DC24V   | 0.080A  |   | 0.17kg |                                   |
|                                       |        | AC110V  | 0.110A  |   | 0.18kg |                                   |
|                                       |        | AC220V  | 0.110A  |   | 0.18kg |                                   |
|                                       | 2      | DC12V   | 0.195A  |   | 0.21kg | ● R-Red<br>● G-Green              |
|                                       |        | DC24V   | 0.130A  |   | 0.21kg |                                   |
|                                       |        | AC110V  | 0.130A  |   | 0.22kg |                                   |
|                                       |        | AC220V  | 0.130A  |   | 0.22kg |                                   |
|                                       | 3      | DC12V   | 0.285A  |   | 0.25kg | ● R-Red<br>● A-Amber<br>● G-Green |
|                                       |        | DC24V   | 0.180A  |   | 0.25kg |                                   |
|                                       |        | AC110V  | 0.150A  |   | 0.26kg |                                   |
|                                       |        | AC220V  | 0.150A  |   | 0.26kg |                                   |
| 4                                     | DC12V  | 0.375A  | 0.30kg  | ● R-Red<br>● A-Amber<br>● G-Green<br>● B-Blue |        |                                   |
|                                       | DC24V  | 0.230A  | 0.30kg  |   |        |                                   |
|                                       | AC110V | 0.170A  | 0.31kg  |   |        |                                   |
|                                       | AC220V | 0.170A  | 0.31kg  |   |        |                                   |

QT50L Steady Module + Base Module(BS) + Buzzer(BZ)  
 QT50LF Steady/Flashing Module

\* Please refer to page 338-341 for detailed specification of module.



### Wiring Instructions

- LED tower light can be wired with external contact and transistor
- \* Please refer to page 358 for detailed information about the wiring instructions.



### Customization

- Beige color
- LED strobe(model number : QT50MLS-BZ)
- LED simulated revolving(model number : QT50MLR-BZ)
- Wall mount bracket :  
Bracket Structure allows for threading through the bracket hole or into the wall mount



### Ordering Specification

|                             |   |   |   |  |   |   |
|-----------------------------|---|---|---|--|---|---|
| <b>QT50ML-BZ</b>            | - | <b>3</b>  | - | <b>220</b>   | - | <b>RAG</b>                                    |
| [Model number]              |   | [Layer]   |   | [Voltage]  |   | [Color]                                       |
| • QT50ML-BZ<br>• QT50MLF-BZ |   | • 1-1Layer<br>• 2-2Layers<br>• 3-3Layers<br>• 4-4Layers |   | • 12-DC12V<br>• 24-DC24V<br>• 110-AC110V<br>• 220-AC220V |   | • R-Red<br>• A-Amber<br>• G-Green<br>• B-Blue |



Warning/  
Signal/  
Stackable



Signal &  
Electric Horn/  
Speakers



Vessels and  
Heavy-Duty  
Equipment



Explosion  
Proof



Warning  
Light Bar



Aviation  
Obstruction  
Lights



Signal Tower  
Lights



USB/ETN  
Signal Tower  
Lights



Wireless  
Network  
System



Electric Horn/  
Speakers



Industrial  
LED Lights