

References for Signal Tower Lights

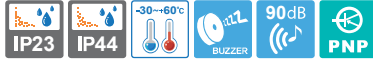
Multiple Color LED Signal Tower Lights

Model number(series)		STC45ML	STC45L	STC56ML	STC56L	QT56MCL
Dimension (mm)	Voltage	AC/DC12V, AC/DC24V AC110V, AC220V	AC/DC12V, AC/DC24V AC110V, AC220V	AC/DC12V, AC/DC24V AC110V, AC220V	AC/DC12V, AC/DC24V AC110V, AC220V	DC24V
	Diameter	Ø45	Ø45	Ø56	Ø56	Ø45
	Height	106-198	320-412	157-287	371-501	276
	Depth					
Materials		Lens-AS Housing-ABS	Lens-AS Housing-ABS	Lens-AS Housing-ABS	Lens-AS Housing-ABS	Lens-PC Housing-AI
Layers		2-3 Colors	2-3 Colors	2-3 Colors	2-3 Colors	7 Colors
Light source & Operation	Bulb Steady/Flashing					
	LED Steady					•
	LED Steady/Flashing	•	•	•	•	
	LED Strobe					
Sound & Volume	LED Simulated revolving					
	1 buzzer sound	Max 90dB at 1m	Max 90dB at 1m	Max 90dB at 1m	Max 90dB at 1m	Max 90dB at 1m
	5 signal sounds					
Layer color change						
Mount bracket		Direct mount	Pole mount	Direct mount	Pole mount	Pole mount
Bracket		TWS45, TWA45	LB18, LW18, QZ18, SZ18, QL18, SL18, QLA18	TWS45, TWA45	LB18, LW18, QZ18, SZ18, QL18, SL18, QLA18	-
Protection rating		IP23(Buzzer type), IP44(Standard)	IP23(Buzzer type), IP44(Standard)	IP23(Buzzer type), IP44(Standard)	IP23(Buzzer type), IP44(Standard)	IP23(Buzzer type), IP44(Standard)
Certificates		CE	CE	CE	CE	CE
Customization		2 buzzer sounds, Wall mount bracket	2 buzzer sounds, Pole length adjustment	2 buzzer sounds, Lens length 40mm, Wall mount Bracket	2 buzzer sounds, Lens length 40mm, Pole length adjustment	-
Transistor		NPN/ PNP type	NPN/ PNP type	NPN/ PNP type	NPN/ PNP type	NPN/ PNP type
Page		P284	P285	P286	P287	P289

Model number(series)		STG40ML	STG40L	STG50ML	STG50L	MWTL
Dimension (mm)	Voltage	AC/DC12V, AC/DC24V AC110V-220V	AC/DC12V, AC/DC24V AC110V-220V	AC/DC12V, AC/DC24V AC110V-220V	AC/DC12V, AC/DC24V AC110V-220V	DC24V
	Diameter	Ø40	Ø40	Ø50	Ø50	Ø90(Half)
	Height	111-339	339-567	106-314	334-542	216
	Depth					39
Materials		Lens-AS Housing-ABS	Lens-AS Housing-ABS	Lens-AS Housing-ABS	Lens-AS Housing-ABS	Lens-AS Housing-ABS
Layers		1-5 Layers	1-5 Layers	1-5 Layers	1-5 Layers	4-4 Layers
Light source & Operation	Bulb Steady/Flashing					
	LED Steady					•
	LED Steady/Flashing	•	•	•	•	
	LED Strobe					
Sound & Volume	LED Simulated revolving					
	1 buzzer sound	Max 85dB at 1m	Max 85dB at 1m	Max 85dB at 1m	Max 85dB at 1m	Max 90dB at 1m
	5 signal sounds					
Layer color change		Yes	Yes	Yes	Yes	No
Mount bracket		Direct mount	Pole mount	Direct mount	Pole mount	Wall mount
Bracket		TWS45, TWA45	LB18, LW18, QZ18, SZ18, QL18, SL18, QLA18	TWS45, TWA45	LB18, LW18, QZ18, SZ18, QL18, SL18, QLA18	-
Protection rating		IP54(Buzzer type), IP65(Standard)	IP54(Buzzer type), IP65(Standard)	IP54(Buzzer type), IP65(Standard)	IP54(Buzzer type), IP65(Standard)	IP55
Certificates		CE, UL	CE, UL	CE, UL	CE, UL	CE
Customization		Wall mount bracket, 2 buzzer sounds	2 buzzer sounds, Pole length adjustment	Wall mount bracket, 2 buzzer sounds	2 buzzer sounds, Pole length adjustment	2 buzzer sounds, Transparent filter lens
Transistor		NPN/ PNP type	NPN/ PNP type	NPN/ PNP type	NPN/ PNP type	NPN/ PNP type
Page		P310	P311	P312	P313	P273

QT56MCL

LED Steady Tower Lights



Signal light that can be configured with 7 colors in 1 tower light

QT56MCL LED Steady

QT56MCL-BZ Built-in Buzzer LED Steady



QT56MCL series

Built-in buzzer output holes formed on the housing of the product.



QT56MCL Multiple Color LED Steady

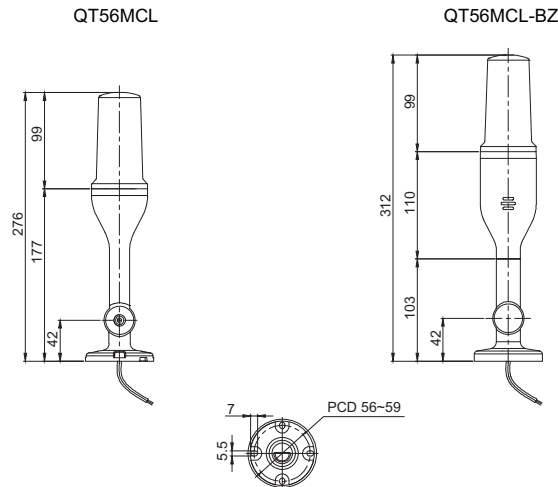
- Helps reduce the costs of installation by reducing the space needed to emit seven color signals in a single warning light
- Elegant design with hexagon shaped metal housing
- Aluminum housing provides excellent durability
- Soft LED illuminates designated colors when on
- When off, milky translucent color lens provides a comfortable and stable viewing condition for workers in close proximity
- Folding type mount bracket can be utilized in various environments
- Built-in buzzer available (Volume : Max 90dB at 1m)
- Materials : Lens-PC, Housing-Al, Mounting bracket-Al
- Ambient operating temperature : -30°C to +60°C
- Protection rating : Standard type-IP44, Built-in Buzzer type-IP23

Model number	Voltage	Current	Certificates	Weight	Color
QT56MCL Steady	DC24V	0.08A	CE	0.45kg	7 Colors
QT56MCL-BZ Steady /w built-in buzzer				0.48kg	

Signal/ Audible line current(Per each layer)

Voltage	DC24V
Signal line current	0.060A
Audible line current	0.020A

Technical Diagram (Units : mm)



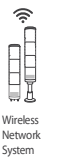
Wiring Instructions

- External signal line standard : Signal line 4P(R,G,B,K) threading, signal line standard UL1007 AWG22(0.3sq) 400mm
- Please refer to Wiring Instructions diagram to properly configure color options

* Please refer to page 281 for detailed wiring instructions.

Ordering Specification

QT56MCL [Model number]	-	24 [Voltage]
• QT56MCL • QT56MCL-BZ		• 24-DC24V



QT56MCL

LED Steady Tower Lights

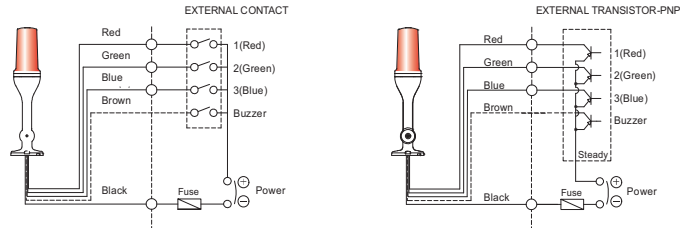


Wiring Instructions

- QT56MCL can be wired by using both external contact and transistor.
- When wiring with transistor, please make sure to use PNP transistor and follow the wiring instructions in the diagram below.



QT56MCL



< Wiring Configuration for Signal Color >

No.	Signal color	Wiring configuration
1	RED	1(RED)
2	GREEN	2(GREEN)
3	BLUE	3(BLUE)
4	AMBER	1(RED)+2(GREEN)
5	CYAN	2(GREEN)+3(BLUE)
6	PURPLE	1(RED)+3(BLUE)
7	WHITE	1(RED)+2(GREEN)+3(BLUE)

- External signal line standard : Signal line 4P(R,G,B,K) threading, signal line standard UL1007 AWG22(0.3sq) 400mm

Signal Color Options



- **7 Color modes available via wiring**

You can configure seven color signals by combining the 4 signal wires (red, green, blue, black) attached to the tower light.