

Separate Color Filter Lens Inside the Outer Lens Helps to Provide a Clear Signal



Common Specifications(QTC50/ QTC60/ QTC70)

- Modular LED steady/flashing signal tower lights
- Added a separate color filter lens inside the outer lens to help provide a clear signal
- Can select from size selections of Ø50mm, Ø60mm and Ø70mm to fit your sophisticated application needs
- The addition of modules and change in color arrangement can be achieved without the use of tools by using the Lock-type structure
- QTCA type offers a nifty integrated lens and cover for a simple aesthetically pleasing product
- When it is turned off the milky color filter provides comfortable viewing at close proximity for the operator
- A variety of mounting bracket selections for the pole mount type to fit your location and mounting needs
- Built-in buzzer available : Volume of Max 85dB at 1m
- Available in customized 2 sound buzzer type and high volume(105dB) buzzer type
- Can be used with NPN open collector transistor driven input, which allows direct connection to a PLC
- Flashing rate : 60-80 flashes/min
- Materials : Lens-PC, Filter lens : PC, Housing-ABS, Pole-Al
- Ambient operating temperature : -30°C to +50°C
- Protection rating : Standard type-IP65, Built-in buzzer type-IP54
- Certificates : CE Compliant, UL Listed
- Compliant with RoHS directive



• Each modular color lens can be added without additional tools

QTC model uses a special contact structure for stable operation, the lens modules lock into place by rotating the modular structures together. This allows for easy changes to the color arrangement without any tools. Additional modules can be added.



• QTC Series Special Lens

QTC Series added a separate color filter lens inside the outer lens to help provide a clear signal.

• Buzzer volume is adjusted via the volume control lever

QTC type volume can be adjusted for each specific working condition with the equipped buzzer volume control lever at the bottom of the product.(-BZ type)

1 High volume buzzer (105dB) option can be fitted to the top of the product. (Customization)

High volume 105dB volume buzzer module fastened to the top of the product provides 360 degree buzzer signal output which cannot be achieved with the single directional buzzer.(Buzzer volume cannot be adjusted)

2 Integrated cover and lens model (QTCA50/ QTCA60/ QTCA70)

The sleek body cover and lens model is made of one piece for a simple unified look.

3 Black housing option available

Products can be configured with the black housing and cover option. In addition, the buzzer option is also available in a black color housing and buzzer.

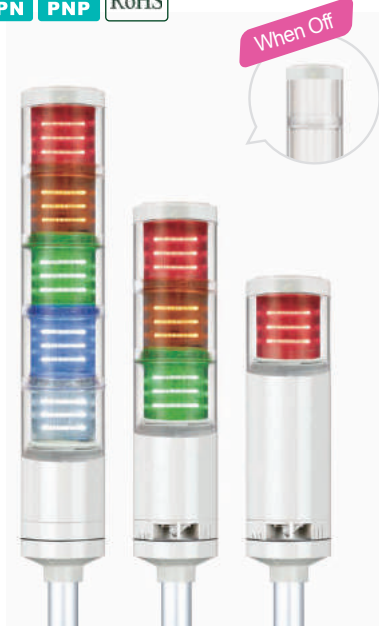
4 Can select from a variety of mounting brackets option to fit your application needs and build environment

There are a variety of mounting options brackets available depending on cost and installation requirements.

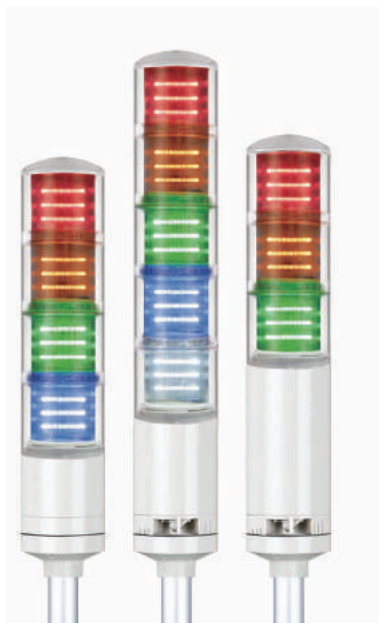


QTC60L

Ø60mm LED Steady/Flashing Tower Lights



QTC60L series



QTCA60L series

• Customization



- High buzzer module equipped on top/ Black housing tower lights.

QTC60L Ø60mm Pole Mount, LED Steady/Flashing Type

Model number	Layer	Voltage	Current	Certificates	Weight	Color	
QTC60L Steady	1	AC/DC12V	0.100A	 DC24V only	0.43kg	• R-Red	
QTC60L-BZ Steady /w built-in buzzer		AC/DC24V	0.070A		0.43kg		
QTC60LF Steady/Flashing		AC110V-220V	Max. 0.055A		0.53kg		
QTC60LF-BZ Steady/Flashing /w built-in buzzer	2	AC/DC12V	0.200A		 DC24V only	0.52kg	• R-Red • G-Green
QTC60LF Steady/Flashing		AC/DC24V	0.140A			0.52kg	
QTC60LF-BZ Steady/Flashing /w built-in buzzer		AC110V-220V	Max. 0.075A	0.62kg			
QTCA60L Steady	3	AC/DC12V	0.300A	 DC24V only		0.60kg	• R-Red • A-Amber • G-Green
QTCA60L-BZ Steady /w built-in buzzer		AC/DC24V	0.210A			0.60kg	
QTCA60LF Steady/Flashing		AC110V-220V	Max. 0.095A		0.70kg		
QTCA60LF-BZ Steady/Flashing /w built-in buzzer	4	AC/DC12V	0.400A		 DC24V only	0.69kg	• R-Red • A-Amber • G-Green • B-Blue
QTCA60LF Steady/Flashing		AC/DC24V	0.280A			0.69kg	
QTCA60LF-BZ Steady/Flashing /w built-in buzzer		AC110V-220V	Max. 0.115A	0.79kg			
QTC60L Steady	5	AC/DC12V	0.500A	 DC24V only		0.77kg	• R-Red • A-Amber • G-Green • B-Blue • W-White
QTC60L-BZ Steady /w built-in buzzer		AC/DC24V	0.350A			0.77kg	
QTC60LF Steady/Flashing /w built-in buzzer		AC110V-220V	Max. 0.135A		0.87kg		

※ AC type model has a free-voltage range of 100V-240V.

Wiring Instructions

- External power line standard : UL1015 AWG18(0.75sq)×2C 400mm
 - Signal line standard : UL1007 AWG22(0.3sq) 400mm
 - LED tower light can be wiring with external contact and transistor
- ※ Please refer to page 331-332 for detailed wiring instructions.

Mounting Bracket

Standard	LB18	LW18	QZ18	SZ18	QL18	SL18	QLA18
Steel	Steel	PC	PC	Al	PC	Al	PC

※ Please refer to page 34-39 for detailed dimensions.

Customization

- 2 buzzer sound types : Both prolonged (beep, beep) and staccato (beep, beep) buzzer output available
- Customized pole length available
- High buzzer module equipped on top(Lens should be within 4 layers)
- Black housing tower lights

Ordering Specification

QTC60L	-	3	-	24	-	RAG	-	LW18
[Model number]		[Layer]		[Voltage]		[Color]		[Mounting bracket]
<ul style="list-style-type: none"> • QTC60L • QTC60L-BZ • QTC60LF • QTC60LF-BZ • QTCA60L • QTCA60L-BZ • QTCA60LF • QTCA60LF-BZ 		<ul style="list-style-type: none"> • 1-1Layer • 2-2Layers • 3-3Layers • 4-4Layers • 5-5Layers 		<ul style="list-style-type: none"> • 12-DC12V • 24-DC24V • 110/220 -AC110V-220V 		<ul style="list-style-type: none"> • R-Red • A-Amber • G-Green • B-Blue • W-White 		<ul style="list-style-type: none"> • None -Standard • Bracket -LB18 -LW18 -QZ18 -SZ18 -QL18 -SL18 -QLA18

QTC series

LED Steady/Flashing Tower Lights



Technical Diagram

(Units : mm)

QTC50ML : DC
QTC50MLF : DC
QTC50ML-BZ : DC

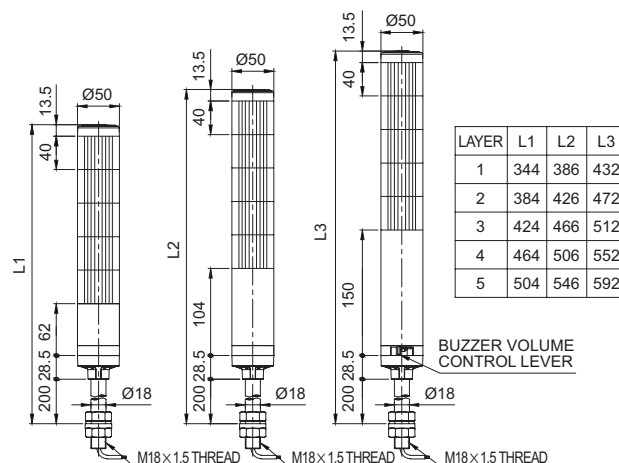
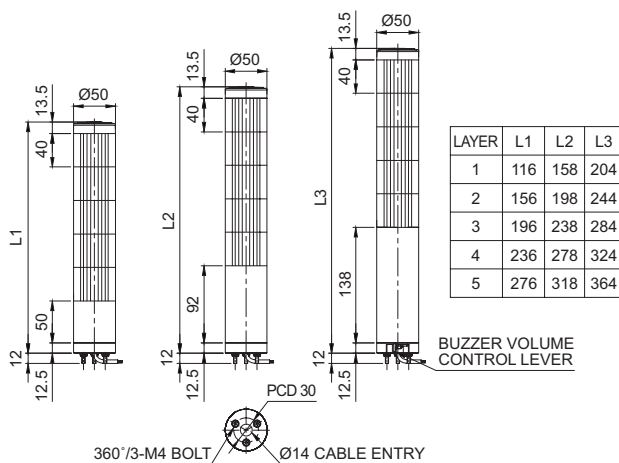
QTC50ML : AC
QTC50MLF-BZ : DC

QTC50MLF : AC
QTC50ML-BZ : AC
QTC50MLF-BZ : AC

QTC50L : DC
QTC50LF : DC
QTC50L-BZ : DC

QTC50L : AC
QTC50LF-BZ : DC

QTC50LF : AC
QTC50L-BZ : AC
QTC50LF-BZ : AC



QTC60ML : DC
QTC60MLF : DC
QTC60ML-BZ : DC

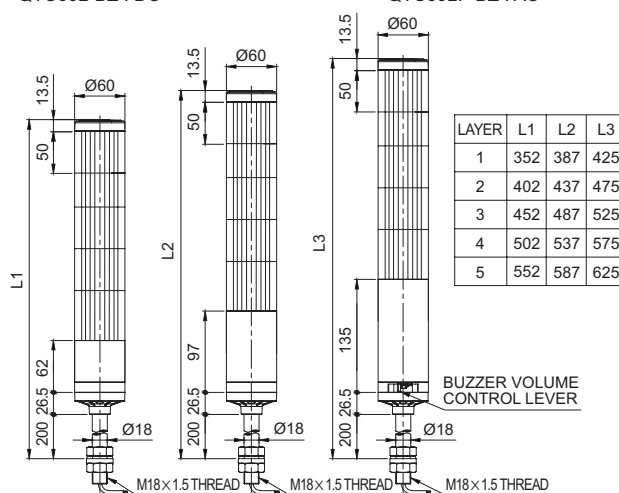
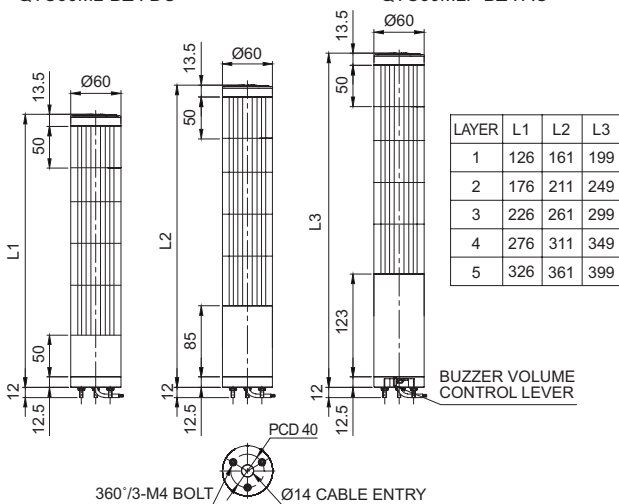
QTC60ML : AC
QTC60MLF-BZ : DC

QTC60MLF : AC
QTC60ML-BZ : AC
QTC60MLF-BZ : AC

QTC60L : DC
QTC60LF : DC
QTC60L-BZ : DC

QTC60L : AC
QTC60LF-BZ : DC

QTC60LF : AC
QTC60L-BZ : AC
QTC60LF-BZ : AC



QTC70ML : DC
QTC70MLF : DC
QTC70ML-BZ : DC

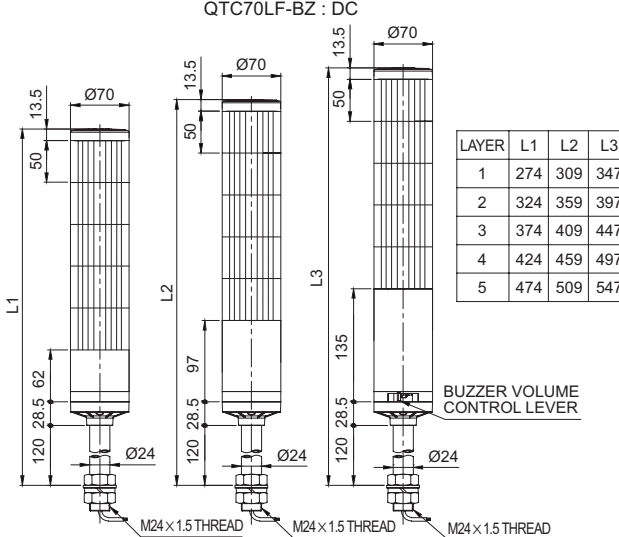
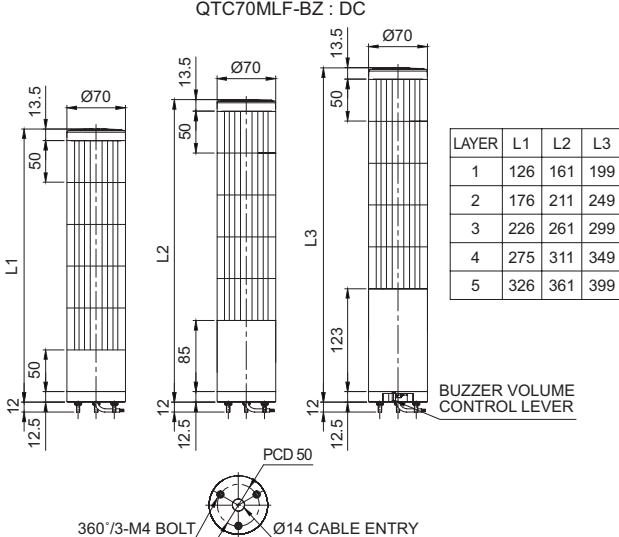
QTC70ML : AC
QTC70MLF : AC
QTC70ML-BZ : AC
QTC70MLF-BZ : DC

QTC70MLF-BZ : AC

QTC70L : DC
QTC70LF : DC
QTC70L-BZ : DC

QTC70L : AC
QTC70LF : AC
QTC70L-BZ : AC
QTC70LF-BZ : DC

QTC70LF-BZ : AC



Warning/
Signal/
Stackable



Signal &
Electric Horn/
Speakers



Vessels and
Heavy-Duty
Equipment



Explosion
Proof



Warning
Light Bar



Aviation
Obstruction
Lights



Signal Tower
Lights



USB/ETN
Signal Tower
Lights



Wireless
Network
System



Electric Horn/
Speakers



Industrial
LED Lights