

Accessories

R87F-FG Finger Guards

Ratings and Ordering Information

Size	Model number	Weight (g)
150 dia.	R87F-FG150	Approx. 58
120 x 120	R87F-FG120	Approx. 45
92 x 92	R87F-FG90	Approx. 25
80 x 80	R87F-FG80	Approx. 20

Applicable Axial Fans

Axial Fans	Model	Set model						
		Finger Guard			Contents			
		size	Qty	Model	Hexagonal nuts	Screws		
				size	Qty	size	Qty	
R87F-A□A83	R87F-SET8025	80 x 80	1	R87F-FG80	M4	4	M4 x L38	4
R87T-A□A83								
R87F-A□A85	R87F-SET8038	80 x 80	1	R87F-FG80	M4	4	M4 x L50	4
R87T-A□A85								
R87F-A□A93	R87F-SET9025	92 x 92	1	R87F-FG90	M4	3	M4 x L38	3
					M3	1	M3 x L38	1
R87F-A□A13	R87F-SET1225	120 x 120	1	R87F-FG120	M4	4	M4 x L38	4
R87F-A□A15	R87F-SET1238	120 x 120	1	R87F-FG120	M4	4	M4 x L50	4
R87T-A□A15								
R87T-A□A15H-WR								
R87T-A□A05	R87F-SET1538	150 dia.	1	R87F-FG150	M4	2	M4 x L50	2
R87T-A□A07	R87F-SET1555	150 dia.	1	R87F-FG150	M4	2	M4 x L70	2

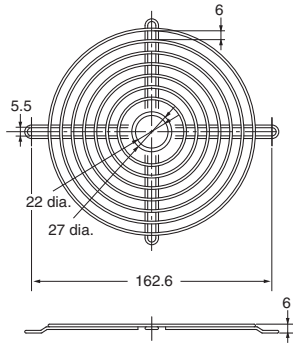
Note: Finger Guards reduce the flow rate by approximately 2% to 5%.

Dimensions

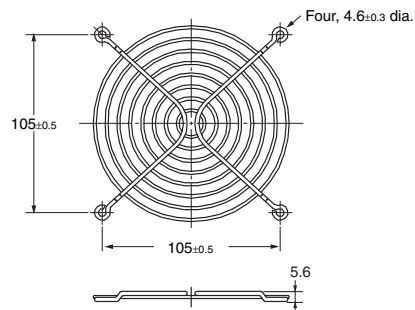
(Unit: mm)

Material: steel, Joints: spot welded, Surface: nickel-chrome plated

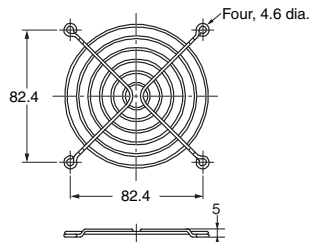
R87F-FG150



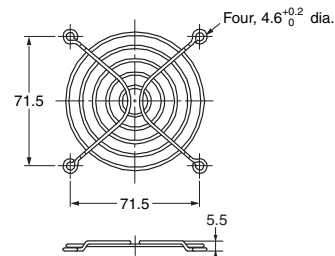
R87F-FG120



R87F-FG90



R87F-FG80



ALL DIMENSIONS SHOWN ARE IN MILLIMETERS.
To convert millimeters into inches, multiply by 0.03937. To convert grams into ounces, multiply by 0.03527.

In the interest of product improvement, specifications are subject to change without notice.