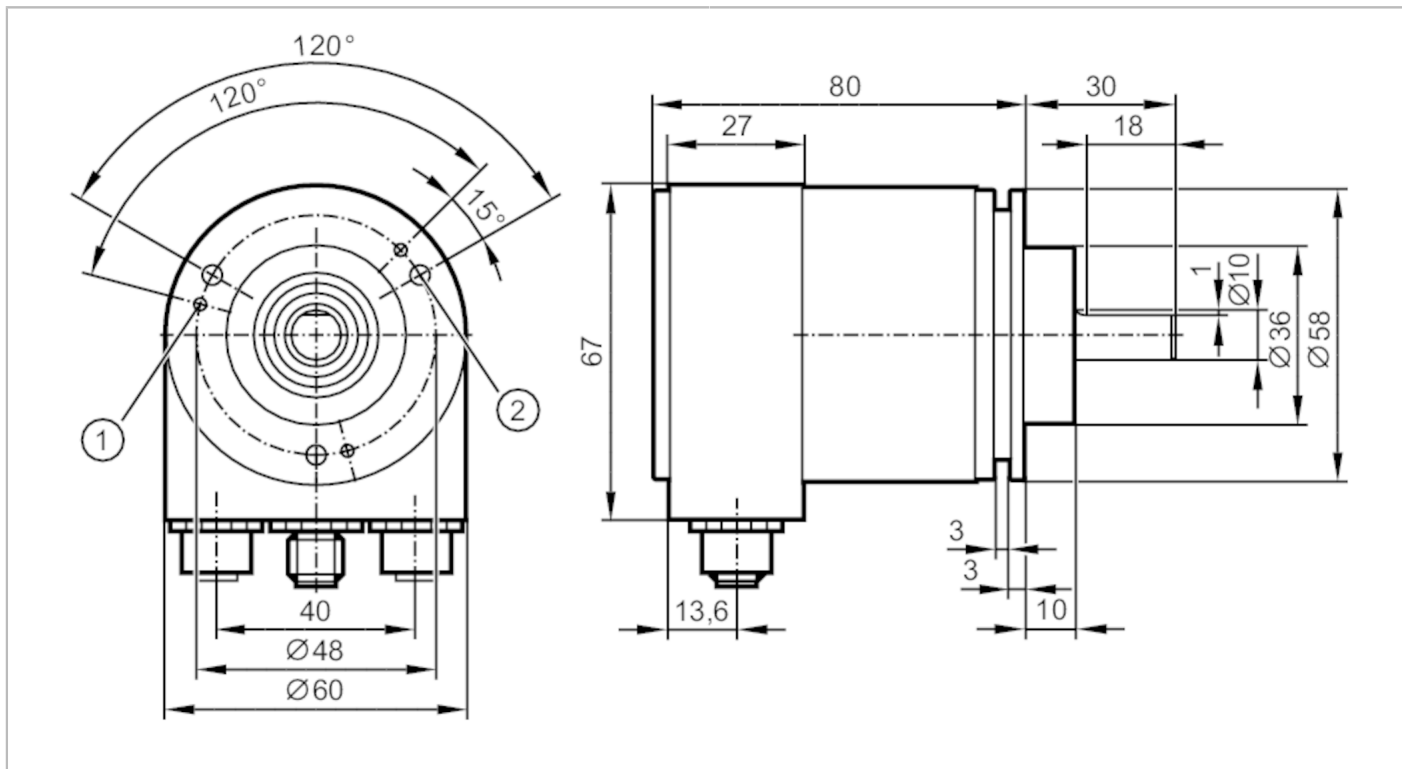


RM3011



Absolute multiturn encoder with solid shaft

RM-0025-D24/E-U



Product characteristics	
Resolution	8192 steps; 4096 revolutions; 25 bit
Communication interface	ProfiNet-IO
Shaft design	solid shaft
Shaft diameter [mm]	10
Application	
Function principle	absolute
Revolution type	multiturn
Electrical data	
Operating voltage [V]	10...30 DC
Current consumption [mA]	100; ((24 V))
Reverse polarity protection	yes
Outputs	
Code	binary
Measuring/setting range	
Resolution	8192 steps; 4096 revolutions; 25 bit
Software / programming	
Parameter setting options	resolution per revolution; total resolution; Direction of rotation; preset value; provision of a speed value; IP address
Addressing	Software
Interfaces	
Communication interface	ProfiNet-IO

RM3011



Absolute multiturn encoder with solid shaft

RM-0025-D24/E-U

Operating conditions		
Ambient temperature	[°C]	-40...85
Max. relative air humidity	[%]	98
Protection		IP 67; (on the housing: IP 67; on the shaft: IP 67)
Tests / approvals		
Shock resistance		30 g (11 ms)
Vibration resistance		10 g (10...1000 Hz)
MTTF	[years]	65
Mechanical data		
Weight	[g]	557.5
Dimensions	[mm]	Ø 58 / L = 110
Material		aluminum
Max. revolution, mechanical	[U/min]	12000
Shaft design		solid shaft
Shaft diameter	[mm]	10
Shaft material		steel (1.4104)
Max. shaft load axial (at the shaft end)	[N]	40
Max. shaft load radial (at the shaft end)	[N]	110
Fixing flange		Clamping flange

Electrical connection - Ethernet

Connector: 1 x M12



- 1 Tx +
- 2 Rx +
- 3 Tx -
- 4 Rx -

Electrical connection - voltage supply

Connector: 1 x M12



RM3011



Absolute multiturn encoder with solid shaft

RM-0025-D24/E-U

1	10...30 V DC
2	not used
3	GND 0 V
4	not used