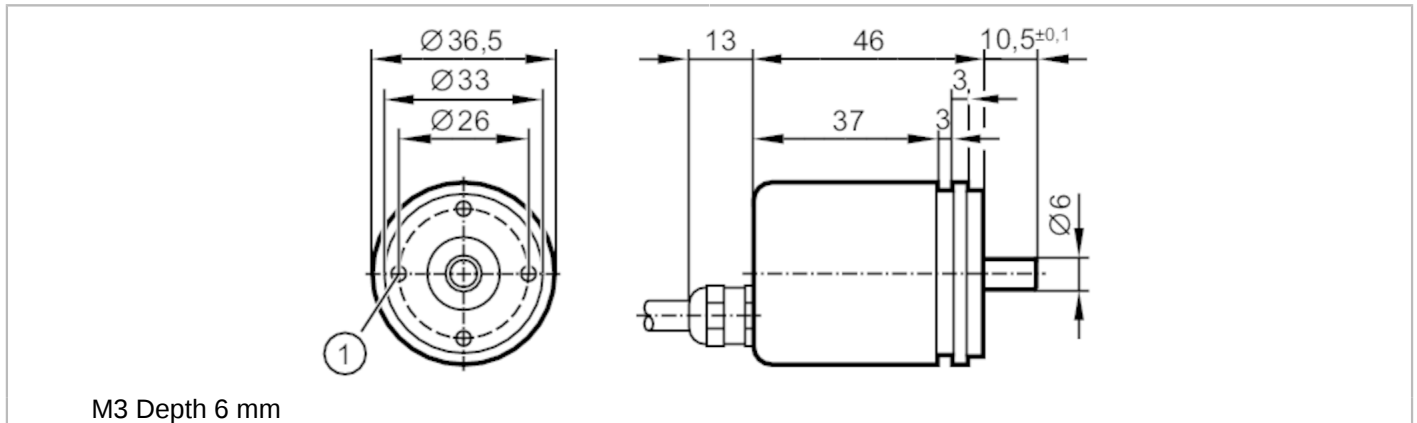


RM8001



Absolute multiturn encoder with solid shaft

RMS4096-S24/L2A



Product characteristics	
Resolution	4096 resolution; 8192 revolutions; 25 bit
Communication interface	SSI data interface
Shaft design	solid shaft
Shaft diameter [mm]	6
Application	
Function principle	absolute
Revolution type	multiturn
Electrical data	
Operating voltage [V]	4.5...30 DC
Current consumption [mA]	< 30
Inputs	
Inputs	reversal of direction of rotation; reset to zero
Outputs	
Code	Gray code; (increasing code values when turned clockwise (seen on the shaft))
Code signal	Clock input; TTL-compatible signals; clock and clock (inv.) from drivers to RS 422; data output; synchronous serial; TTL-compatible signals, data, and data (inv.)
Measuring/setting range	
Resolution	4096 resolution; 8192 revolutions; 25 bit
Interfaces	
Communication interface	SSI data interface
Operating conditions	
Ambient temperature [°C]	-40...85
Max. relative air humidity [%]	98
Protection	IP 65
Tests / approvals	
Shock resistance	< 300 g (6 ms)
Vibration resistance	30 g (10...1000 Hz)
MTTF [years]	381



Absolute multiturn encoder with solid shaft

RMS4096-S24/L2A

Mechanical data		
Weight	[g]	323
Dimensions	[mm]	Ø 36.5 / L = 69.5
Materials		flange: aluminium; housing: steel powder-coated
Max. revolution, mechanical	[U/min]	12000
Max. starting torque	[Nm]	3
Reference temperature torque	[°C]	25
Shaft design		solid shaft
Shaft diameter	[mm]	6
Shaft material		steel
Max. shaft load axial (at the shaft end)	[N]	40
Max. shaft load radial (at the shaft end)	[N]	110

Remarks	
Remarks	Wires/pins not connected (n.c.) must not be used.

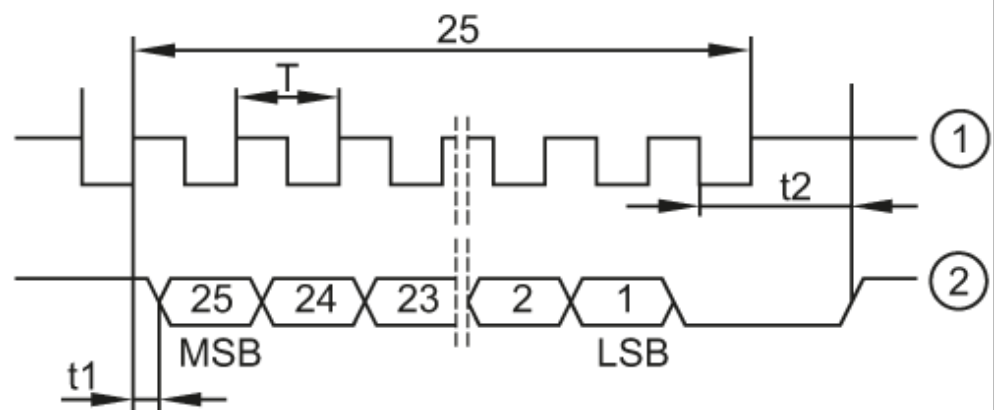
Electrical connection

Cable: 2 m, PUR; Maximum cable length: 100 m; axial

white	sensor 0 V
brown	sensor Ub
green	clock
yellow	clock (inv.)
grey	data
pink	data (inv.)
blue	reset to zero
red	reversal of direction of rotation
screen	housing

Diagrams and graphs

Pulse diagram



- 1 clock
- 2 data