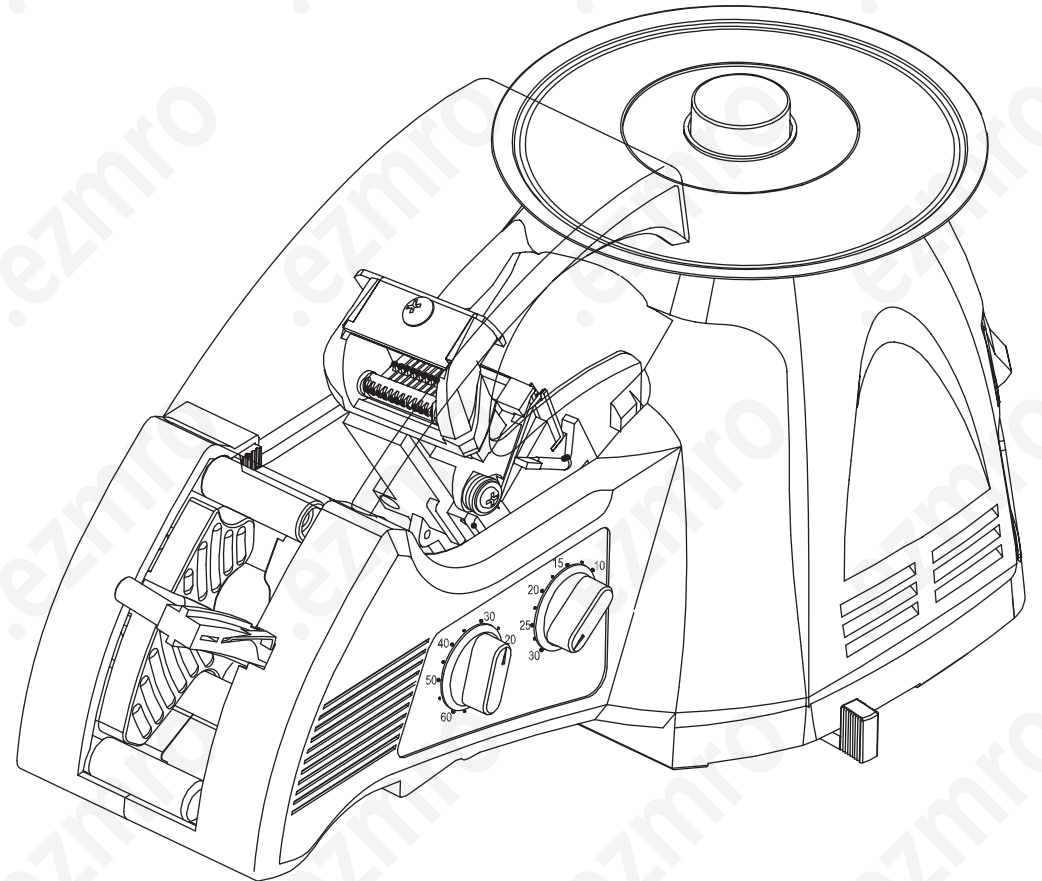


Auto Tape Dispenser

RT-3000

INSTRUCTION MANUAL



Intro

Thank you so much for purchase of Tape Dispenser. RT-3000 is the tape dispenser to cut and arrange the tapes automatically. Prior to use, please read this manual with care.

Prior to use the Tape Dispenser

- 1) Before plugging the RT-3000 please check the on/off switch is on "off" position and the load the tape.
[c.f.] Without safety cover, the Tape Dispenser will not operate.
- 2) Because the blades are so sharp, so please shut the safety cover during the operation.
[c.f.] Without safety cover, the Tape Dispenser will not operate.
- 3) Due to dirties or oils on the disk, the tape can not be adhered to the disk well. So please keep the disk clean with dry cloth.
[c.f.] In the case of highly dirty, please clean the disk with benzene or alcohol.
- 4) Do not operate the machine without loading the tape.
The blade can be worn away.
- 5) The Tape Dispenser is for the industrial use, not for the house managing. Keep away from the children's reach.
- 6) RT-3000 can be directly used by 1 or 2 persons at the same time.
But will be pretty recommended to give the machine some break after usage.
[c.f.] The Tape Dispenser has the heat sensor inside itself.
High temperature, the motor will be stopped automatically and re-operate after 3-4 minutes later.

Caution



Cause the electric shock and short circuit, if you unplug with wet hands.



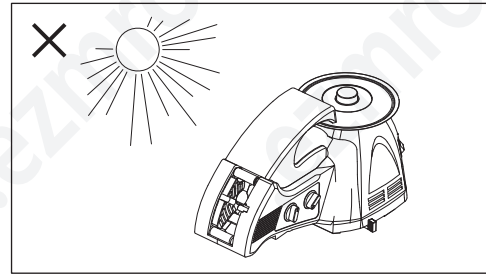
Please turn off the power during the blade changing or inspection.



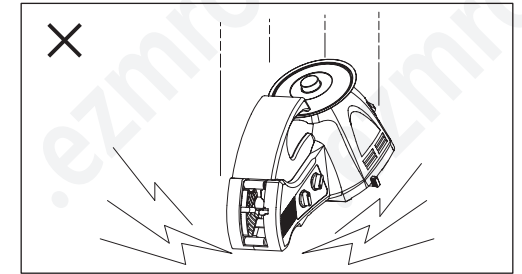
In case of non-permitted alteration or disassembling, it can cause troubles.



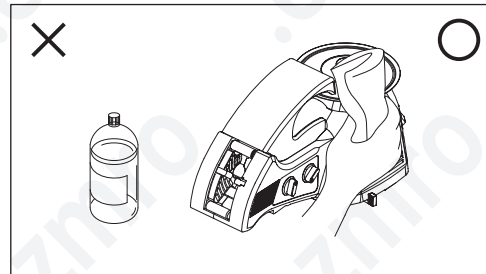
Install the machine at the flat place and unplug after using.



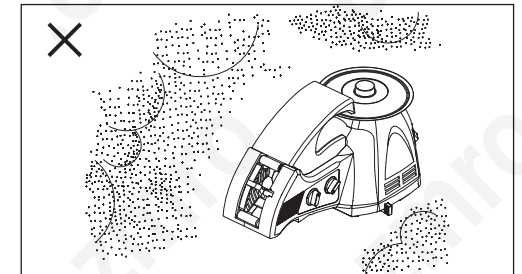
Do not expose the machine into the sun light for long time.



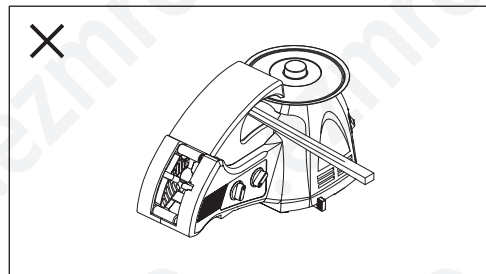
Careful not to give a shock to the machine or drop it off.



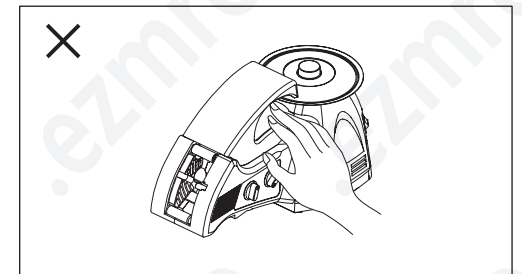
Be recommended to clean the machine only with dry cloth, not with oil or thinner. It can cause the shortage of life-time.



Do not place the machine at the place of humidity and dirties.

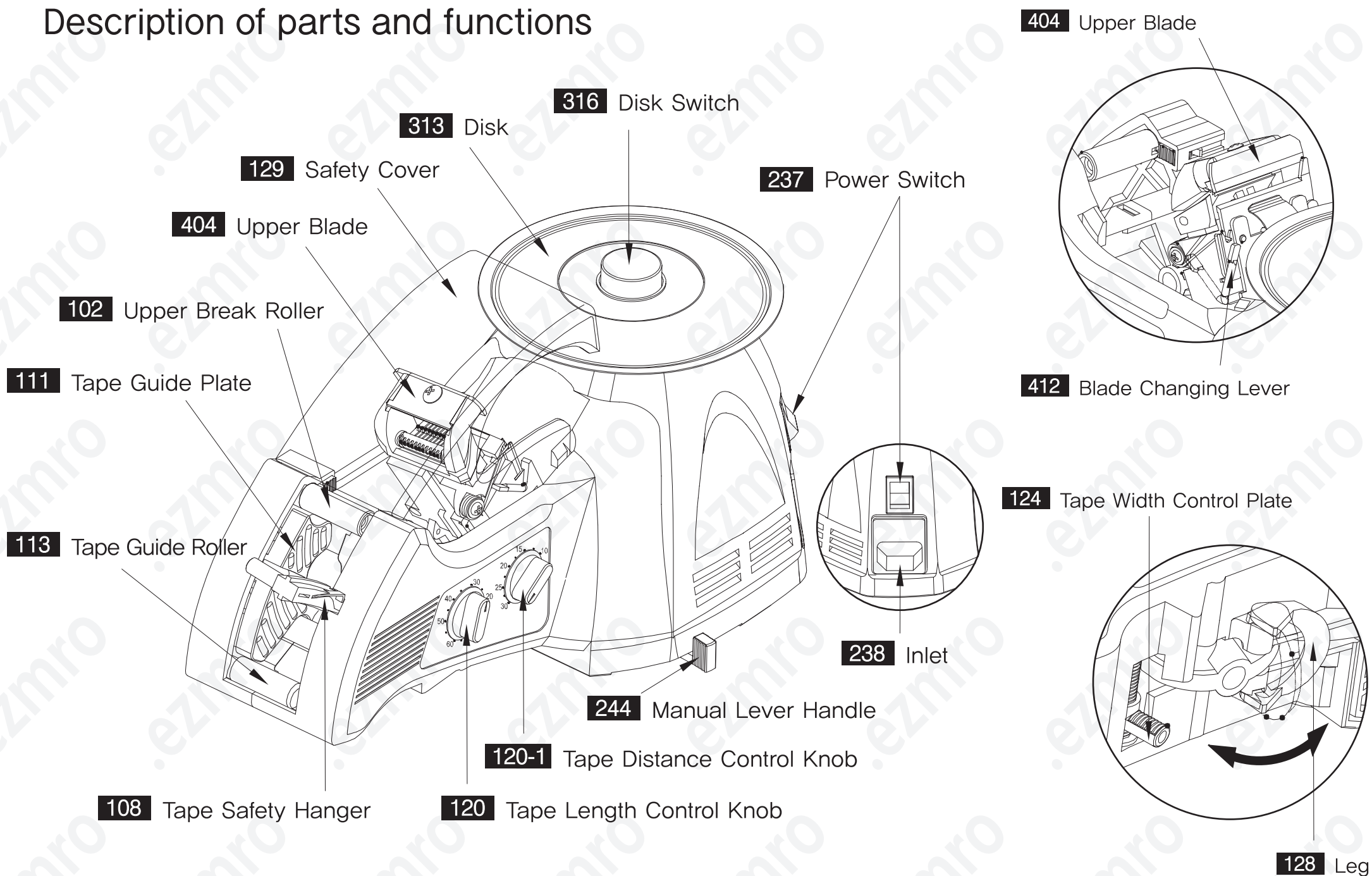


Please clean the around other stuffs, not to disturb the operation of the machine.

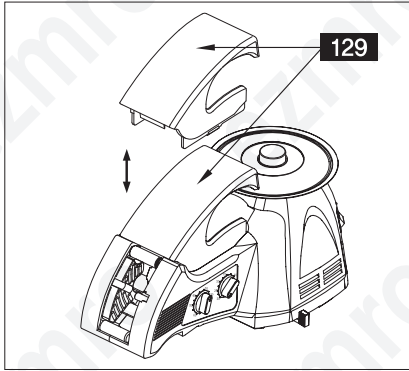


Very be careful not to put your hands or something going inside of the machine during operation. It is very dangerous.

Description of parts and functions



How to operate the Tape Dispenser RT-3000

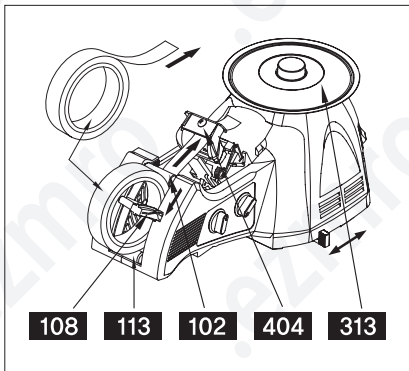


- 1-1 Uncover the safety cover(129). Hold the both sides of cove with one hand and pull it upward.

Caution – For the safety reason, the Tape dispenser will be operated with covering and loading the tape.

- 1-2 Lift up the Tape Safety Hanger (108) softly up to the last.

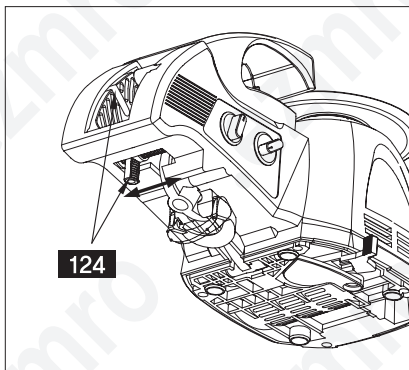
Caution – After loading the tape, pushig the place spring of the Tape Safety Hanger, the tape safety hanger will hold the bobbin automatically.



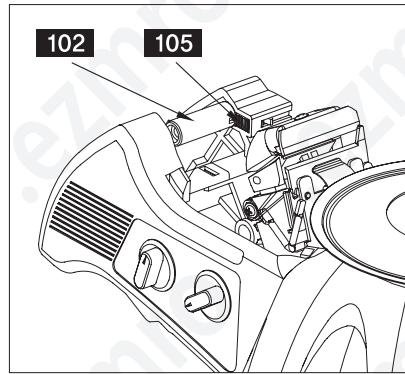
- 1-3 Do not push by force. It cause the breakage of Plate Spring

- 1-4 Load the tape on the Tape Safety Roller (113), pass the tape below Upper Break Roller(102) and Upper Blade(404). Then attach the pate on the Disk(313).

Take reference from the next “How to load tape”



- 2-1 Loading the tape on the disk, the please control the pace to tape dimension with Tape Width Control Pate(124). The push the Disk Switch (316), the disk will rotate immediately and get the tapes on it. With half automatically. Need to push again the Disk Switch(316) to re-operate the machine.

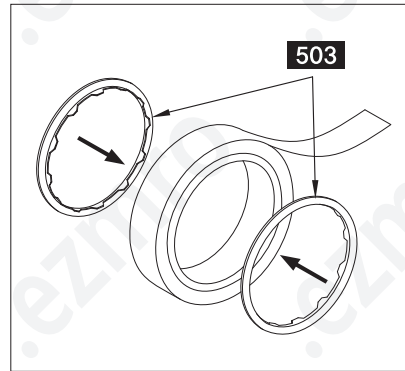


- 3-1 Control the tape length with Tape Length Control Knob(120). Control the tape distance with Tape Distance Control Knob(120-1).

(e.g.) In case of 15mm tape, you can get 5mm distance if you set the knob at 20mm.

(Take refrence the length control range and tape width range by specification on the back page.)

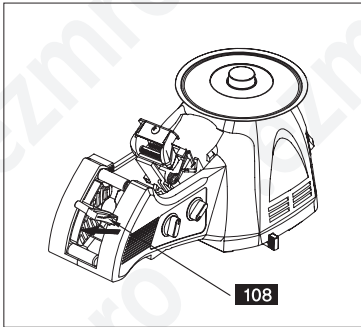
- 4-1 Thick and heavy tapes, take the Leg (126) out in order to avoide failling back. You can use the machine with let unfolded at normal cases.



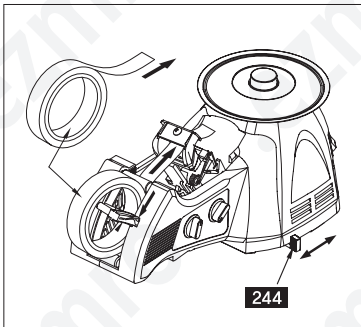
- 5-1 Upper Break Roller(102) can rotate the roller or stop it by very thin tape to roll by it by conrolling Roller Break(105). This function is good for very thin tape to roll by itself.

- 6-1 In the case of over-adhesive tape, for instance, asbestos or cotton tapes, load the tape between the Tape Holder (503).

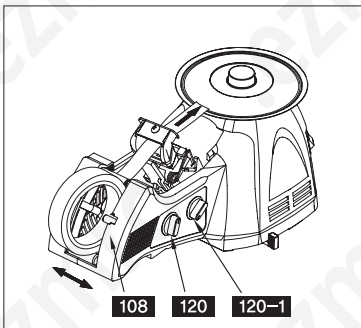
How to load tape



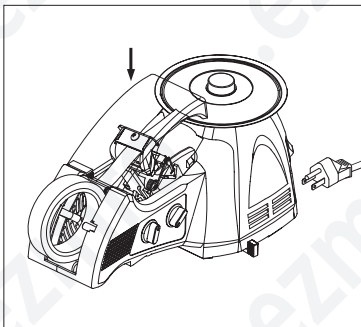
1. Turn off the on/off switch, please.
2. Pull out the Tape Safety Hanger(108), to the direction on the picture below. In the meantime, Plate Spring on the right of Tape Safety Hanger holds it not to be fallen down.
3. Load the tape inside of Tape Safety Hanger, then pass the end of tape below the Break Roller.



4. Then Tape should pass under the upper and lower blade again. When you move Manual Lever Handle(244) from side to side, the Blade Set will move side to side as well. Keep moving the Manual Lever Handle to have enough space for loading tape between upper and lower blade. You can put tape between upper and lower blade directly, but for the safety reason, please load tape by the groove on the side.



5. Passing between the blades, put the tape on the disk.
6. Push back the Tape Safety Holder(108) in to the original position on order to lock-up the tape position. In the meantime, push the Plate Spring to the bottom. Then Tape Safety Hanger holds the tape automatically.
7. Control tape distance and tape length by Tape Length Control Knob(120) and Tape Distance Control Knob(120-1)

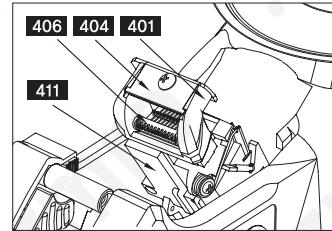


8. Hold the tape not to move from side to side by Tape Width Control Plate(124) at the bottom of the machine.
9. Cover the Safety Cover and power on the machine.
10. Push the Disk Switch, the RT-3000 will operate immediately.

Blade Changing

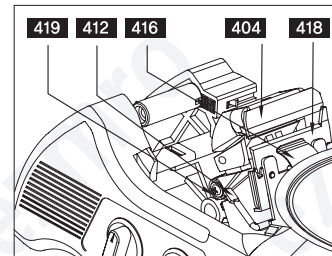
Being consumable products, the upper and lower blades must be worn out bit by bit. So, it definitely needs to change the blades. The life-time of blade depends on which tape you use and how much you use the machine.

How to Change Upper Blade



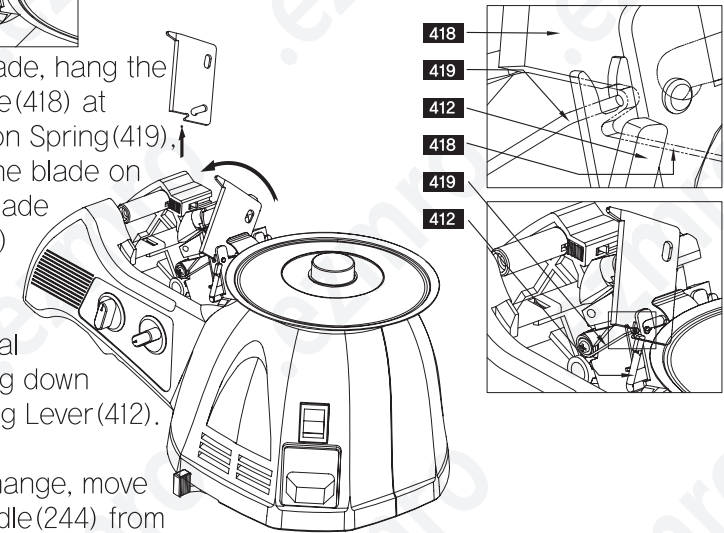
1. Check it again the power is turned off.
2. Move Manual Lever Handle(244) from side to side to separate the upper blade and lower blade, separate the Upper Blade from Tape Bite(406) which is located between Upper Blade and lower Blade. Then, unscrew the screw of Upper Blade, separate the Upper Blade.

How to Change Lower Blade



1. To change Lower Blade, lift Blade Changing Lever (412) up to the disk direction. Then Lower Plate Spring(416) which support the Lower Blade will be turned over. In the mean time, you can lift up the blade on its axis will be separated from the machine.

Assembling the blade, hang the ring of Lower Blade(418) at Lower Blade Torsion Spring(419), then push down the blade on its axis of Lower Blade Torsion Spring(419) and lock-up the Lower Blade Plate Spring at its original position by pushing down the Blade Changing Lever (412).



2. Finishing Blade Change, move Manual Lever Handle(244) from side to side. It will be locked-up with "click" sound.





[Caution] When you change the blades, the Upper Blade should be separated in advance.

Maintenance & Specifications

Use of RT-3000 for long time, it might be difficult to cut the tapes because of the adhesive on the blades. In this case, clean the adhesive with Benzene or Alcohol. Keep the disk clean for the best sticking of tapes.

All the consumable goods should be checked and changed periodically.

In case of trouble, do not disassemble the machine by yourself. Please contact for repair to your distributor or dealer in near-by.

	220V	120V	110V	230V-Inlet
Model				

* Check your plug type when you place the order.

Tape Width	5 ~ 25mm
Tape Cutting Length	10 ~ 60mm
Operation	AC Motor
Power Requirement	AC 110v / 220V 50/60Hz 40W
Dimensions	Out side – 130(W) X 260(D) X 145(H) 2.2Kg 1 Unit Package – 160(W) X 290(D) X 220(H) 2.3Kg

Recommended Tapes

Cellophane Tape, Paper Tape, Cotton Tape, PP Tape, Acetate Cloth Tape, Masking Tape, Double sided Tape and More!

Exploded Views / Part Break Down

