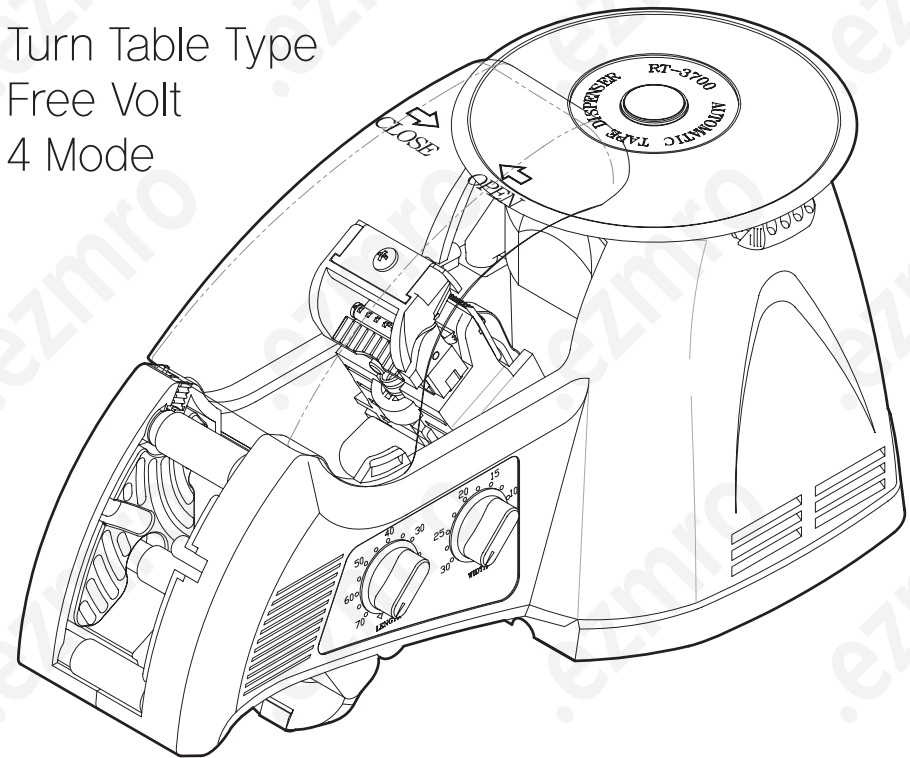


Auto Tape Dispenser

# RT-3700

INSTRUCTION MANUAL

Turn Table Type  
Free Volt  
4 Mode



\*\* Please read the instruction manual in order to use the product appropriately and safely.

## Before Use

Thank you for purchasing Auto Tape Dispenser RT-3700. RT-3700 is a compact, unique feeding system which allows to many kinds of tape, includes minimum size of thin tapes.

Please read this Instruction Manual carefully.

For your safety, please keep this Instruction Manual for reference, retraining and trouble shooting.

## Safety Instructions

The safety guidelines in this Instruction Manual must be observed in order to prevent damage to the machine or injury to the operator or other person.

The safety guidelines prescribed "Warning " and "Caution" describe possible injury or damage that may be suffered from operating or maintaining the machine in a manner other than as described in this Instruction Manual.

Read and follow the safety precautions carefully before reading the Instruction Manual.

## Definition of Warning Symbols



### Warning

Indicates a potentially hazardous situation which if not avoided, could result in death or serious injury



### Caution

Indicate that carelessness of handling may result in danger and that the operator is at risk of injury, or the machine is at risk of damage.



Indicates Caution

A symbol within the triangle, or the description, will indicate a specific hazard.



A Prohibited Action

A symbol within the circle, or with a diagonal stroke, will indicate prohibited action.



A Required Action

A symbol within the circle in black, or the description, will indicate the required action.



## Warning



Do not plug in, unplug the cord, or operate the machine with wet hands.  
Failure to observe this may result in injury due to electric shocks.



Never insert your finger, or any other body part, or any foreign object into the machine.  
Failure to observe this may result in injury.



Keep hair or loose clothing away from the machine while it is operating.  
Failure to observe this may result in injury.



This machine is intended for industrial use only.  
Do not allow untrained operators or children to operate the machine.  
Failure to observe this may result in injury.



Turn off the power switch and unplug machine prior to replacing the blade or performing any maintenance the machine.  
Failure to observe this may result in injury.



Do not use this machine for anything other than its specified applications. Use of the machine for any unintended applications can cause injury to the operator or failure of the machine.



## Caution



Do not install the machine where it is wet. It may cause electric shock or damage to the product.



This machine must not be disassembled or remodeled. It may cause accidents or breakdown of the product.



When you unplug the product, hold the plug. If you pull the cord, it can cause shock or electric shock due to snapping of the wire.



Do not put waste into the label outlet. It may cause accidents or breakdown of the product.

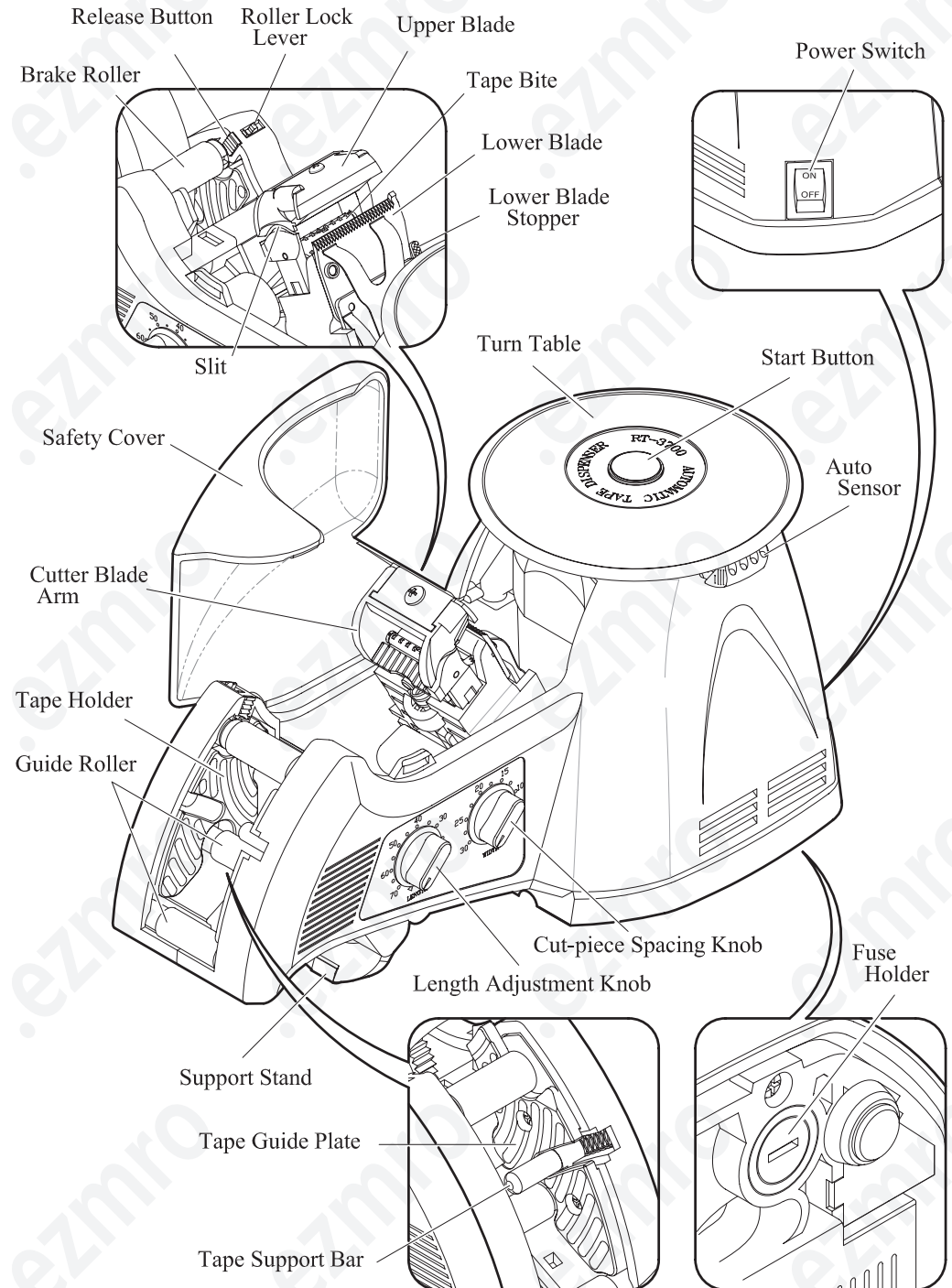


Professional should stay by the machine at all times while it is running. When the machine is left unattended, make sure to turn it off and unplug it. It may cause accidents or breakdown of the product.





Put in the power plug tightly. If it is not plugged in tightly, it may cause fire due to contact failure.

## Identification of Parts

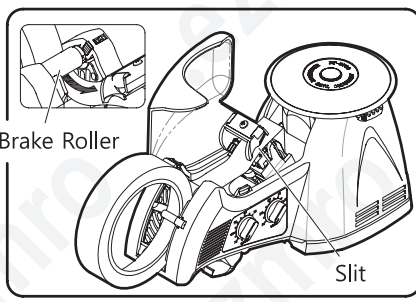
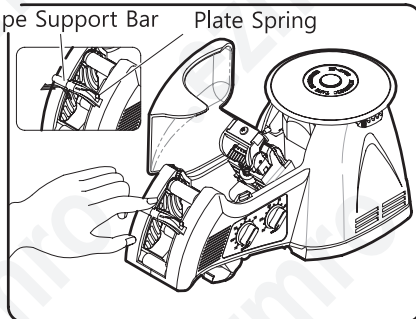
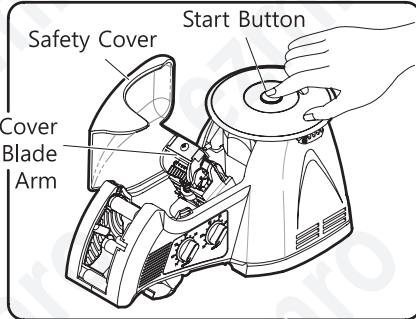
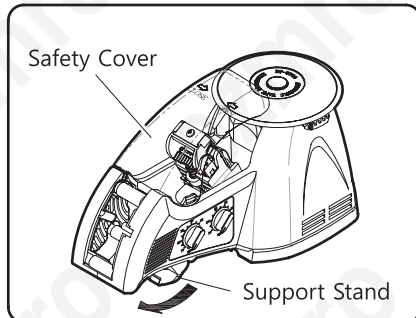


# Loading the Tape Roll

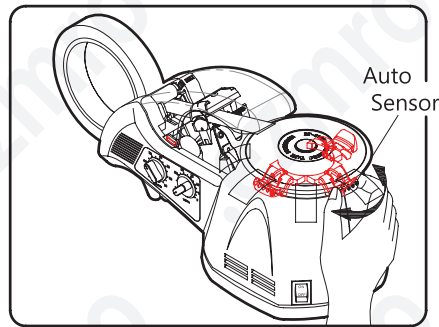
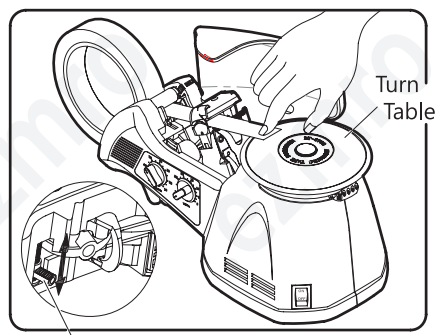
 Make sure to turn the POWER SWITCH off, and according to Instruction Manual when you set the tape.

 Whenever you set the tape, do not touch the Upper and Lower Blades. That may cause accidents.

- ◆ Make sure the Support Stand in use.
- ◆ Make sure the Power Switch is off and plug in.
- ◆ Turn the Power Switch ON.
  - ◇ A lightly beep sound will come out then the Start Button lights and shows the mode color.
  - ◇ The default on this tape dispenser sets number of cut.
  - ◇ Red color light on which means 2 pcs. is set.
- ◆ Remove the Safety Cover.
  - ◇ The Start Button is flashing with Red light.
- ◆ Press the Start Button and move the Cutter Blade Arm little by little.
  - ◇ Catch the timing whre the cutter blades open mose widely.
  - ◇ Press the Start Button continuously, the Cutter Blade Arm moves intermittently.
- ◆ Turn the Power Switch OFF
- ◆ Plug the cord out.
- ◆ Pull the Tape Support Bar out to the limit.
- ◆ Pull the tape under the Brake Roller.
- ◆ Put the tape between the Tape Holder, hooked by Tape Support Bar and through the Slit(between Upper and Lower Blade) and affix the tape to the Turn Table.

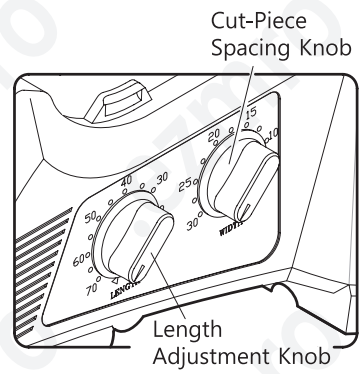


- ◆ Adjustment the Tape Holder to the proper width by sliding the Tape Holder Adjustment Lever.
- ◆ Put the Safety Cover on.
- ◆ Plug in the cord.
- ◆ Turn the Power Switch ON.
- ◆ Press the Start Button.
  - ◇ When you use Auto Mode(Blue light on) or Semi-Auto Mode(Pink light on), stop rotating the Turn Table at the Auto Sensor which you set.
  - ◇ When you use Manual Mode(Red light on), the Turn Table stop rotating after finishing numbers of cut.



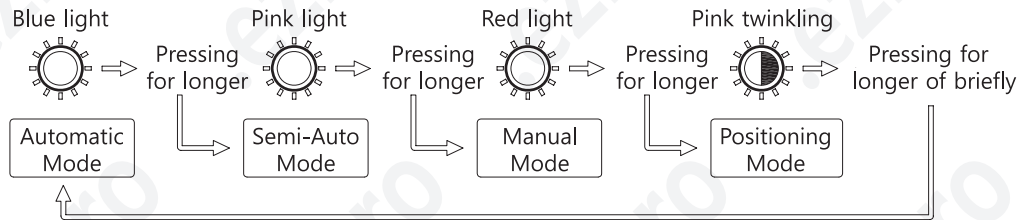
# Setting the Tape Length & Cut-Piece Spacing

- ◆ Turn the Length Adjustment Knob to the desired
  - ◇ The number which is pointed in approximeter Millimeter.
  - ◇ The actual length differs from the shown length depends on the type of tape and its conditon.
- ◆ Turn Cut-Piece Spacing Knob to the desired spacing.
  - ◇ Make sure to keep the proper space between the cuts to avoid tape overlapping.



# Setting the Mode

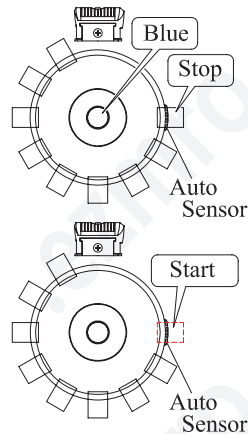
You can choose three different kind of mode according to your job demands.  
Press the Start Button longer until a slightly beep comes.  
When you press the Start Button Longer, the mode will be changed as the chart below.



**!** When a Safety Cover is in condition to have closed, the change of the mode is possible. A Safety Cover is in an open state and cannot change mode.

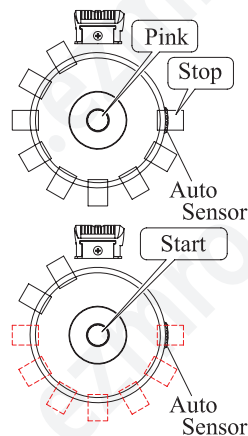
## Automatic Mode

- ◆ Press the Start Button longer. (Blue light is on)
- ◆ Move the Auto Sensor to the desired position.
- ◆ Press the Start Button the start.
- ◆ When the tape reach over the Auto Sensor, machine will stop cutting.
  - ◇ If the machine can not stop cutting to pass through the Auto Sensor, check and adjust the position of Auto Sensor again.
- ◆ When you remove the tape over the Auto Sensor, machine will start to cut again automatically.



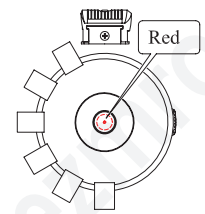
## Semi-Automatic Mode

- ◆ Press the Start Button longer. (Pink light is on)
- ◆ Move the Auto Sensor to the desired position.
- ◆ Press the Start Button the start.
- ◆ When the tape reach over the Auto Sensor, machine will stop cutting.
  - ◇ If the machine can not stop cutting to pass through the Auto Sensor, check and adjust the position of Auto Sensor again.
- ◆ When you remove the tape over the Auto Sensor, machine will start to cut again automatically.
- ◆ When the tape reach over the Auto Sensor, the machine will stop cutting.



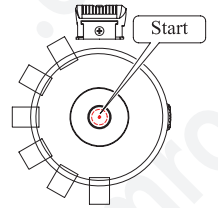
## Manual Mode

- ◆ Press the Start Button longer. (Red light on)
- ◆ Press the Start Button then start.
- ◆ The machine will stop cutting when reach the number of cut which you set.
  - ◇ Press Start Button again for re-start.



## Preset Method

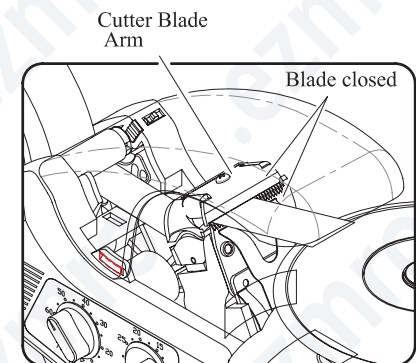
- ◆ Turn the Power Switch OFF.
- ◆ During pressing the Start Button, turn the Power Switch on in a same time.
- ◆ When the beep sound come, leave your finger from the Start Button.
  - ◇ Confirm the beep sound comes again, and Start Button is flashing in Red and Blue alternately.
- ◆ Press the Start Button and set the desired the number of cut minus two.
  - ◇ For example, if you want to set 10 pieces, you should press the Start Button eight times.
  - Maximum set number of cut is 15 pieces.
- ◆ When you set the number of cut, press the Start Button longer until beep sound comes.
- ◆ Make sure the Start Button and start to operate.
  - ◇ The machine will stop cutting when reach the number of cut which you set.
  - ◇ After turn the Power Switch OFF, the number of cut is still memorized.
  - ◇ When you stop the machine during operation, press the start Button. At this moment, the machine has already reset the number of cut.
  - ◇ Press Start Button again for re-start.



## Positioning Mode

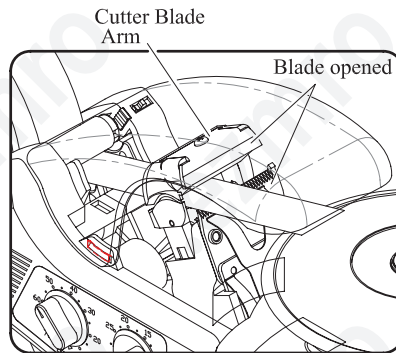
### Blade close stop

- ◆ Press the Start Button longer. (Pink light is on)
- ◆ Press the Start Button longer again. (Blue light on)
- ◆ Press the Start Button then start.
  - ◇ After having cut tape, the blade is closed and waits.
  - ◇ Tape can prevent that it is fallen off a turn table during a driving wait.



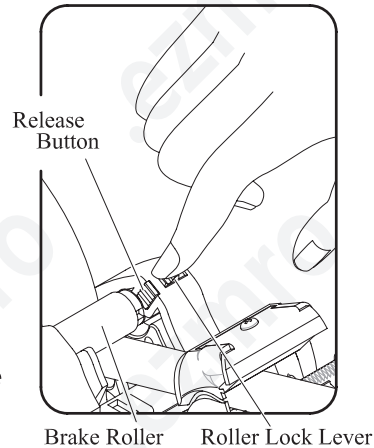
## ○ Blade open stop

- ◆ Press the Start Button longer.  
(Pink light twinkling)
- ◆ Press the Start Button briefly.  
(Blue light on)
- ◆ Press the Start Button then start.
  - ◇ After having cut tape, the blade is closed and waits.
  - ◇ Tape exchange is convenient.



## Dealing with Curling Tape

- ◆ Press the Roller Lock Lever inward.
- ◆ Turn the Brake Roller until it can no longer turn.
  - ◇ With the roller locked, the tension may cause the length to vary.
  - ◇ Cut several sample pieces and adjust the length if you needed.
  - ◇ Press the Release Button when you need to release the lock.



## Replacing the Upper & Lower Blades

The blades are consumable, and they will eventually wear out. If it happens, please replace a new one.

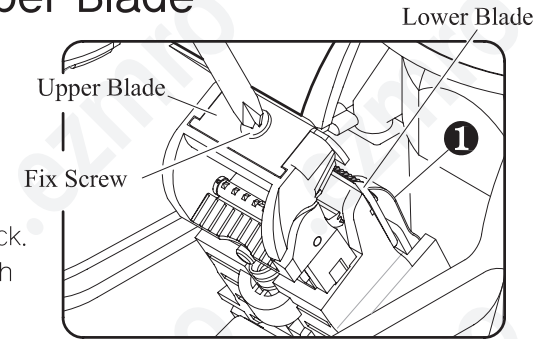
The staying power of blades is based on the tape's quality, material, thickness which you are using.



The blades are very sharp.  
Whenever replace the blades, do not touch the blades and pliers.

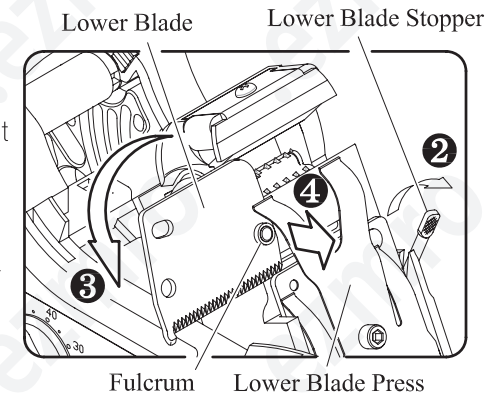
## ● How to remove the Upper Blade

- ◆ Turn the Power Switch off and unplug the cord.
- ◆ Remove the Safety Cover.
- ◆ Take the screw out of the Upper Blade.
- ◆ Replace the new blade.
- ◆ Set the tape and put the Safety Cover back.
- ◆ Plug in the cord and turn the Power Switch on and test to cut.



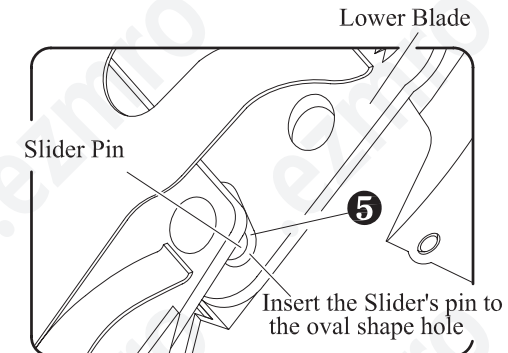
## ● How to remove the Lower Blade

- ◆ Turn the Power Switch off and unplug the cord.
- ◆ Remove the Safety Cover.
- ◆ For easy removal, turn the Length Adjustment Knob to the limit.
- ◆ Press the Lower Blade Press and raise the Lower Blade Stopper. [①~②]
- ◆ Hold the projection of the right side of the Lower Blade by pliers. [③]
- ◆ Turn 180 degrees to the left and take the Lower Blade out from the fulcrum. [④]



## ● How to replace the Lower Blade

- ◆ Put the Lower Blade back to fulcrum.
- ◆ Turn the Lower Blade until the Slider's pin inserts the oval shape hole of the Lower Blade. [⑤]
- ◆ Pull the Lower Blade Stopper down.
  - ◇ If the blades are not set properly, the machine is at risk of damage.
- ◆ Set the tape and put Safety Cover back.
- ◆ Plug in the cord and turn the Power Switch on then test to cut.



# Maintenance

- ◆ If you have been using RT-3700 for a long time, tape residue starts to stick on the blades, and it becomes harder to cut. Remove tape residue with alcohol.
- ◆ Check the screw of Upper Blade regularly.  
If the screw is loosen, RT-3700 can not cut the tape properly.
- ◆ If the tape can not stick on the Turn Table, clean the Turn Table by using alcohol with a clean dry cloth, or swab remove the residue.

# Malfunction

Please check the following before deciding the product is out of order.

Not working with the power on	AC cord disconnection Fuse disconnection	Check if the cord is connected right. Replace the fuse too new one. If the fuse disconnection continues, stop using the product.
Next part of the tape not coming out even after removing one (Auto mode)	The manual mode is on. The sensor is dirty. There is a light source close to the sensor.	Set the automatic mode. Clean the product. Do not let the light source reach the sensor.
Not stop cutting movement. (Auto mode)	The tape just passes it over a sensor. The tape with extremely low reflexivity is used.	Please adjust the position of the sensor. There are some label not available with the automatic mode.
Difference between the actual length and the set one	A highly adhesive tape is used. A slippery tape is used. An elastic tape is used.	Test cut and correct the difference.



If the product keeps showing disorder even after following those mentioned above, please stop using it and call the seller or the manufacturer.

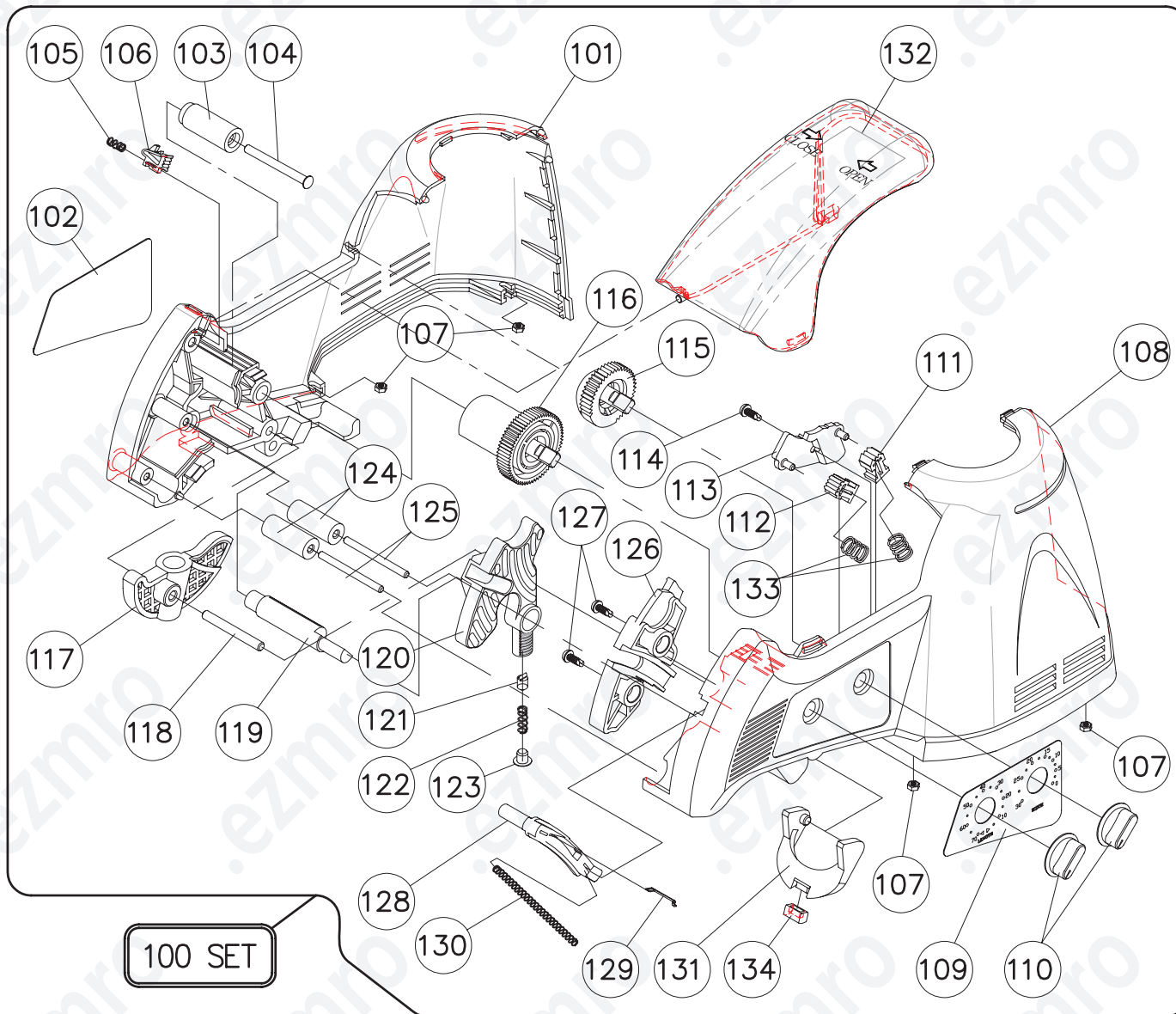
# Specification

Power requirement	AC 100~230V	Material	Special ABS resin
Input Voltage range	±5%	Moving speed	70 ea/min
Power consumption	25 W	Cutting width(mm)	3~25 (note1)
Dimensions	126 * 258 * 150(H)mm	Cutting length(mm)	15~70 (note2)
Weight	1.9Kg	Tape Roll Diameter	Φ150 (note3)

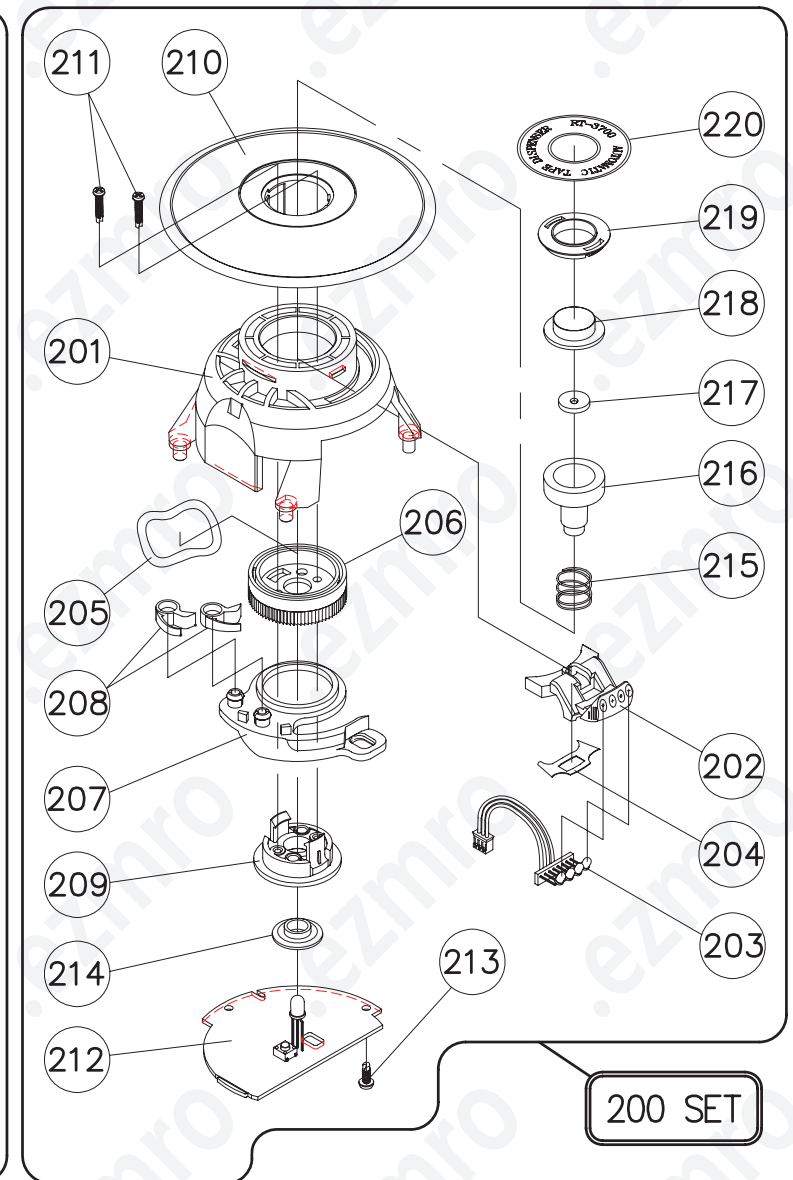
- \* Note 1 to 3 might be available depending on the type of tape and condition of use.
- \* This machine may change its parts without prior notification for product improvement.  
Please understand.

# AUTOMATIC TAPE DISPENSER RT-3700

2012 new version



*Cover Set*



*Turn Table Set*



# AUTOMATIC TAPE DISPENSER RT-3700

2012 new version

## *Blade Unit Set*

## *Main frame Set*

