



# ***AUTO TAPE DISPENSER RT SERIES***

## ***INSTRUCTION MANUAL***

***RT-9000F***

*Fold type*

*Program type*

*Free Volt*



\* Please read the instruction manual in order to use the product appropriately and safely.

## Before Use

Please read the manual before start using the product.

Thank ou for purchasing Auto Tape Dispenser RT-9000F.

This product was equipped with a function to fold to be able to employ user with an improved model of the digital type RT-7000 series usefully.

Please read this Instruction Manual carefully.

For your safety, please keep this Instruction Manual for reference, retraining and trouble shooting.

## Safety Instruction

The safety guidelines in this Instruction Manual must be observed in order to prevent damage to the machine or injury to the operator or other person.

The safety guidelines prescribed “Warning” and “Caution” describe possible injury or damage that may be suffered from operating or maintaining the machine in a manner other than as described in this Instruction Manual.

Read and follow the safety procautions carefully before the Instruction Manual.

# Definition of Warning and Caution Symbols



## Warning

Indicates a potentially hazardous situation which if not avoided, could result in death or serious injury.



## Caution

Indicates the carelessness of handling may result in danger and that the operator is at risk of injury, or the machine is at risk of damage



Indicates Caution  
A symbol within the triangle, or the description, will indicate a specific hazard.



A Prohibited Action  
A symbol within the circle, or with a diagonal stroke, will indicate prohibited action.



A Require Action  
A symbol within the circle in black, or the description, will indicate the required action.



## Warning



Do not plug in, unplug the cord, or operate the machine with wet hands. Failure to observe this may result in injury due to electric shocks.



Never insert your finger, or any other body part, or any foreign object into the machine. Failure to observe this may result in injury.



Keep hair or loose clothing away from the machine while it is operating. Failure to observe this may result in injury.



This machine is intended for industrial use only. Do not allow untrained operator or children to operate the machine. Failure to observe this may result in injury.



Turn off the power switch and unplug machine prior to replacing the blade or performing any maintenance the machine. Failure to observe this may result in serious injury.



Do not use this machine for anything other than its specified application. Use of the machine for any unintended applications can cause injury to the operator or failure of the machine.



## Caution



Do not install the machine where it is wet. It may cause electric shock or damage to the product.



This machine must not be disassembled or remodeled. It may cause electric shock or damage to the product.



When you unplug the product, hold the plug. If you pull the cord, it can cause shock or electric shock due to snapping of the wire.



Do not put waste into the label outlet. It may cause accidents or breakdown of the product.

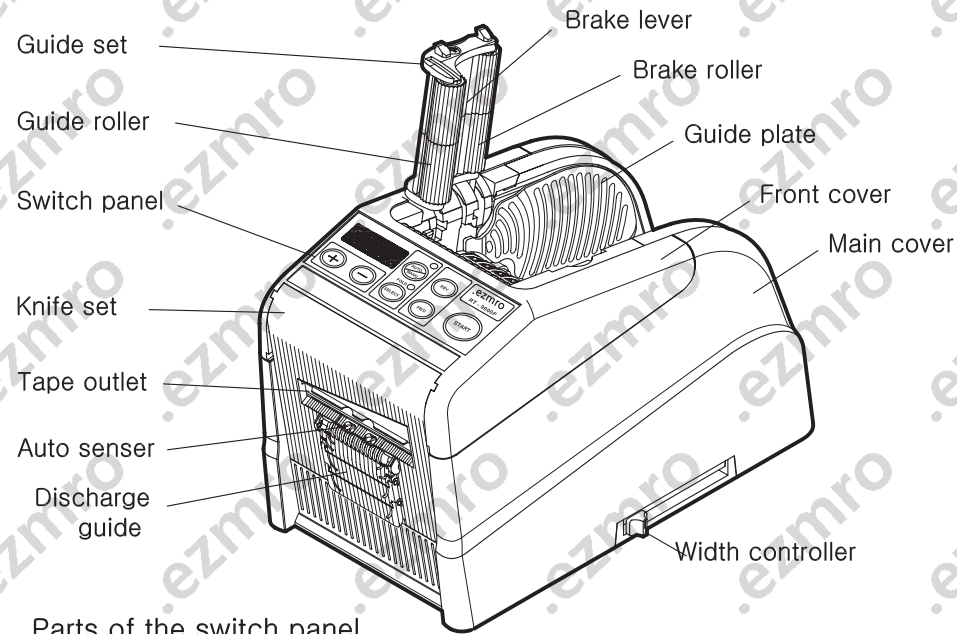


Professional should stay by the machine at all times while it is running. When the machine is left unattended, make sure to turn it off and unplug it. It may cause accidents or breakdown of the product.

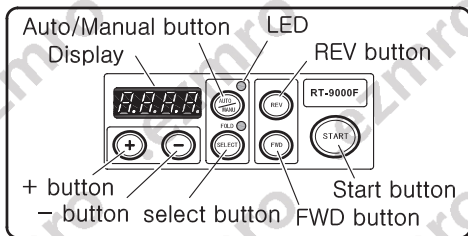


Put in the power plug tightly. If it is not plugged in tightly, it may cause fire due to contact failure.

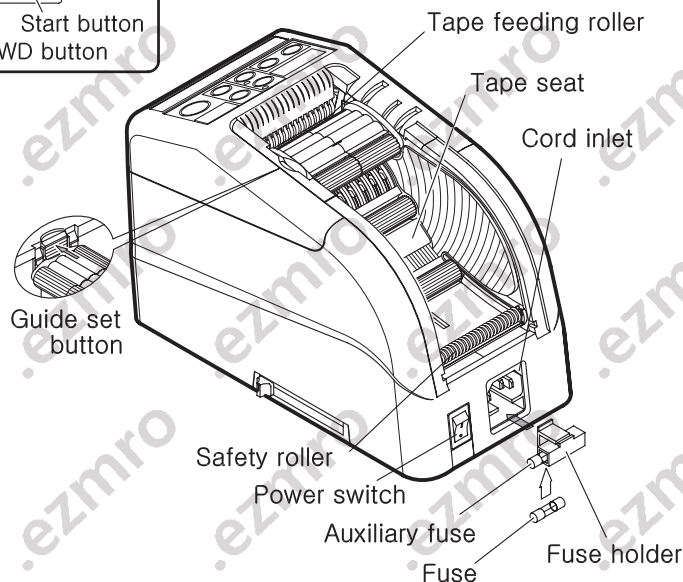
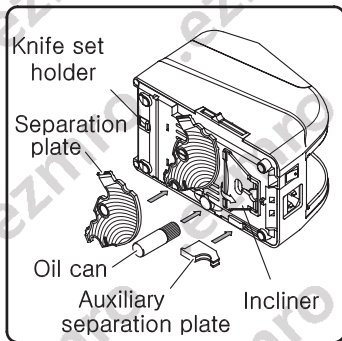
# Identification of Parts



## Parts of the switch panel



## Lower parts of Product



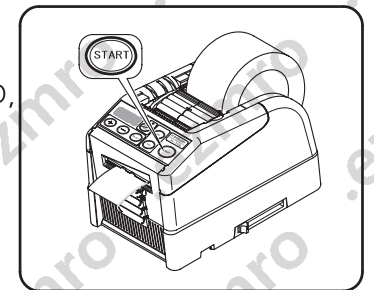
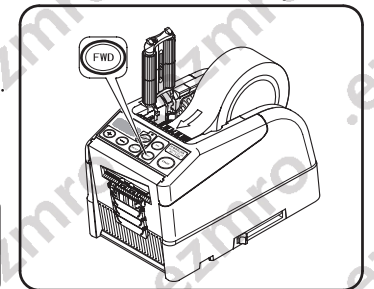
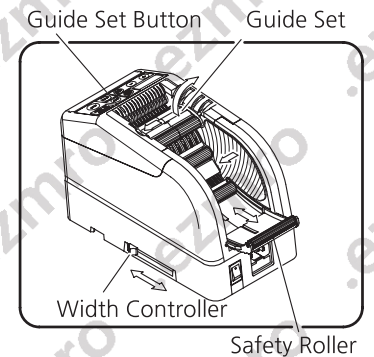
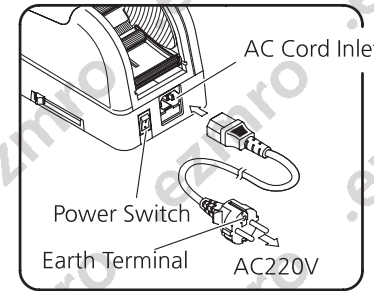
# Loading the Tape Roll

- Insert the AC Cord into the inlet of the main body.
- Plug in the earth terminal.
- Turn off the product and plug in.
- Turn on the product.
  - ☞ When turned on, the product begins to make a sound while the length to cut tape displayed.
  - ☞ When turned on, the product is manual.
- Open the guide Set by pressing the guide set button.
- Put tape on the tape set.
- Adjust the guide plate by moving the width controller.
  - ☞ The guide plate touching the side of tape, move the controller back a bit so that the tape rolls smoothly.
  - ☞ When mounting a wide tape, pull the safety roller enough so that the tape does not fail.
- Mount the tape with the glue side down under the guide roller.
- Press the FWD until the tape is out of the outlet.
  - ☞ In case of a highly adhesive tape, roll it out enough before mounting it and pressing the FWD button.
  - ☞ The FWD button is operated only while pressed. Setting the tape, adjust the length of time it is pressed so that the tape moves little by little.

☞ For your safety, the guide roller operates slowly until the tape reaches the outlet. Then, it begins to operate at a normal speed.

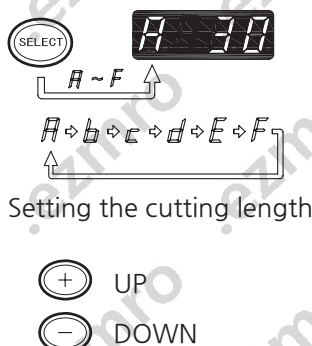
- Close the guide set once the tape is fully mounted.
- Press the Button.
  - ☞ If the start button is pressed right after the FWD, the cutter cuts the tape out of the outlet. Please remove the part of the tape out. Set the product according to the next page and press the start button, and the product begins to operate at a mode set.

**!** Be sure the gule side of the tape loos down when mounting the tape. Otherwise, the tape might not roll smoothly.



# Setting the Tape Length

- Check if the length you want is displayed.
  - The Length to cut tape is displayed with A to F and numbers. If the length needs to be adjusted, Press the select button long.
- Set the length by to cut tape.
  - Set the length by pressing the + or - button.
  - With this product, you can set 6 types of length. Select one among A to F by pressing the select short and set the length too cut tape. (Cut Range : 5 - 999mm)
  - Basic length is set like the following - A : 30, b : 0, c : 0, d : 0, E : 0, and F : 0
  - 1mm increases or decreases every time the + or - button is pressed short. Pressed long 5mm.



Setting the cutting length

# Setting the Mode

This machine has the following 3 functions. A user of this product can do various works by setting a mode desired.

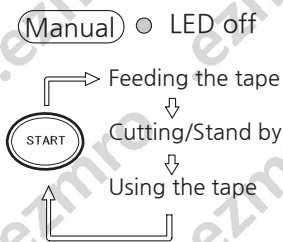
## ● Auto / Manual Mode

Push the Auto / Manu button briefly. and please switch to an automatic mode or a passive mode.



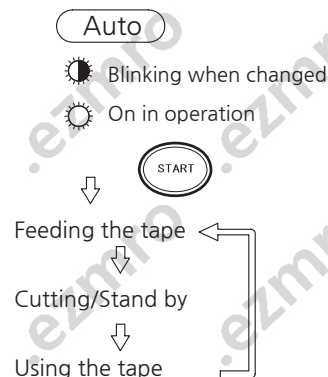
## Manual Mode (LED off)

- Check the LED is off
  - Press the AUTO/MANU button briefly while the LED is on or blinking to turn it off.
  - Pressing the button long returns cutting length to the initial value.
- Pressing the start button cuts the tape once. Then the unit stands by.



## Auto Mode (LED on)

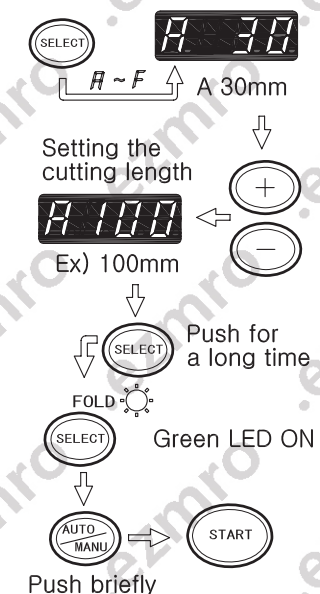
- Check the LED is blinking
  - If the LED is off, make it blinking by press the AUTO/MANU button briefly.
  - Because it is switched to a rolling mode if push the button for a long time more than one second, please be careful.
- Pressing the start button cuts the tape. Then the unit stands by.
  - Check if the LED is on when the tape cut stands by at the outlet.
  - Removing the tape standing by at the outlet, the unit automatically cuts the next part of the tape and stands by.



## ● Fold Mode (Fold an end of the tape)

- This mode gets a front part of the tape about 8mm by folding.
  - Input the cut length of the tape to use with a cut length setting mode.
  - Push the SELECT button for a long time more than 1 sec.
    - Check a green LED lamp in the right side of the FOLD burnt.
  - Push the AUTO/MANU button and choose an automatic mode or the passive mode.
  - Cut tape if push the START button and wait.
    - As for one piece of tape, it is cut not to fold for the first time, and a front part folds the next second from cut tape normally.
    - The general mode (Green LED off) is cut without tape folding it.
    - When want to switch to a Fold mode, push the SELECT button for a long time by all means more than 1 sec.
    - Push the SELECT button for a long time once again more than 1 sec if going to switch to a general mode. Then green LED lamp disappears.

The choice of the stage



Setting the cutting length

Ex) 100mm

Push for a long time

Green LED ON

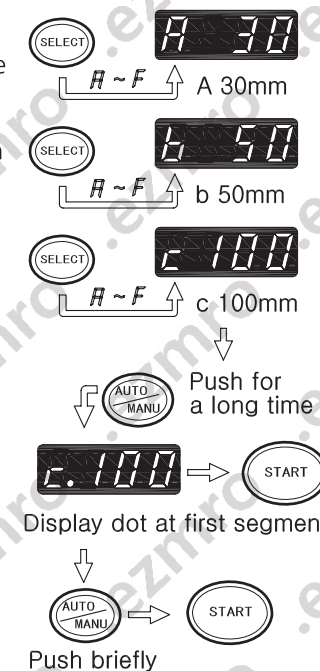
Push briefly

## ● Program Mode (Sequentially Cutting Mode) \*option

This mode calls an input memory level sequentially and cut tape. Can cut the cut length of the tape with 2~6 kind each to be different.

- Input the cut length level that, please be stage distinction with a cut length setting mode.
  - The stage changes sequentially to A~F whenever push the SELECT button briefly.
  - Input a cut length level with + or - button on each stage.
  - Can input the cut length of the tape to up to 6 kinds each to be different.
- After having finished cut length setting, push the AUTO/MANU button for a long time more than 1 sec.
  - While a dot appears in the first segment of the display window, it is changed to the program mode.
- Push the AUTO/MANU button briefly and choose an automatic mode or passive mode.
- The tape is transferred if I push the START button and it cut and waits.
  - The length of the tape cut by a display window displayed.
  - Tape is cut by the memory level order which was input whenever push the START button at the time of passive mode work whenever separate tape at the time of automatic mode work.
  - Push the AUTO/MANU button with a general mode for a long time once again more than 1 sec if want to return. Then a dot disappears in the first segment.

Length setting according to the stage

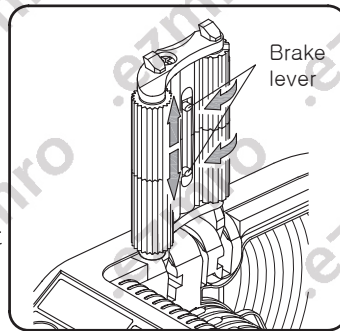


Display dot at first segment

Push briefly

## When using a tape easily curling up

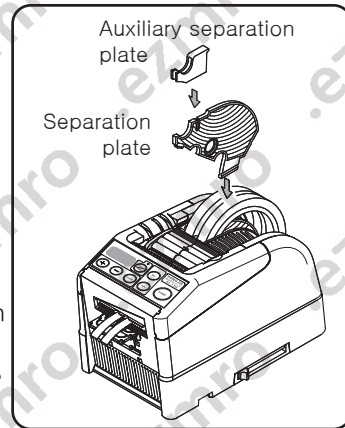
- Raise the guide set by pressing the guide set button.
- Widen it by pushing the brake lever of the guide set.
- When the tape is curled up in spite of using the brake roller, hold it stronger using the width controller.
- ☞ The lengths of cutting and setting might be different depending of the type of tape or condition of use. Then, measure the tape cut and correct the difference.



## When using two tapes

Insert the separation plate when using the tape below 10mm wide. It is possible to use 2 tapes below 25mm wide at the same time

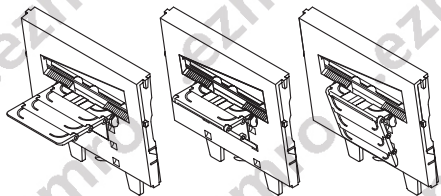
- Take out the separation plate under the guide set button.
- Raise the guide set by pressing the guide set button.
- When using a tape below 10mm wide, insert the auxiliary separation plate.
- ☞ Take out the auxiliary separation plate under the main body and insert it into the separation plate.
- Put the tape on the tape seat and adjust the guide plate by moving the width controller.
- Install the tape and set the mode desired.
- ☞ When two tapes are used at the automatic mode, removing both of the tapes at the outlet makes the next part of the tape stand by.
- \*Caution ) Using two highly adhesive tapes forcefully might affect the motor and reduce its life span.



## Other functions

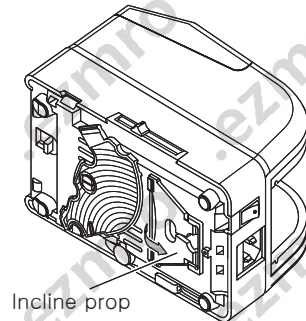
### Discharge guide plate

- Adjust its angle depending on the type of tape or processing.
- ★ Connection use is possible for long.



### Incline prop

- Open it to incline the main body depending on the type of tape processing.



## Replacing the Cutter unit



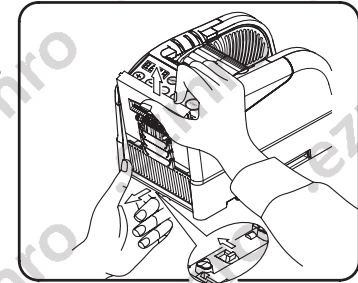
There is a risk of accidents.  
Before replacing the power off, and disconnect the power plug.



The blades are very sharp.  
Careful to avoid touching the blade area.

The Cutter unit is a consumable item. Replace the cutter unit if cutting condition worsens.

- Turn off the product first.
- Raise and separate the Cutter unit by pulling the cutter holder to the front.
- ☞ Check if the lower side of the new cutter is parallel to the outlet.
- ☞ If it is not, push it up to the lower end by using a screw driver and so on.
- ☞ Insert the cutter into the main body and press it hard to fix it.

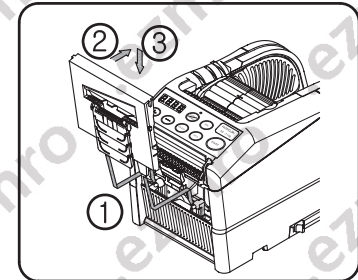


## Checking the unit

### Washing the cutter

Some tapes might cause glue or tape fragments to stick to the cutter. In this case, remove the cutter from the main body and wash it.

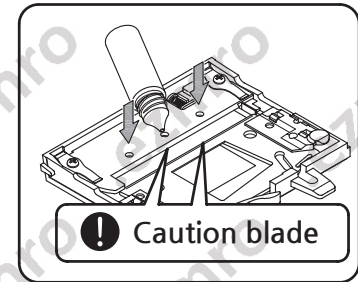
- ☞ Turn off the product and remove the cutter.
- ☞ Remove the sticky material with some alcohol and dry cloth or a swab.
- ☞ Install the cutter.



### Lubrication of the cutter

For smooth operation of the product, regular lubrication is needed.

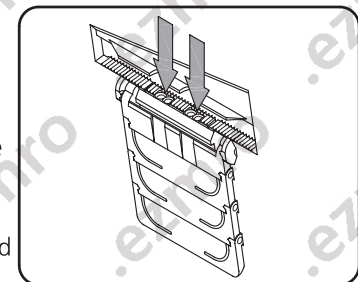
- Turn off the product and remove the cutter.
- Put some oil into the lubrication hole of the cutter.
- Put some oil into the guide rail of the lower blade.
- Install the cutter unit.
- ☞ Wash off the overflow oil.  
(Be sure the oil does not overflow.)
- ☞ Do not forget to test drive before using the product.



### Around the auto sensor

The product cannot detect the tape if the sensor under the tape outlet is dirty.

- ☞ Always keep the sensor clean.
- ☞ Be careful not to scratch the sensor in removing the tape fragments on it.



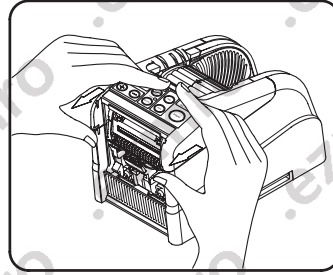
### Washing the main body

Wipe the main body gently with water containing some diluted neutral detergent.  
Never use organic solvents.

# Checking and replacing the F/Frame unit

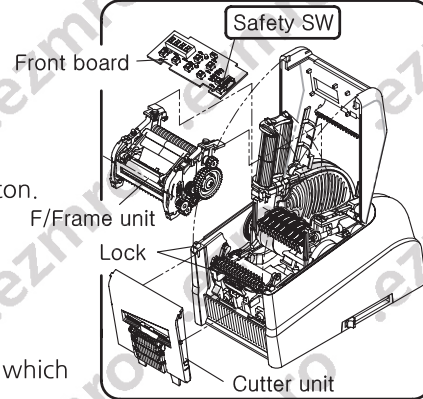
The roller which is damaged or cannot be used any more can be easily exchanged. Refer to the following when the tape is stuck at the outlet or not rolled out smoothly.

- Turn off the product first.
- Pull the cutter holder forward and untie lock device and lift the cutter unit and incline it forward and separate from the main body.
- Pull a front cover with both hands with a picture and untie lock device and turn 90°.

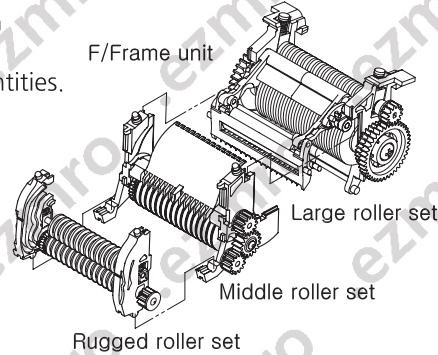


Front board enter the Safety Switch is activated, the front cover is opened, the power is automatically turned off.

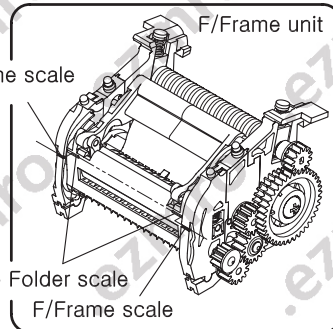
- Separate the front board in the main body.
- Open the guide set by pressing the guide set button.
  - ☞ Guide set, opens the front frame of the lock is released.
- Separate the front frame unit in the main body.
  - ☞ The front frame unit is comprised of three sets with a picture.



- Take an adhesive ingredient and the tape leaving which the roller has and please remove it.
- Change the roller which was awfully damaged with a new roller
- Please paint the axle of rollers with oil in small quantities.
- Assemble rugged roller set which finished check in the main body.
  - ☞ Please check whether all parts were assembled exactly.



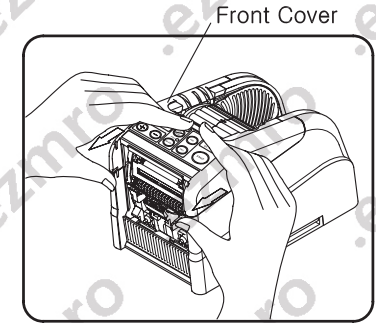
- ☞ Please assemble it in the main body before assembling the front frame in the main body after a division on a scale of the tape folder and the front frame made it agree as horizontal by all means.
- ☞ Trouble can occur if assembled in the main body as the position of the division on a scale of the tape folder missed each other.
- After having closed the guide set, assemble the front board in the main body.
- After having closed a front cover, attach the cutter unit to the main body.
- Close the front cover and attach the cutter unit to the main body.
  - ☞ Assemble the cutter unite in the main body, and please push it like a brick so that it is surely fixed.
  - ☞ Do not forget th test drive before using the product.



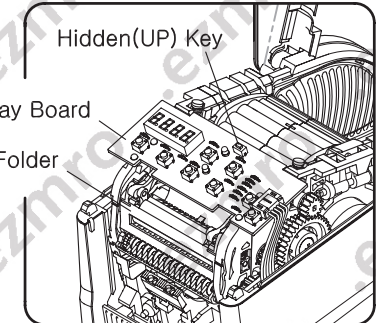
# Checking and replacing the Rugged roller set

This machine separates only rugged roller set particularly and can check it. That tape is not output or when tape folds it for non-normalcy with fold mode, please go.

- Turn off the product first.
- Pull the cutter holder forward and untie lock device and lift the cutter unit and incline it forward and separate from the main body.
- Pull a front cover with both hands with a picture and untie lock device and turn 90°.
- Turn on the product again.

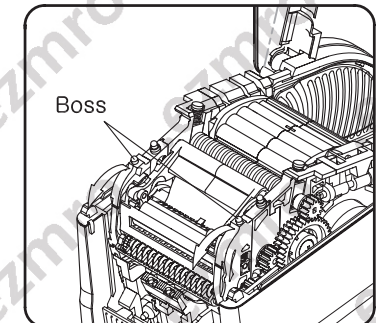


- Push the hidden key of the front board a long time more than 1 sec.



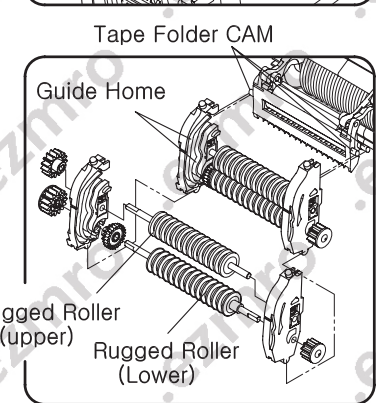
- ☞ The tape folder moves to the top promptly and stops it.
- ☞ The tape folder is not driven if power switch becomes off.

- Turn off power switch and separate a front board in the main body.
- If about 45° turns a fixed projection of rugged roller set forward, rugged roller set separates from the main body.



- Take an adhesive ingredient and the tape leavings which a roller has and please remove it.
- Change the roller which was awfully damaged with a new roller.
- Please paint the axle of rollers with oil in small quantities.

- Assemble rugged roller set which finished check in the main body.



- ☞ Please check whether all parts were assembled exactly.
- ☞ Set a position beforehand so the cam projections of the tape folder are inserted in the frame guide home before assembling rugged roller set in the main body.
- ☞ Trouble can occur if assemble in the main body as the position of the tape folder missed each other.

- Assemble the front board in the main body.
- Close the front cover and attach the cutter unit to the main body.

- ☞ Assemble the cutter unite in the main body, and please push it like a brick so that it is surely fixed.
- ☞ Do not forget th test drive before using the product.

## Error Message

The product buzzing and stopping while used, the following message is displayed.

### E-02 Cutter location error

It is shown when the tape is stuck in the cutter part or the cutter is not correctly mounted in the main body.

- Turn off the product.
- Pull the cutter holder to the front and raise the cutter unit to separate it.
- Turn on the product.
- Press the start button.
- The cutter cam moves to the stand-by location.
- Press the FWD button and eject the tape. Then, cut the tape out of the guide bar with scissors.
- Press the REV button pulling the tape back to take it out.
- Clean the cutter set and put some oil to the lower blade guide.
- Mount the cutter unit to the main body.
- Install the tape according to the method mentioned before.

**E-02**

Power SW OFF



Separating the cutter



power SW ON



Moving the cutter cam to the standby position



Feeding the tape



After checking the tape eject tape comes out



Cleaning & Mount the cutter

### E-03 Motor stop

Sometimes, the motor could be overloaded and stop while feeding the tape.

- Cancel the error message by pressing the start button.
- Move the tape back by pressing the REV button and take it out.
- Check around the cutter or tape mover and remove the tape fragments and the like with the tweezers.
- Install the tape according to the method mentioned before.

**E-03**



Canceling the error



Removing the tape



Checking the tape mover & removing the dirt

### E-04 Folder Drive Motor stop

Sometimes, the folder drive motor could be overloaded and stop while feeding the tape.

- Move the tape back by pressing the REV button and take it out.
- Check around the cutter or tape mover and remove the tape fragments and the like with the tweezers.
- Install the tape according to the method mentioned before.

**E-04**



Removing the tape



Checking the tape mover & removing the dirt

## Malfunction

Please check the following before deciding the product is out of order.

Not working with the power on	<ul style="list-style-type: none"> <li>● AC Cord disconnection</li> <li>● Fuse disconnection</li> </ul>	<ul style="list-style-type: none"> <li>● Check if the cord is connected right.</li> <li>● Replace the fuse to new one.</li> <li>* If the fuse disconnection continues, stop using the product.</li> </ul>
Next part of the tape not coming out even after removing one. (Auto mode)	<ul style="list-style-type: none"> <li>● The manual mode is on</li> <li>● The sensor is dirty.</li> <li>● The tape did not go through the sensor.</li> <li>● There is a light source close to the sensor.</li> <li>● A tape with an extremely low reflexivity is used.</li> </ul>	<ul style="list-style-type: none"> <li>● Set the automatic mode.</li> <li>● Clean the product.</li> <li>● When using a tape less than 10mm wide, please use the separation plate</li> <li>● Do not let the light source reach the sensor.</li> <li>● There are some tapes not available with the automatic mode.</li> </ul>
Abnormal operation of the cutter	<ul style="list-style-type: none"> <li>● The Cutter set installed wrong.</li> </ul>	<ul style="list-style-type: none"> <li>● Check if the cutter unit is correctly installed on the main body.</li> </ul>
Difference between the actual length and the set one	<ul style="list-style-type: none"> <li>● A highly adhesive tape is used.</li> <li>● A slippery tape is used.</li> <li>● An elastic tape is used.</li> </ul>	<ul style="list-style-type: none"> <li>● Test cut and correct the difference.</li> </ul>
Tape curled up	<ul style="list-style-type: none"> <li>● The brake lever is no used.</li> </ul>	<ul style="list-style-type: none"> <li>● Use the brake lever</li> </ul>



If the product keeps showing disorder even after following those mentioned above, please stop using it and call the seller or the manufacturer.

## Specifications

Power requirement	AC100-240V Free Volt
Input voltage range	±5%
Power consumption	25W
Dimensions	116 W x 148 H x 221 D mm
Weight	2.5Kg
Material	Special ABS resin
Cutting width	6~60mm *1
Cutting length	General 5~999mm *2 Fold 15~999mm
Moving speed	200mm/sec
Tape diameter	φ30~φ300 *3
Accessories	Power cord, 2A fuse(Extra 1pc built inside the AC inlet) Separation plate & auxiliary separation plate, Oil can (Silicon Oil 3.5cc)

\*1, \*2, \*3 might not be available depending on the type of tape and condition of use.

This machine may change its parts without prior notification for product improvement. Please understand.

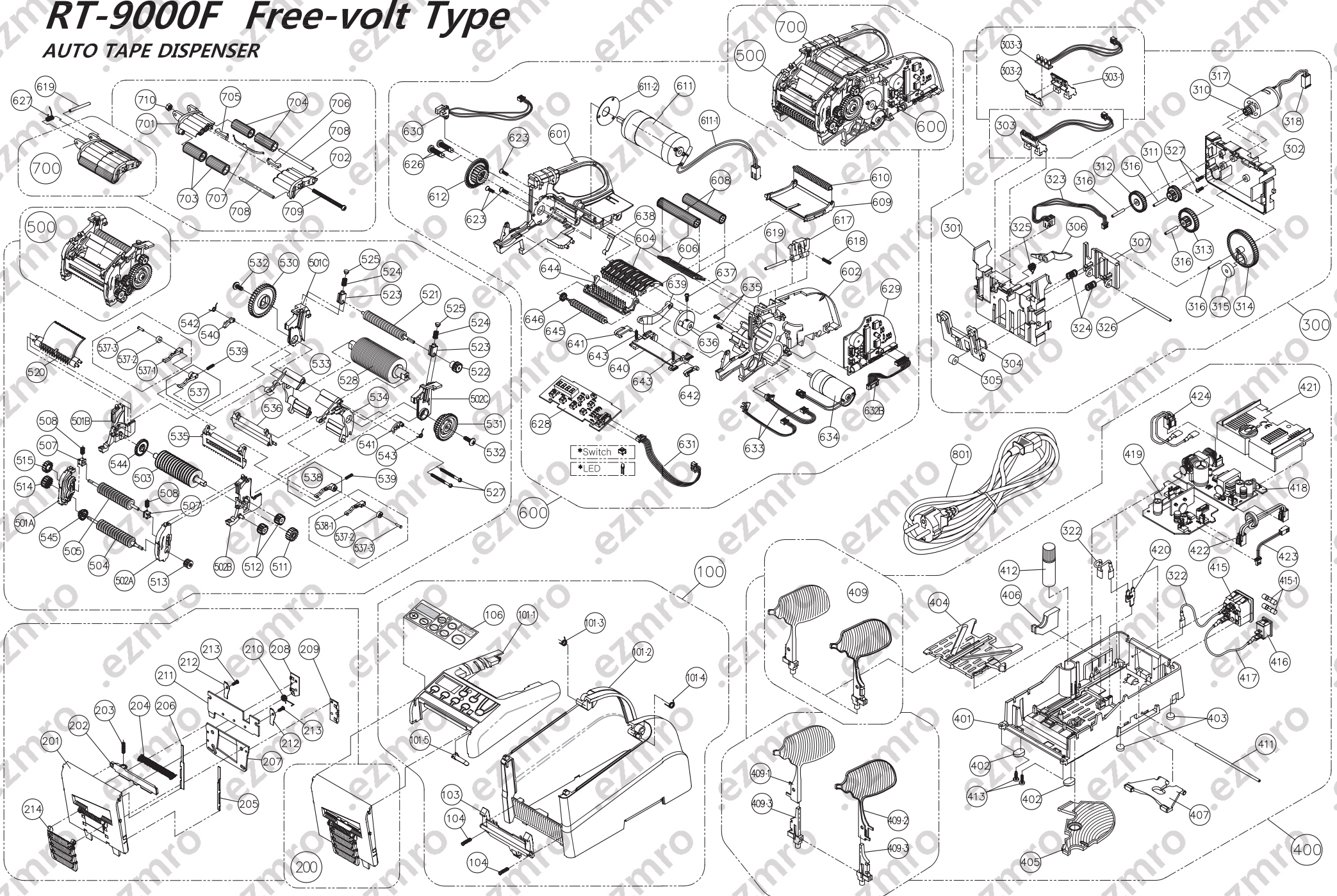


Do not use the tape which can cause thousands volts of static electricity while use. Or, there might be an accident.



# RT-9000F Free-volt Type

AUTO TAPE DISPENSER



**.ezmro**

Rm No.501, STX W Tower, #90, Gyeonginro53-Gil, Guro-Gu, Seoul, KOREA  
Tel 82-2-2631-1921 Fax 82-2-2631-1941