

S100 series

Ø100mm Bulb Revolving Signal Lights



S100M

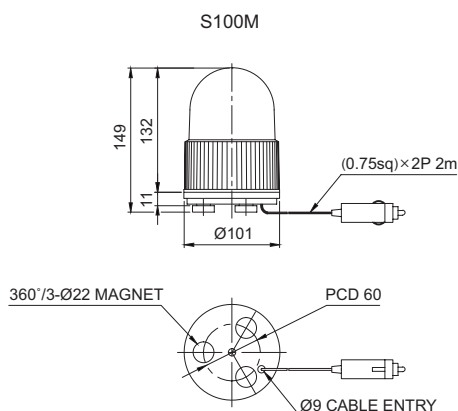


S100M Bulb Revolving Signal Light for Vehicle

- Three powerful magnets provide strong adhesion to the vehicle
- Power supply through cigarette lighter plug
- Protection rating : IP54

Model number	Voltage	Current	Bulb			Certificates	Weight	Color
			Spec	Standard	Parts no			
S100M	DC12V	0.966A	12V10W	T16x35 15S	9	CE	0.37kg	• R-Red • A-Amber
	DC24V	0.566A	24V10W	T16x35 15S	10		0.37kg	• G-Green • B-Blue

Technical Diagram (Units : mm)



Wiring Instructions

- Cigarette lighter plug, IEC42(0.75sq)×2P 2m

Customization

- AC Type

Ordering Specification

S100M	-	BZ	-	24	-	R
[Model number]		[Buzzer option]		[Voltage]		[Color]
• S100M		• None • No buzzer • BZ • Built-in buzzer		• 12-DC12V • 24-DC24V		• R-Red • A-Amber • G-Green • B-Blue