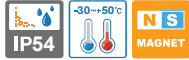


S100 series

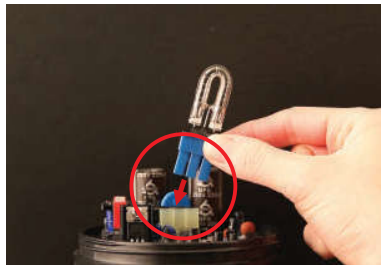
Ø100mm Xenon Lamp Strobe Signal Lights



S100S



S100SM



Xenon lamp replacement instructions

Convenient lamp replacement with connector lamp type. Lamp replacement is safe after the product is powered off for 30 mins.

Customization

- AC type (S100SM)
- Wall mount bracket options (S100S) : Bracket structure allows for threading through the bracket hole or into the wall mount



Wall Mount Bracket SWP125



Wall Mount Bracket SWM125

Common Specifications(S100S/ S100SM)

- Ø100mm xenon lamp strobe signal lights
- High efficiency strobe light that offers excellent outdoor visibility and long-distance signal light luminance close to natural light
- Lamp connector structure for convenient lamp replacement
- Flashing rate : 60-80 flashes/min
- Material : Lens -AS, Housing-ABS
- Ambient operating temperature : -30°C to +50°C
- Protection rating : IP54

S100S Xenon Lamp Strobe Signal Light

- Certificates : KIMM, CE Compliant

Model number	Voltage	Current	Bulb			Certificates	Weight	Color
			Spec	Standard	Parts no			
S100S	DC12V -24V	Max. 1.000A	200V -550V	EUB0641 -1A(G) U type	48	CE DC only	0.25kg	• R-Red
	AC110V	0.135A						• A-Amber
	AC220V	0.105A						• G-Green

Wiring Instructions

- External power line standard : UL1015 AWG18(0.75sq)×2C 400mm
- Product can be wired regardless of polarity

S100SM Magnet Mount Xenon Lamp Strobe Signal Light

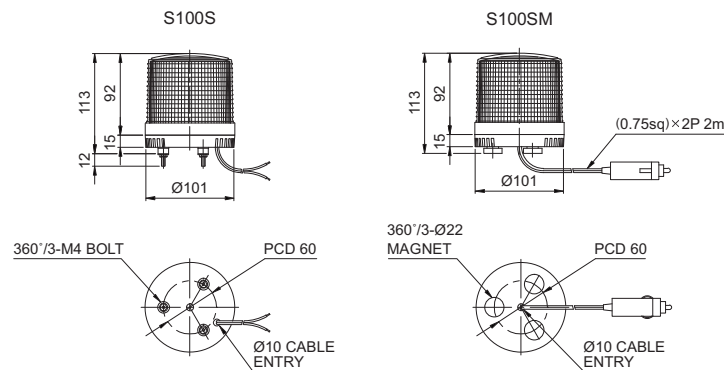
Model number	Voltage	Current	Bulb			Certificates	Weight	Color
			Spec	Standard	Parts no			
S100SM	DC12V -24V	Max. 1.000A	200V -550V	EUB0641 -1A(G) U type	48	CE	0.34kg	• R-Red • A-Amber • G-Green • B-Blue

Wiring Instructions

- Cigarette lighter plug, IEC42(0.75sq)×2P 2m

Technical Diagram

(Units : mm)



Ordering Specification

S100S	-	220	-	R
[Model number]		[Voltage]		[Color]
• S100S • S100SM		• 12/24-DC12V-24V • 110-AC110V • 220-AC220V		• R-Red • A-Amber • G-Green • B-Blue



Signal & Electric Horn/ Speakers



Vessels and Heavy-Duty Equipment



Explosion Proof



Warning Light Bar



Aviation Obstruction Lights



Signal Tower Lights



USB/ETN Signal Tower Lights



Wireless Network System



Electric Horn/ Speakers



Industrial LED Lights