

S125 series

Ø125mm LED Revolving Warning Lights



S125LR



Common Specifications(S125LR/ S125MLR)

- Ø125mm standard LED revolving warning lights
- Excellent omni-directional visibility with LED light collecting system and special multifaceted reflector
- Built-in buzzer available(Volume : Max 90dB at 1m)
- Revolving speed : 120-140RPM
- Materials : Lens - AS, Housing - ABS, Reflector - Heat resistant ABS
- Ambient operating temperature : -20°C to +50°C



S125LR LED Revolving Warning Light

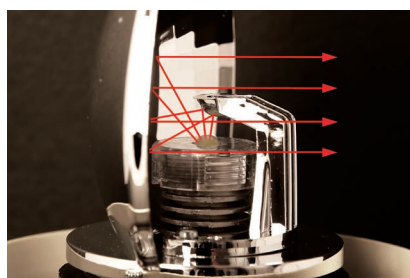
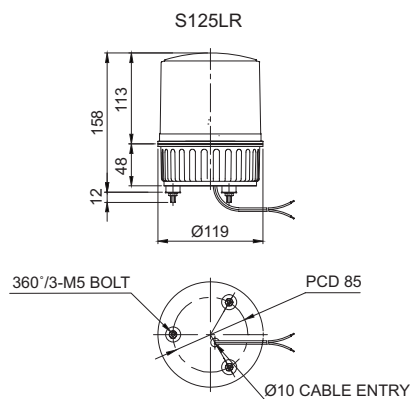
- Protection rating : IP44
- Compliant with RoHS directive

Model number	Voltage	Current	Certificates	Weight	Color
S125LR	DC12V	0.422A	-	0.43kg	<ul style="list-style-type: none"> ● R-Red ● A-Amber ● G-Green ● B-Blue
	DC24V	0.266A		0.43kg	
	AC110V	0.082A		0.66kg	
	AC220V	0.041A		0.66kg	



Technical Diagram

(Units : mm)



Feature of LED revolving warning light

LED revolving warning light has Qlight's distinctive LED light collecting system and special multifaceted reflector allowing excellent omni-directional visibility.



Wiring Instructions

- External power line standard : UL1015 AWG18(0.75sq)×2C 400mm
- DC Type: Black output line is negative(-)



Customization

- 2 buzzer sound types : Both prolonged(beep, beep) and staccato(beep, beep, beep) buzzer output available

- Same design with S125R (Model number : S125RLR)
- Wall mount bracket options : Bracket structure allows for threading through the bracket hole or into the wall mount



S125RLR



Wall Mount Bracket
SWP125



Wall Mount Bracket
SWM125



Ordering Specification

S125LR	-	BZ	-	220	-	R
[Model number]		[Buzzer option]		[Voltage]		[Color]
• S125LR		• None • No buzzer • BZ • Built-in buzzer		• 12-DC12V • 24-DC24V • 110-AC110V • 220-AC220V		• R-Red • A-Amber • G-Green • B-Blue