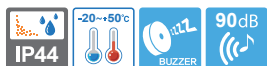


S150 series

Ø150mm Large Sized Warning Lights



S150U



S150U-FT



S150ULR



S150ULR-FT



Common Specifications(S150U/ S150ULR)

- Special power transmission system which allows low noise and less wear
- Mounting bracket allows convenient installation in case of XXX-FT type
- Built-in buzzer available (Volume : Max 90dB at 1m)
- Revolving speed : 120-140RPM
- Materials : Lens - PC, Housing - ABS, Reflector - PC/Heat resistant ABS, Mounting bracket - STS
- Ambient operating temperature : -20°C to +50°C
- Protection rating : IP44



S150U/ S150U-FT Bulb Revolving Warning Lights

- Suitable for Long distance signal transmission by adopting high capacity bulb and large sized reflector

Model number	Voltage	Current	Bulb			Certificates	Weight	Color
			Spec	Standard	Parts no			
S150U	DC12V	1.155A	12V15W	G23 15S	17	-	0.65kg	● R-Red
	DC24V	0.766A	24V15W	G23 15S	18		0.65kg	● A-Amber
S150U-FT	AC110V	0.204A	12V15W	G23 15S	17		1.04kg	● G-Green
	AC220V	0.102A	12V15W	G23 15S	17		1.04kg	● B-Blue



S150ULR/ S150ULR-FT LED Revolving Warning Lights

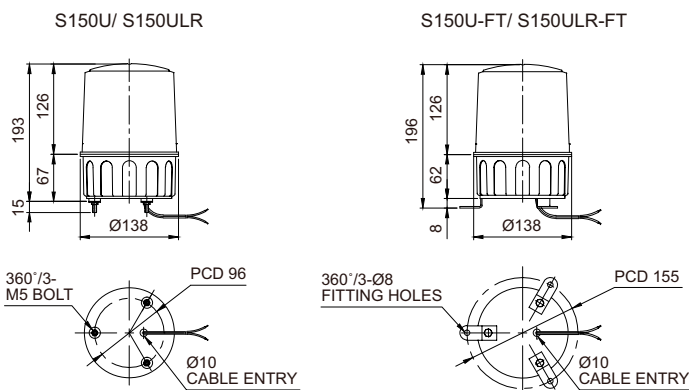
- Excellent omni-directional visibility with LED light collecting system and special multifaceted reflector

Model number	Voltage	Current	Certificates	Weight	Color
S150ULR	DC12V	0.422A	-	0.66kg	● R-Red
	DC24V	0.266A		0.66kg	● A-Amber
S150ULR-FT	AC110V	0.082A		0.85kg	● G-Green
	AC220V	0.041A		0.85kg	● B-Blue



Technical Diagram

(Units : mm)



Wiring Instructions

- External power line standard : UL1015 AWG18(0.75sq)×2C 400mm
- DC Type : Black output line is negative(-)



Customization

- 2 buzzer sound types : Both prolonged(beep, beep) and staccato(beep, beep, beep) buzzer output available



Ordering Specification

S150U	-	BZ	-	220	-	R
[Model number]		[Buzzer option]		[Voltage]		[Color]
• S150U		• None		• 12-DC12V		• R-Red
• S150U-FT		• No buzzer		• 24-DC24V		• A-Amber
• S150ULR		• BZ		• 110-AC110V		• G-Green
• S150ULR-FT		• Built-in buzzer		• 220-AC220V		• B-Blue