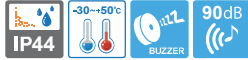


S180 series

Ø180mm Xenon Lamp Strobe Signal Lights



S180US/ S180UHS



S180UHS is equipped with the hyper brightness xenon lamp, and emits a strong flashing light.

S180UHS ultra high intensity strobe light has 3 built-in high intensity xenon lamps!

Maintains excellent visibility even in distant environments where there is a lot of fog or dust.



S180UHS type is a product that improves long distant visibility by equipping three high-intensity xenon lamps. The high performance product is typically used in harbors where there is fog, or mills/ steel mills where there is dust.



Common Specifications(S180US/ S180UHS)

- Excellent long distance visibility from flashing light of the high capacity xenon lamp
- Adopts a translucent lens which provides a luminous light and subdued signal
- Convenient lamp change adopts lamp connector type structure
- Built-in buzzer available(Volume : Max 90dB at 1m)
- Materials: Lens-ABS, Housing-ABS
- Flashing rate : 60-80 flashes/min(2 time consecutively flashing off or two in a row)
- Ambient operating temperature : -30°C to +50°C
- Protection rating : IP44



S180US Xenon Lamp Strobe Signal Light

Model number	Voltage	Current	Bulb			Certificates	Weight	Color
			Spec	Standard	Parts no			
S180US	DC12V -24V	Max. 1.280A	280V -400V	BH0647(G) W Type	49	-	0.84kg	• R-Red
	AC110V	0.270A					0.80kg	• A-Amber
	AC220V	0.220A					0.80kg	• G-Green • B-Blue



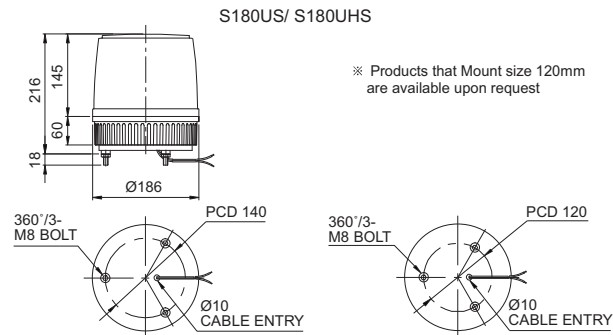
S180UHS Hyper Brightness Xenon Lamp Strobe Signal Light

Model number	Voltage	Current	Bulb			Certificates	Weight	Color
			Spec	Standard	Parts no			
S180UHS	DC12V -24V	Max. 2.280A	280V -400V	BH0647(G) W Type	49	-	1.18kg	• R-Red
	AC110V	0.890A					1.02kg	• A-Amber
	AC220V	0.450A					1.02kg	• G-Green • B-Blue



Technical Diagram

(Units : mm)



Wiring Instructions

- External power line standard : UL1015 AWG18(0.75sq)×2C 400mm
- DC type : Black output line is negative(-)



Customization

- 2 buzzer sound types : Both prolonged(beep, beep) and staccato(beep, beep, beep) buzzer output available
- The product mount hole size 120mm(PCD 120mm)



Ordering Specification

S180US	BZ	220	R
[Model number]	[Buzzer option]	[Voltage]	[Color]
• S180US • S180UHS	• None • No buzzer • BZ • Built-in buzzer	• 12/24-DC12V-24V • 110-AC110V • 220-AC220V	• R-Red • A-Amber • G-Green • B-Blue