

S60R



S60LR



S60L



Common Specifications(S60R/ S60LR/ S60L)

- Ø60mm compact warning/ signal lights
- Materials : Lens-AS, Housing-ABS, Reflector-Heat resistant ABS
- Ambient operating temperature : -20°C to +50°C
- Protection rating : IP44



S60R Bulb Revolving Warning Light

- Revolving speed : 120-140RPM
- Certificates : CE Compliant

Model number	Voltage	Current	Bulb			Certificates	Weight	Color
			Spec	Standard	Parts no			
S60R	DC12V	0.484A	12V5W	T16x35 15S	5	CE DC only	0.18kg	• R-Red
	DC24V	0.310A	24V5W	T16x35 15S	6		0.18kg	• A-Amber
	AC110V	0.072A	110V5W	T16x35 15D	7		0.27kg	• G-Green
	AC220V	0.036A	220V5W	T16x35 15D	8		0.27kg	• B-Blue



S60LR LED Revolving Warning Light

- Revolving speed : 120-140RPM

Model number	Voltage	Current	Certificates	Weight	Color
S60LR	DC12V	0.183A	-	0.21kg	• R-Red
	DC24V	0.127A		0.21kg	• A-Amber
	AC110V	0.040A		0.28kg	• G-Green
	AC220V	0.020A		0.28kg	• B-Blue



S60L LED Steady/ Flashing Signal Light

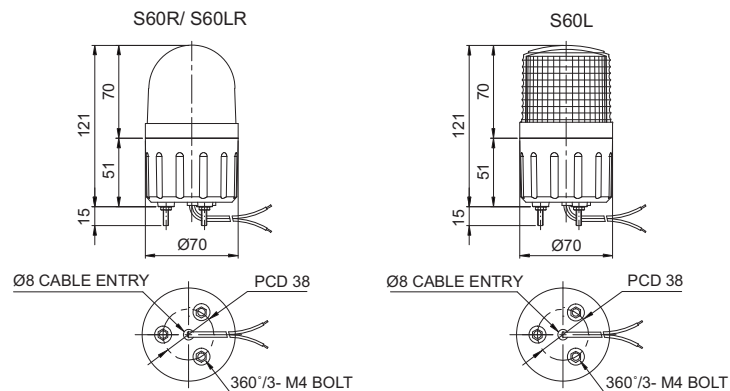
- Flashing rate : 60-80 flashes/min

Model number	Voltage	Current	Certificates	Weight	Color
S60L	DC12V-24V	Max.0.120A	-	0.15kg	• R-Red
	AC110V	0.025A		0.20kg	• A-Amber
	AC220V	0.015A		0.20kg	• G-Green • B-Blue



Technical Diagram

(Units : mm)



Wiring Instructions

- External power line standard : UL1015 AWG18(0.75sq)×2C 400mm
- DC type for S60R/S60LR : Black output line is negative(-)
- S60L can be wired regardless of polarity



Ordering Specification

S60R	-	24	-	R
[Model number]		[Voltage]		[Color]
<ul style="list-style-type: none"> • S60R • S60LR • S60L 		<ul style="list-style-type: none"> • 12-DC12V • 24-DC24V • 12/24-DC12V-24V(S60L only) • 110-AC110V • 220-AC220V 		<ul style="list-style-type: none"> • R-Red • A-Amber • G-Green • B-Blue



Customization

- Wall mount bracket options:
Bracket structure allows for threading through the bracket hole or into the wall mount



Wall Mount Bracket
TWS45



Wall Mount Bracket
TWA45