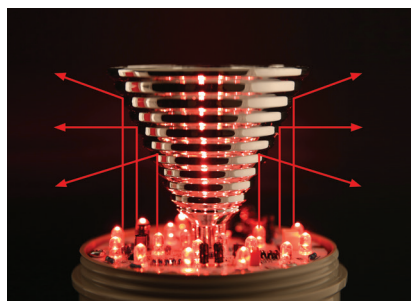


S80 series

Ø80mm LED Steady/ Flashing Signal Lights



S80L



Feature of indirect light diffusing system
Indirect light diffusing system emits intense and constant level of signal lights via multi reflector throughout the lens.

S80L LED Steady/ Flashing Signal Light

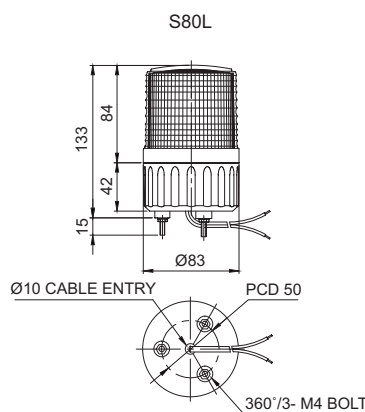
- Ø80mm LED steady/ flashing signal lights
- Multi reflector system emits intense and constant level of signal lights
- Built-in switch for selection between steady and flashing mode
- Built-in buzzer available (Volume : Max 90dB at 1m)
- Flashing rate : 60-80 flashes/min
- Materials : Lens-AS, Housing-ABS, Reflector-Heat resistant ABS
- Ambient operating temperature : -30°C to +50°C
- Protection rating : IP44
- Certificates : CE Compliant
- Compliant with RoHS directive

Specifications

Model number	Voltage	Current	Certificates	Weight	Color
S80L	DC12V-24V	Max.0.125A	DC24V only	0.20kg	● R-Red ● A-Amber ● G-Green ● B-Blue
	AC110V	0.035A		0.32kg	
	AC220V	0.020A		0.32kg	

Technical Diagram

(Units : mm)

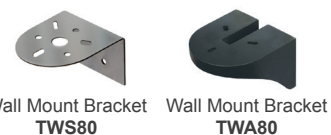


Wiring Instructions

- External power line standard : UL1015 AWG18(0.75sq)×2C 400mm
- Product can be wired regardless of polarity

Customization

- Wall mount bracket options :
Bracket structure allows for threading through the bracket hole or into the wall mount



Ordering Specification

S80L	-	BZ	-	24	-	R
[Model number]		[Buzzer option]		[Voltage]		[Color]
• S80L		• None • No buzzer • BZ • Built-in buzzer		• 12-DC12V • 24-DC24V • 110-AC110V • 220-AC220V		• R-Red • A-Amber • G-Green • B-Blue

