

SAB130
-Bell housing Ø130mm

SAB200
-Bell housing Ø200mm



SAB130



SAB200

SAB130/ SAB200 Max 95dB

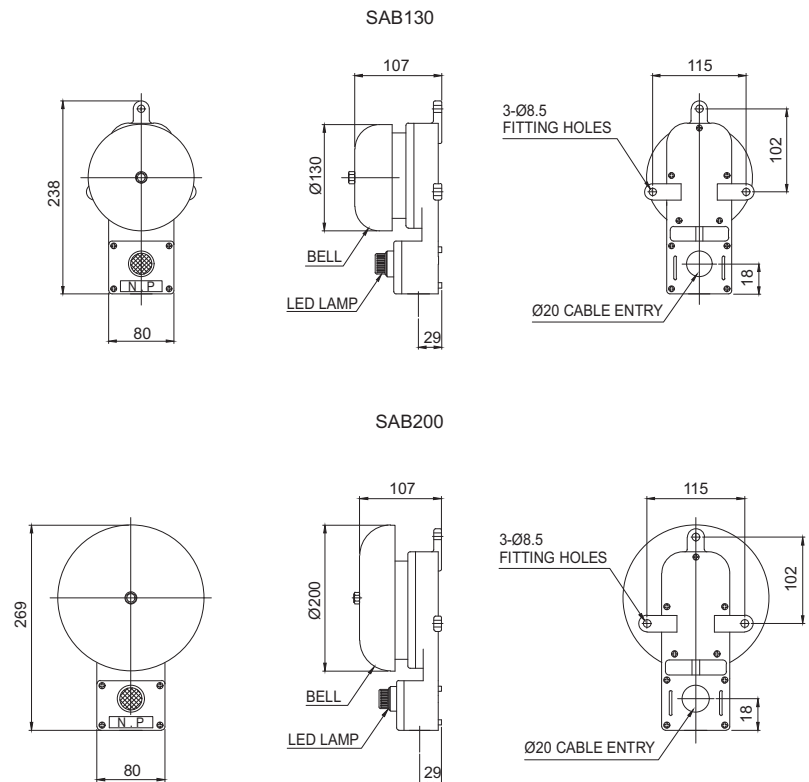
- Electric solenoid bell system provides excellent durability to vibration and shock for vessels and large facilities
- Special material for bell housing provides clear and crisp alarm sound
- Excellent vibration and shock resistant structure for superior durability
- Easy wiring and maintenance with terminal box attached
- Lamp attached provides visual signals
- Bell and lamp operation is synchronized. Each function can also operate separately
- Sound volume : Max 95dB at 1m
- Standard color : Housing-beige, Bell/ Lamp-Red
- Materials : Bell-Steel, Housing-ABS
- Ambient operating temperature : -25°C to +50°C
- Protection rating : IP56
- Cable entry : Ø20

Specifications

| Model number | Frequency | Volume | Bell diameter | Voltage | Current | Certificates | Weight | Bell/ Lamp color |
|--------------|-----------|--------|---------------|---------|---------|--------------|--------|------------------|
| SAB130 | 400-600Hz | 95dB | 130mm | DC24V | 1.100A | - | 1.88kg | • R-Red |
| SAB200 | | | | AC110V | 0.350A | | | |
| | | | 200mm | AC220V | 0.300A | | 2.00kg | |

Technical Diagram

(Units : mm)



Customization

- Two way cable entries with PG19

Ordering Specification

| | | | | |
|--|---|--|---|---|
| SAB200 | - | 110 | - | CG |
| [Model number] | | [Voltage] | | [Cable gland] |
| <ul style="list-style-type: none"> • SAB130 • SAB200 | | <ul style="list-style-type: none"> • 24-DC24V • 110-AC110V • 220-AC220V | | <ul style="list-style-type: none"> • Standard • Back wiring type • CG • Built-in cable gland type |