

# SAOL2

## Low Intensity LED Aviation Obstruction Light



Applied on tall structures for collision avoidance measures and airport runway safety



Obtained Certification from the International Civil Aviation Organization



SAOL2



SAOL2P

Wire is not exposed outside in the pole mount model.

### SAOL2 Low Intensity LED Aviation Obstruction Light

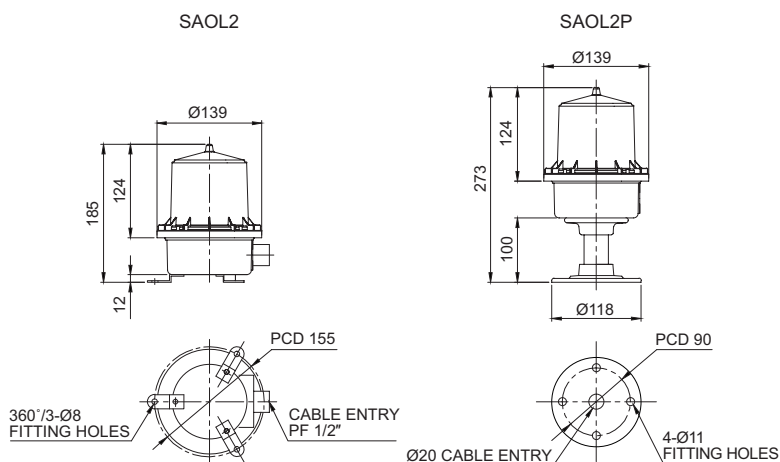
- Low intensity A type aviation obstruction lights are installed onto fixed objects that are less than 150m from the land or water surface

ICAO standard	Low intensity A type		
Light source	High intensity light emitting diodes		
Light color	Red		
Light function	Steady		
Voltage	DC12V, DC24V, AC110V-220V		
Power consumption	9W		
Standard housing color	Red	Cable entry	PF 1/2"
Materials	Lens-PC, Housing-Al		
Protection rating	IP66	Ambient operating temperature	-30°C to +50°C
Certificates	ICAO, CE	Luminous intensity	19cd ±25%



#### Technical Diagram

(Units : mm)



#### Customization

- Cable gland - PF 1/2"  
Standard model is not equipped with cable gland
- Built-in darkness detecting sensor available
- Amber housing, mounting baret is available upon request



#### Ordering Specification

<b>SAOL2</b>	-	<b>24</b>	-	<b>R</b>
[Model number]		[Voltage]		[Color]
<ul style="list-style-type: none"> <li>• SAOL2</li> <li>• SAOL2P</li> </ul>		<ul style="list-style-type: none"> <li>• 12-DC12V</li> <li>• 24-DC24V</li> <li>• 110/220</li> <li>-AC110V-220V</li> </ul>		<ul style="list-style-type: none"> <li>• R-Red</li> </ul>