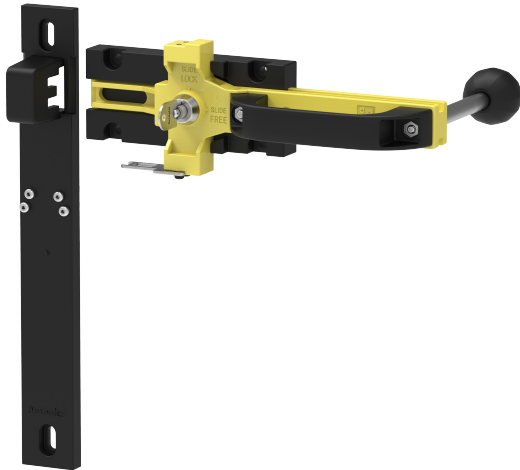


Safety Door Lock Slide Key Unit



SFDL-SDK Series CATALOG

For your safety, read and follow the considerations written in the instruction manual, other manuals and Autonics website.

The specifications, dimensions, etc. are subject to change without notice for product improvement. Some models may be discontinued without notice.

Main Features

- Using the lock out key, preventing the situation that a worker is locked in the working area
- With the lock out function, preventing operation of machine when a worker is in the working area
- Able to install on the 40mm × 40 mm aluminum profile

Ordering Information

This is only for reference, the actual product does not support all combinations. For selecting the specified model, follow the Autonics website.

SFDL - SDK - ①

① Key type

No mark: basic type (no engraved key number)
01 to 20: key number 01 to 20

Product Components

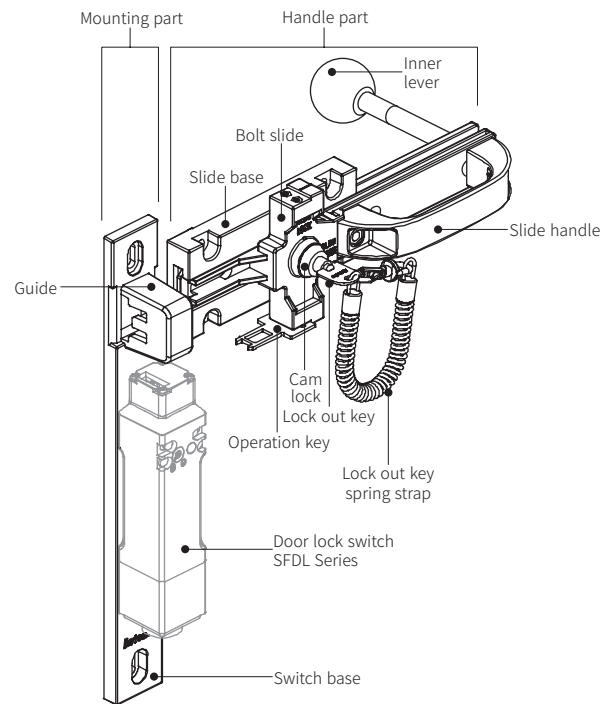
- Instruction manual
- Slide key unit mounting part × 1
- Slide key unit handle part × 1
- Inner lever × 1
- Door lock switch mounting M4 bolt × 4 / M4 spring washer × 4
- Operation key mounting M4 bolt × 2 / M4 spring washer × 2 / M4 flat washer × 2
- Korean warning label × 1 / English warning label × 1
- Operation key (SFD-KH) × 1
- Lock out key × 2
- Spring strap for lock out key × 1

Specifications

Model	SFDL-SDK
Ambient temperature	-10 to 55 °C, storage: -20 to 75 °C (no freezing or condensation)
Ambient humidity	≤ 95%RH, storage: 35 to 85%RH (no freezing or condensation)
Mechanical durability	≥ 20,000 times
Material	Polyamide 66
Unit weight (Packaged)	≈ 720 g (≈ 900 g)

Unit Description

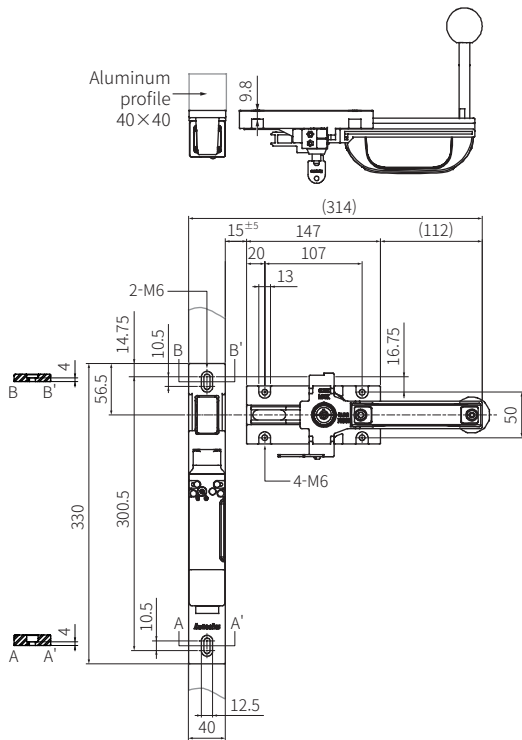
- Following image shows the status when door is opened.



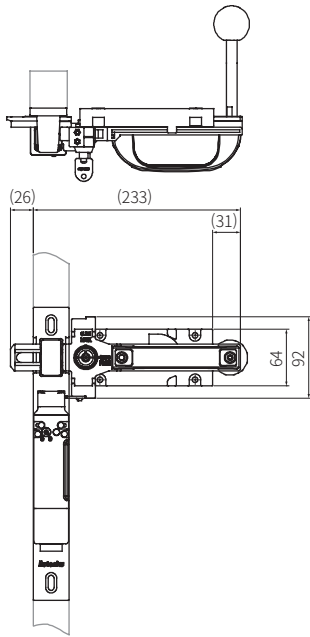
Dimensions

- Unit: mm, For the detailed dimensions of the product, follow the Autonics web site.
- Figures in () can be differed according to the installing environment and product operation.

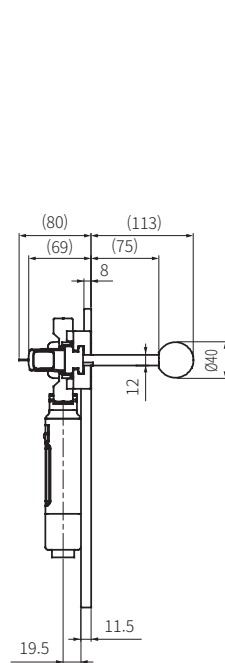
■ When the door is opened



■ When the door is closed



■ Side



■ Operation key (SFD-KH)

