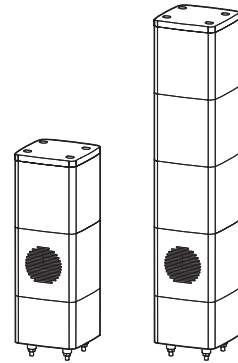


Stackable Cube Tower Lights with Alarm Sounder

SJD/ SJDL/ SJDS



Thank you for purchasing Qlight's products. Please read this user manual carefully prior to installation and operation to ensure safe and correct use.

⚠ Precautions for Safety

Failure to follow the instructions below may cause a loss of life or serious physical injury.

1. During wiring or maintenance, please completely turn off the power of the product. (Failure to follow this may lead to an electric shock.)
2. Do not install the product in locations that subjects it to excessive dust or water other than the conditions designated by the IP protection ratings indicated for each product. (Failure to follow these instructions may cause a fire to the product, electric shock, physical injury, malfunction or damage to the product.)
3. Do not alter or repair this product. If maintenance or repair service is required, please contact your local Qlight contact point. (Failure to follow these instructions may lead to fire, electric shock, or product damage.)
4. Please apply the correct voltage to the product. (Failure to follow these instructions may lead to fire, electric shock, or product damage.)
5. When the product is applied to a condition that may impact lives or property, please make sure to have a double safety device. (Failure to follow this may cause damage to property, fire, electric shock and loss of life.)

⚠ Precautions for Correct Use

Failure to follow the proper instructions may cause damage to property, the product, or malfunction of the product that would void the warranty.

1. Please remove any objects that can interrupt ventilation around the product.
2. Please turn off the power of the product immediately if it fails to operate properly.
3. Carefully wire the product according to each product's specification.
4. Please be careful in preventing chemicals such as thinner, benzene, etc. in contact with the surface of the product.
5. Do not apply excessive force/impact to the product.
6. Failure to follow any of the instructions above may cause malfunction or damage to the product, fire, and electric shock.

Ordering Specifications

SJD	WA	3	220	RAG
[Model number]	[Sound]	[Layer]	[Voltage]	[Color]
• SJD	• WS - Warning sounds • WM - Melodies • WA - Alarms • WV-Customizable sounds	• 1-1Layer • 2-2Layers • 3-3Layers	• 12-DC12V • 24-DC24V • 110-AC110V • 220-AC220V	R-Red A-Amber G-Green
• SJDL • SJDS	• WS - Warning sounds • WM - Melodies • WA - Alarms • WV-Customizable sounds	• 1-1Layer • 2-2Layers • 3-3Layers	• 12/24-DC12V-24V • 110-AC110V • 220-AC220V	R-Red A-Amber G-Green



Please scan the QR code for more detailed product information

www.qlight.com

Product Specifications

• SJD

Model number	layer	Voltage	Current	Bulb specifications			Sound pattern and volume	Certificate	Weight	Color
				Volts/Watts	Configuration	Part#				
SJD	1	DC12V	0.751A	12V5W	T16x35 15S	5	<ul style="list-style-type: none"> • WS - 5 Warning sounds : 90dB • WM - 5 Melodies : 90dB • WA - 5 Alarms : 85dB • WV - 5 Customizable sounds : 80dB 	-	1.41kg	R - Red
		DC24V	0.521A	24V5W		6				
		AC110V	0.164A	12V5W		5				
		AC220V	0.082A	12V5W		5				
	2	DC12V	1.235A	12V5W		5			1.65kg	R - Red G - Green
		DC24V	0.831A	24V5W		6				
		AC110V	0.208A	12V5W		5				
		AC220V	0.104A	12V5W		5				
	3	DC12V	1.720A	12V5W		5			1.90kg	R - Red A - Amber G - Green
		DC24V	1.141A	24V5W		6				
		AC110V	0.191A	12V5W		5				
		AC220V	0.126A	12V5W		5				

• SJDL

Model number	layer	Voltage	Current	Sound pattern and volume	Certificate	Weight	Color
SJDL	1	DC12V-24V	Max.0.340A	<ul style="list-style-type: none"> • WS - 5 Warning sounds : 90dB • WM - 5 Melodies : 90dB • WA - 5 Alarms : 85dB • WV - 5 Customizable sounds : 80dB 	-	1.63kg	R - Red
		AC110V	0.125A				
		AC220V	0.065A				
	2	DC12V-24V	Max.0.490A			1.80kg	R - Red G - Green
		AC110V	0.140A				
		AC220V	0.070A				
	3	DC12V-24V	Max.0.600A			2.04kg	R - Red A - Amber G - Green
		AC110V	0.155A				
		AC220V	0.080A				

• SJDS

Model number	layer	Voltage	Current	Sound pattern and volume	Certificate	Weight	Color
SJDS	1	DC12V-24V	Max.0.990A	<ul style="list-style-type: none"> • WS - 5 Warning sounds : 90dB • WM - 5 Melodies : 90dB • WA - 5 Alarms : 85dB • WV - 5 Customizable sounds : 80dB 	-	1.25kg	R - Red
		AC110V	0.195A				
		AC220V	0.140A				
	2	DC12V-24V	Max.1.170A			1.45kg	R - Red G - Green
		AC110V	0.330A				
		AC220V	0.245A				
	3	DC12V-24V	Max.2.435A			1.64kg	R - Red A - Amber G - Green
		AC110V	0.465A				
		AC220V	0.350A				

• Protection rating : IP23

• Ambient operating temperature : -20°C to +50°C

※ Please refer to page 3 for detailed information about selectable sound patterns.

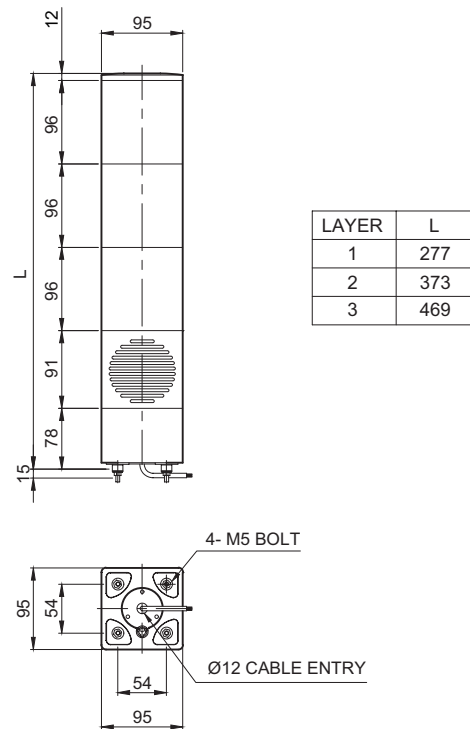
Sound Type by Group

	Sound category	Channel	Sound tone	Volume
WS	5 Warning sounds	Ch1	Fire.A-ANG	90dB
		Ch2	Emergency WA-U(Yelp)	
		Ch3	Ambulance PI-PO	
		Ch4	Machinery Fault	
		Ch5	High Expansion	
WM	5 Melodies	Ch1	Sweet Home	90dB
		Ch2	For Elise	
		Ch3	Cuckoo's Waltz	
		Ch4	Piano Sonata	
		Ch5	Turkish March	
WA	5 Alarms	Ch1	Beep Intermittent	85dB
		Ch2	Door Chime	
		Ch3	Phone Ring	
		Ch4	PI.PI.PI Short	
		Ch5	Tripping Beat	
WV	5 Customizable sounds	Ch1	Available upon request (customized voice type)	80dB
		~		
		Ch5		

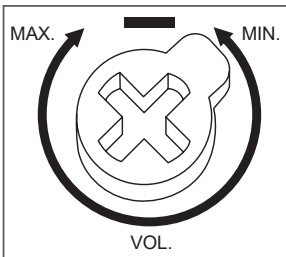
Dimensions

(Units : mm)

SJD/ SJDL/ SJDS



Volume Adjustment



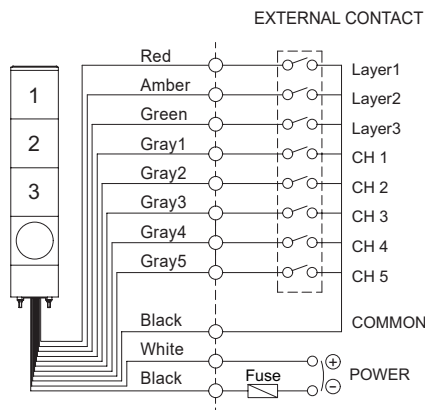
Volume Dial

- The volume output of this product is adjustable.
- Turn the volume dial clockwise to increase the volume, and turn counter clockwise to decrease the volume.
- There will be no sound when the dial is put at MIN.

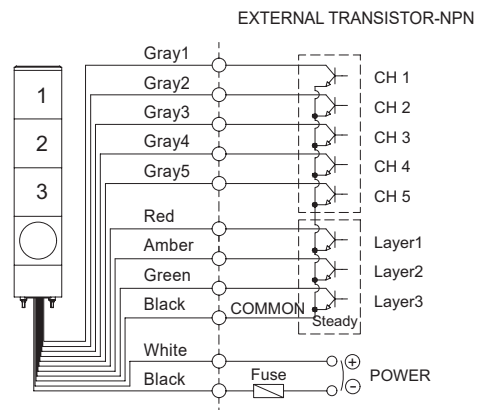
Wiring Instructions

- SJDL series type can be wiring with external contact and transistor.
- Wiring to transistor, use the NPN transistor. Please wire properly based on technical diagram.
- Bulb type SJD and xenon lamp type SJDS can not be wiring with transistor. Please use external contact.

SJD/SJDL/SJDS-DC/AC



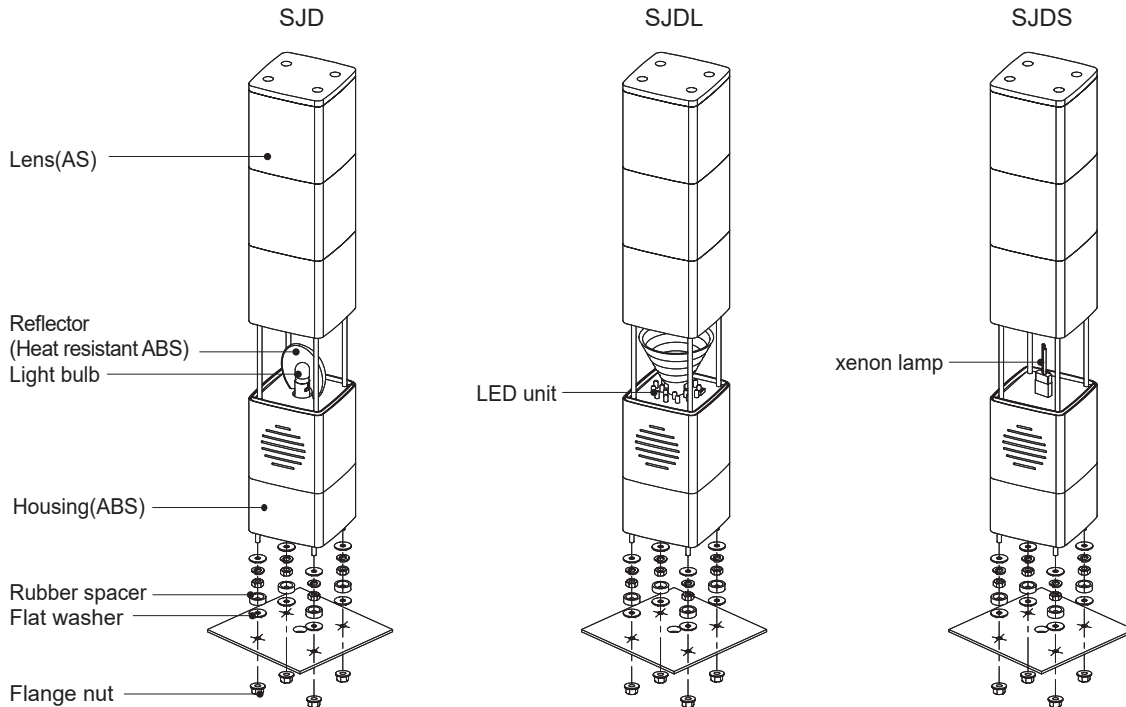
SJDL-DC/AC



- External power line - UL1015 AWG18(0.75sq) × 2C 400mm
- External signal line - UL1007 AWG22(0.3sq) 400mm

Parts Definition/ Installation/ Mounting Hole Specifications

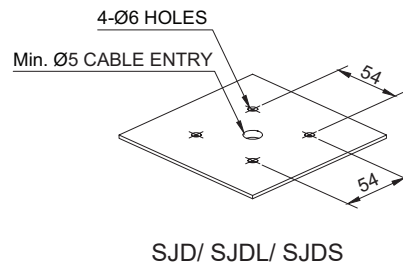
■ Parts Definition/ Installation



- First, remove the flange nuts from bolts and place the product through the mounting surface holes.
- Fasten the flange nuts on the opposite side of the mounting surface until the product is tightened securely.

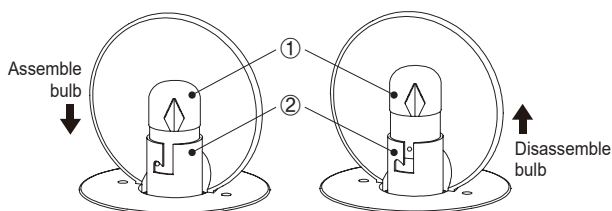
■ Mounting Hole Specifications

- Machine holes on the mounting surface referring to the diagram below.



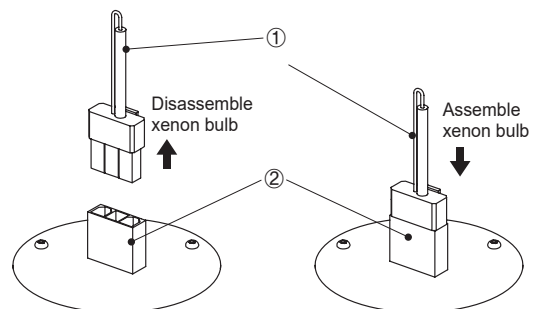
Bulb Replacement Instructions/ Xenon Bulb Replacement Instructions

■ Bulb Replacement Instructions(SJD only)



- Please wait at least 1 minute after turning off the power before replacing the bulb.
- In order to disassemble the bulb, please push down the bulb(①) lightly and screw it counterclockwise.
- In order to put the bulb in to the unit, please place the bulb(①) in the socket(②) and screw it clockwise while lightly pushing down the bulb.

■ Xenon Bulb Replacement Instructions(SJDS only)



- Please wait at least 30 minutes after turning off the power before replacing the xenon bulb.
- Please pull out the entire xenon bulb structure ① to disassemble.
- For xenon bulb assembly, please ensure the connector portion of the xenon bulb structure matches the pin location ②.

Installation Environment and Protection Rating

- This product is designed for use with protection rating of IP23.
- If the product is installed in locations that subject it to excessive dust or water other than the designated IP protection rating indicated(IP23), it may cause malfunction or damage to the product.
- In case of outdoor applications, install the product in the upright position. Do not install the product horizontal or upside-down positions where water can potentially penetrate into the product and impact it's operation.
- For further information, please visit our website (www.qlight.com).

Technical Certification

- Qlight products are designed to meet strict quality and technical standards. Thus, the Qlight brand is widely recognized for its high quality and technical innovations from leading institutions around the world.



ISO International Organization for Standardization

Qlight quality assurance systems have been certified by ISO by applying the ISO 9001:2008, KS Q ISO 9001:2009 regulation.



IECEX International Explosion Proof Certification (IECEX)

Certified that Qlight's products are being manufactured and manage according to international standards.



ATEX The European Regulatory Framework or Manufacture, Installation and Use of Equipment in Explosive Atmospheres

Qlight's explosion proof products comply with ATEX Directives 94/9/EC.



NEPSI National Supervision and Inspection Center for Explosion Protection and Safety of Instrumentation

Qlight's design and manufacturing system meets the People's Republic of China National explosion proof Standard. (Chinese Standard-GB3836/GB12476)



KCs Explosion Proof Device Safety Certification System

The safety performance of machines and equipment subject to safety certification and Technical capability and production system have been certified safety certification standards.



TIIS Japan Explosion-proof Certification

TIIS is a Japanese explosion proof test and certification system accordance with the Ministry of Health, Labour and Welfare Notice and the explosion proof guidelines for factory electrical equipment. Qlight's explosion proof products have been tested and certified by TIIS.



CCS China Classification Society

Qlight's design and quality assurance system has been certified by the China Classification Society.



RMRS Russian Maritime Register of Shipping

Qlight's design and quality assurance system has been certified from Russian Maritime Register of Shipping.



LR Lloyd's Register

Qlight's design and quality assurance system has been certified from Lloyd's Register.



KR Korean Register of Shipping

Qlight's design and quality assurance system has been certified by the Korean Register of Shipping.



KC Korea Safety Certification

Qlight's products are certified by KC for preventing accident caused by fire.



E-mark Commission Directive Regarding Vehicle Industry

Qlight has obtained EU mark for approved vehicles and vehicle components sold into the EU (EEA : European Economic Area)



ICAO International Civil Aviation Organization

Qlight guarantees our products satisfy the criteria regulated by the International Civil Aviation Organization (ICAO, FAA).



KCC Conformity Assessment of Broadcasting Communication Equipment

Qlight has been certified to protect the electromagnetic environment that causes unwanted electromagnetic waves from the device, communication failure due to other devices or external radio waves, and malfunction of the device.



UL Underwriters Laboratories

Qlight's design and quality assurance system has been certified from UL to ensure the stability of consumption goods and to protect consumers.



CCCF China Certification Center for Security & Protection

Qlight has passed the rigorous examination process of "Passing Fire Protection Products Centering" in order to sell fire-fighting products such as fire alarm equipment to Chinese market.



CCC China Compulsory Certificate

Qlight's has obtained CCC which guarantees safety, protection against fraud, environment, etc.



CE European Commission

Qlight has been certified by the European Commission.



RoHS2 Restriction of Hazardous Substances Directive

Qlight complies with the Restriction of Hazardous Substances Directive by limiting its use of hazardous materials.



For your safety

Specification and dimensions listed in this catalogue subject to change without notice for product quality improvement.
The newest product information is available on our website.(www.qlight.com)
Please read the instruction manual attached to the product carefully before installation and use.

Qlight Co., Ltd. www.qlight.com | trade@qlight.com

Head Office | Suite #1510, STX-V Tower, 128 Gasan digital 1-ro, Geumcheon-gu, Seoul, Korea

Tel. +82-2-2679-6152(Toll free. +82-80-328-2222) Fax. +82-2-2679-6154

Factory | 185-25, Mukbang-ro, Sangdong-myeon, Gimhae-si, Gyeongsangnamdo, Korea Tel. +82-55-328-1111(Toll free. +82-80-328-1111)

Qlight OverSEAs Sales Dept | 704 Nakdong-daero, Sasang-gu, Busan, Korea(Eomgung-Dong) Tel : +82-51-620-4100

Qlight Public Relations & Marketing Team Office | 704 Nakdong-daero, Sasang-gu, Busan, Korea(Eomgung-Dong) Tel. +82-51-245-0017

Qlight USA, Inc. www.qlight.com www.qlightusa.com | sales@qlightusa.com

3003 North First Street, Suite #341, San Jose, CA 95134 USA Tel. +1-408-519-5740 Fax. +1-408-519-5739

SHANGHAI Qlight Electronic Co., Ltd. www.qlight.com www.qlightcn.com | qlightcn@qlight.com

China Factory/ Shanghai Sales Office | #19, Nanda Road, Baoshan Area, Shanghai, China Tel. +86-21-6651-7100 Fax. +86-21-6315-3929

China Factory Site 2 (Qidong) | #33, Haiyan Road, Qidong High-tech Industrial Development Zone, Qidong, Jiangsu Province, China

Tel +86-513-8384-9999 Fax +86-513-8384-9910

Qlightec

Innovation in Alarm & Signal

Product Operation Inquiry / Customer Support +82-51-620-4100

You can expect prompt service if you have exact information such as model name, symptom, telephone number and address.

※ ALL PRODUCT, PRODUCT SPECIFICATIONS AND DATA ARE SUBJECT TO CHANGE WITHOUT NOTICE TO IMPROVE RELIABILITY, FUNCTION OR DESIGN OR OTHERWISE.

Head office : Suite #1510, STX-V Tower, 128 Gasan digital 1-ro, Geumcheon-gu, Seoul, Korea (Postal Code : 08507)

Factory : 185-25, Mukbang-Ro, Sangdong-Myeon, Gimhae-Si, Gyeongsangnam-Do, Korea (Postal Code : 50805)

www.qlight.com

EN - SJD - 2106A