

SKTL series

Cubic LED Warning Lights for Vehicles



SKTLM

Normal cigarette lighter plug



SKTLBM

Operation controlled by ON/OFF switch attached to the cigarette plug



The special rubber magnet adheres securely to the vehicle without damaging the surface of the vehicle!

SKTLM Cube-Shaped LED Warning Light for Vehicles with Magnet

- Flashing rate : 60-80 flashes/min
- 4 strong magnets enable secure attachment to curved vehicle surfaces

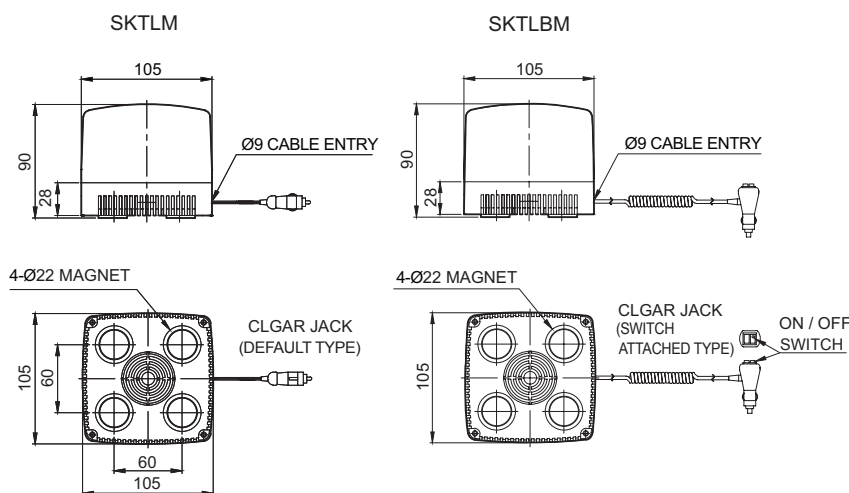
Model number	Voltage	Current	Certificates	Weight	Color
SKTLM	DC12V	0.235A	CE DC24V only	0.45kg	●R/B-Red/Blue
	DC24V	0.115A		0.45kg	

SKTLBM Cube-Shaped LED Warning Light with Built-in Siren Buzzer with magnet, Direct Mount

- Sound volume : Max 105dB at 1m
- Easy control of warning sound with built-in ON/OFF switch

Model number	Voltage	Current	Certificates	Weight	Volume	Color
SKTLBM	DC12V	0.480A	CE DC24V only	0.55kg	Max 105dB	●R/B-Red/Blue
	DC24V	0.290A		0.55kg		

Technical Diagram (Units : mm)



Wiring Instructions

- Cigarette lighter plug, IEC42(0.75sq)×2P 2m

Customization

- Additional color combinations available upon customer's request

Ordering Specification

SKTLM	-	24	-	R/B
[Model number]		[Voltage]		[Color]
• SKTLM • SKTLBM		• 12-DC12V • 24-DC24V		• R/B-Red/Blue