

# QLV series

## Horn for Warning Light Bars



### Recommended Horn Designed for QLV Warning Light Bars



SM-100ND

### SM-100ND Horn for QLV Warning Light Bars

- 100W high volume horn with clear warning sounds
- Mounting bracket for applications in various environments



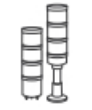
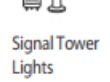
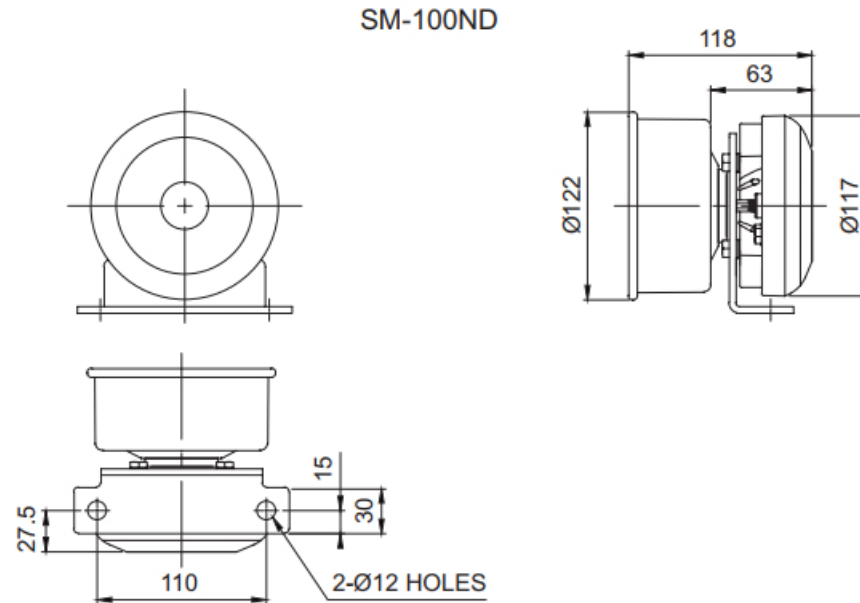
#### Specifications

Model number	Voltage	Volume	Certificate	Weight
SM-100ND	DC12V	Max 135dB	-	1.15kg

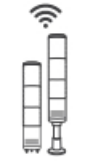


#### Technical Diagram

(Units : mm)



USB/ETN  
Signal Tower  
Lights



Wireless  
Network  
System



Electric Horn/  
Speakers



Industrial  
LED Lights