



Cordless Plunge Cut Saw SP001G 165 mm (6-1/2")



Accessories ● Standard equipment

T.C.T Saw blade



- Make big reducing stress of cutting
- Tip's shape of New type

No. of Teeth	Plate (mm)	Kerf (mm)	Rake (degree)	Wood	MDF	Laminate	Aluminum	CORIAN®	Part No.
56	1.0	1.45	23°	✓	✓	✓			EFFICUT B-57364 ●
28	1.4	2.0	15°	✓					B-56649
28	1.6	2.2	15°	✓					B-07434
48	1.25	1.85	8°	✓					B-56166
48	1.6	2.2	8°	✓					B-07353
60	1.4	2.0	5°		✓	✓			B-56661
60	1.4	2.0	5°		✓	✓			B-56677
56	1.4	2.0	-3°				✓		B-56655
56	1.7	2.4	-3°				✓		B-07440
48	1.4	2.0	5°					✓	B-56683
48	1.7	2.4	5°					✓	B-10344

Charging Time

	DC40RA Fast Charging	DC40RC
BL4020 2.0Ah	22 min	30 min
*BL4025 2.5Ah	28 min	38 min
*BL4040 4.0Ah	45 min	67 min
*BL4050F 5.0Ah	50 min	85 min

* Recommended battery

Guide rail & Guide rail protective holder

Length	Guide rail Part No.	Guide rail protective holder Part No.
1,000 mm	199140-0	E-05670
1,400 mm	194368-5	E-05664
1,500 mm	199141-8	E-10920
1,900 mm	194925-9	E-10936
3,000 mm	194367-7	E-10936

Guide rail protective holder

Guide rail joint connector 2pcs set

Part No. 198884-9/198885-7(EU)

Bevel guide set

Adjustable angle of Guide rail

Part No. 196664-7

Guide rule

(Sub base)

Part No. 165447-6

Clamp set

(use with Guide rail)

Standard: Part No. 194385-5

Quick: Part No. 199826-6

Dust bag

Part No. 126599-8

Cordless Plunge Cut Saw

SP001G 165 mm (6-1/2")

Variable Speed	Blade Diameter	165 mm (6-1/2")
Brake	Max Cutting Capacity	90°: 56 mm (2-3/16") 45°: 40 mm (1-9/16") 48°: 38mm (1-1/2")
Constant Speed	No Load Speed (RPM)	2,500 - 4,900
Soft Start	Vibration Level	2.5 m/s ² or less
Dust Collection	Sound Pressure Level	89 dB(A)
Carrying Case	Sound Power Level	100 dB(A)
	Dimensions (L x W x H)	w/o Battery: 347x221x271mm (13-5/8"x8-3/4"x10-5/8") w/ BL4040: 375xx221x271mm (14-3/4"x8-3/4"x10-5/8")
	Net weight	4.4 - 5.0 kg (9.7 - 11.0 lbs.)

SP001GZ: Battery & charger are sold separately

Standard Equipment: TCT Blade (B-57364), hex wrench (783203-8).

The weight may differ depending on the attachment(s), including the battery cartridge. The lightest and heaviest combination, according to EPTA-Procedure 01/2014, are shown in the table.

Items of standard equipment and specifications may vary by country or area.

CÔNG TY TNHH MAKITA VIỆT NAM

Kho 5/5, Block 16, 19L1-2 Đường số 3, KCN VSPP, P. Hòa Phú, TP. Thủ Đức, Bình Dương
ĐT: 0274 362 8338 - Fax: 0274 362 8339 - Website: www.makita.com.vn

CHI NHÁNH CTY TNHH MAKITA VN TẠI MIỀN BẮC

Kho 5, Số 1, Đường Số 6, KCN - BT - DV VSP Bắc Ninh, P. Phú Châu, TP. Từ Sơn, Bắc Ninh
ĐT: 0222 376 5942 Fax: 0222 376 5941

TRUNG TÂM DỊCH VỤ KHÁCH HÀNG

CHI NHÁNH HÀ NỘI
85 Trường Chinh, P. Phương Liệt, Q. Thanh Xuân, TP. Hà Nội,
ĐT: 0243 202 2585

TRUNG TÂM DỊCH VỤ KHÁCH HÀNG

CHI NHÁNH ĐÀ NẴNG
102 Triều Nữ Vương, P. Hải Châu 2, Q. Hải Châu, TP. Đà Nẵng,
ĐT: 0236 352 5079 / 0236 352 5179 Fax: 0236 352 5478

TRUNG TÂM DỊCH VỤ KHÁCH HÀNG

CHI NHÁNH CẦN THƠ
366 Võ Văn Kiệt, Khu Vực 5, P. An Thới, Q. Bình Thủy,
TP. Cần Thơ
ĐT: 0292 389 4358 Fax: 0292 389 4358

TRUNG TÂM DỊCH VỤ KHÁCH HÀNG

CHI NHÁNH BUƠN MA THUỘT
88 Lê Đức Thọ, P. Thống Nhất, TP. Buôn Ma Thuột, T. Đắk Lắk,
ĐT: 0262 355 4556 Fax: 0262 355 4557

TRUNG TÂM DỊCH VỤ KHÁCH HÀNG

CHI NHÁNH HẢI PHÒNG
Số 01 Lê Duẩn, Di An Hoàng Hai Riverside, P. Thượng Lý,
Q. Hồng Bàng, TP. Hải Phòng,
ĐT: 0225 863 1529

TRUNG TÂM DỊCH VỤ KHÁCH HÀNG

CHI NHÁNH NHA TRANG
Lô 56-38 đường B6, Khu đô thị Vinh Diễm Trưng, Xã Vinh Ngọc,
TP. Nha Trang, T. Khánh Hòa
ĐT: 0258 220 0039

TRUNG TÂM DỊCH VỤ KHÁCH HÀNG

CHI NHÁNH HỒ CHÍ MINH
Số 12 Trịnh Văn Cấn, P. Cầu Ông Lãnh, Q. 1, TP. Hồ Chí Minh,
ĐT: 0283 821 5191



High power for fast cutting and ripping

40Vmax
mechanism
movie



This movie was filmed in Japan. Models and specs may vary by country.

Constant speed control

provides consistent surface finish.



Max Cutting Capacity **56** mm



Can be attached to the guide rail (option) without an adapter

- 40Vmax Li-ion battery
- Brushless DC motor
- **EFFICUT** saw blade

BL
MOTOR

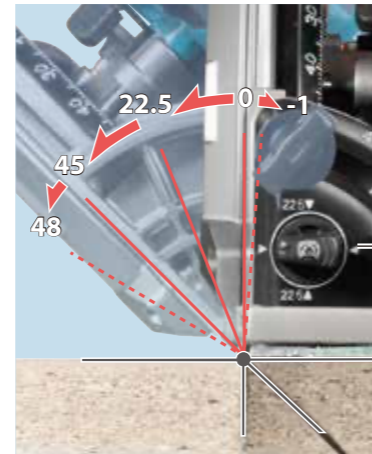
Cutting Performance

40 x 600mm Kitchen board (Laminated wood) cutting,
Bevel angle: 0°

150 (with BL4040*)
cuts

The test results depend to a great extent on the hardness of the test material, etc.
*on a single full charge

Bevel cut



Bevel range
:: -1 to 48 degrees

Positive stopper

Precision bevel cut

The position of cutting line is always the same regardless of bevel angle in cutting with Guide Rail attached.

Easy to plunge cutting



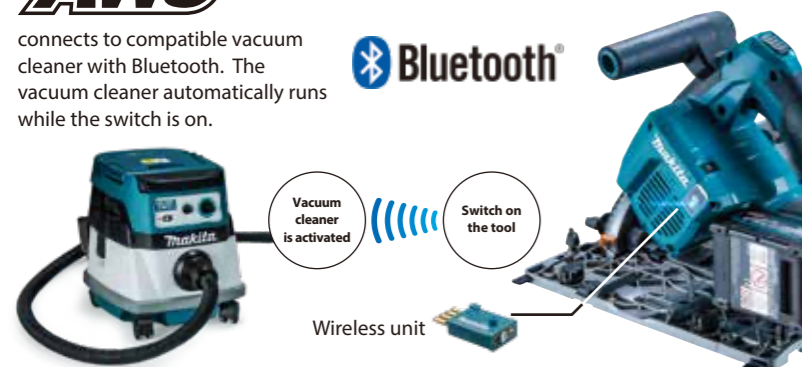
Depth stopper for splinter-free cutting

Enables to easily cut a preliminary groove at a depth of 2mm (1/16") for splinter-free cuts.



AWS Auto-start Wireless System

connects to compatible vacuum cleaner with Bluetooth. The vacuum cleaner automatically runs while the switch is on.



Rotatable dust nozzle



Added two leaf springs enable to twist and lock the nozzle with a click in order to reduce unexpected rotation.

XPT eXtreme Protection Technology

Engineered for improved dust and water resistance for operation in harsh conditions



Variable speed control by dial

An optimum cutting speed can be selected to suit application.



Electric brake

enables you to start next operation quickly.



Soft start

minimizes start-up shock, and makes the tool start smoothly.