

SPNA

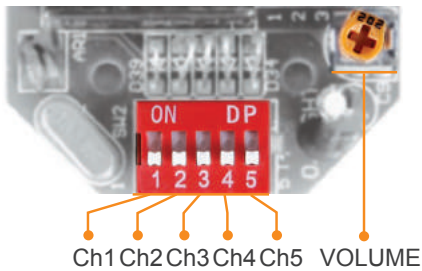
Explosion Proof Electric Horn



SPNA

Sound Selection Instructions and Wiring

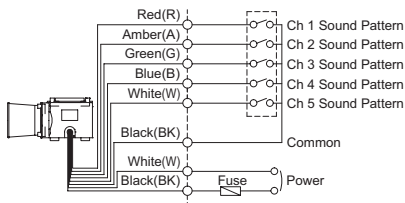
Standard type : Select using the switch inside of the unit.
When you turn on the dip switch for each channel, designated sound is being played.



Customization : External contact(LC)
In case of select sound between external contact and transistors, sound line is threading as customization when product released(LC).

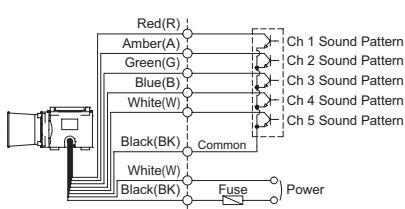
SPNA-DC/AC

EXTERNAL CONTACT



SPNA-DC/AC

EXTERNAL TRANSISTOR-NPN



SPNA Max 118dB Explosion Proof Electric Horn

- Explosion proof electric horn
- Various sound tones can be selected ; warning sound, alarm, melody
- Aluminum housing provides excellent durability
- Equipped terminal box for power line wiring in housing
- Sound volume : Max 118dB at 1m(Volume adjustable)
- Standard housing color : MUNSSELL No. 7.5BG 7/2
- Cable entry : 1/2" NPT
- Materials : Housing-Al, Protection cage-SUS316L
- Certificates : IECEx, ATEX, NEPSI, KIMM, KOSHA, ABS, CCS, KR
- Protection rating :
 - IECEx - Ex d IIC T6 Gb, IP66
 - ATEX - Ex II2G Ex d IIC T6, IP66
 - NEPSI, KIMM, KOSHA - Ex d IIC T6, IP66
- Ambient operating temperature : $-40^{\circ}\text{C} \leq T_{\text{amb}} \leq +60^{\circ}\text{C}$

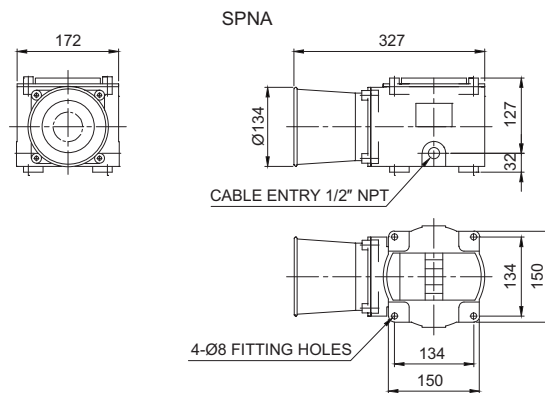
Specifications

Model number	Voltage	Current	Sound Pattern and Volume	Certificate	Weight
SPNA	DC12V	2.211A	<ul style="list-style-type: none"> WS-5 Warning sounds : 118dB WP-5 Special warning sounds : 118dB WM-5 Melodies : 118dB 	IECEx, ATEX, NEPSI, KIMM	6.09kg
	DC24V	1.022A	<ul style="list-style-type: none"> WA-5 Alarms : 115dB WV-5 Customizable voices : 113dB 	ABS, CCS, KR	6.09kg
	AC110V	0.226A			6.44kg
	AC220V	0.113A			6.44kg

* Please refer to page 22 for detailed information about selectable sound patterns.

Technical Diagram

(Units : mm)



Customization

- Built-in explosion proof cable gland type
- 2 way cable entries
- Customized cable entry (3/4" NPT, M20×1.5, M25×1.5) available
- ATEX compliant products
- IECEx compliant products

Ordering Specification

SPNA	WM	220	LC
[Model number]	[Sound]	[Voltage]	[Sound selection]
<ul style="list-style-type: none"> SPNA 	<ul style="list-style-type: none"> WS-Warning sounds WP-Special warning sounds WM-Melodies WA-Alarms WV-Customizable sounds 	<ul style="list-style-type: none"> 12-DC12V 24-DC24V 110-AC110V 220-AC220V 	<ul style="list-style-type: none"> Standard Built-in switch LC External contact

