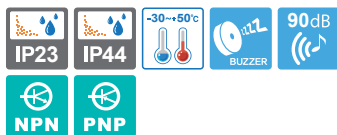


# STA45SLM

## Ø45mm Slim LED Tower Light



STA45SLM series



### Customization

- Wall mount bracket options : Used for mounting on the vertical surface



Wall Mount Bracket  
STAWB45



### Common Specifications(STA45SLM/ STA45SLMP)

- Ø45mm direct mount/pole mount tower lights
- Aluminum housing displays a unique metallic luster that defines a high class product
- Excellent visibility by using a high brightness LED with a special diffusion lens
- Lens maintains a semi-transparent color when not emitting the specific color of the signal under operation
- Steady mode only(can operate flashing mode with external control) with fixed user selected color arrangement
- Easy mounting with the bolts/screws located at the bottom of the product
- Built-in buzzer available (Volume : Max 90dB at 1m)
- Materials : Lens-Acrylic, Filter lens -AS, Housing-AI
- Ambient operating temperature : -30°C to +50°C
- Protection rating : Standard type-IP44, Built-in buzzer type-IP23
- Certificates : CE Compliant, UL Listed



### STA45SLM Ø45mm Direct Mount, LED Steady

Model number	Layer	Voltage	Current	Certificates	Weight	Color
STA45SLM Steady STA45SLM-BZ Steady /w built-in buzzer	1	AC/DC12V AC/DC24V	0.100A 0.050A	 DC24V only   DC24V only	0.50kg	• R-Red
	2	AC/DC12V AC/DC24V	0.200A 0.100A		0.54kg	• R-Red • G-Green
	3	AC/DC12V AC/DC24V	0.300A 0.150A		0.58kg	• R-Red • A-Amber • G-Green
	4	AC/DC12V AC/DC24V	0.400A 0.200A		0.63kg	• R-Red • A-Amber • G-Green • B-Blue
	5	AC/DC12V AC/DC24V	0.500A 0.250A		0.68kg	• R-Red • A-Amber • G-Green • B-Blue • W-White

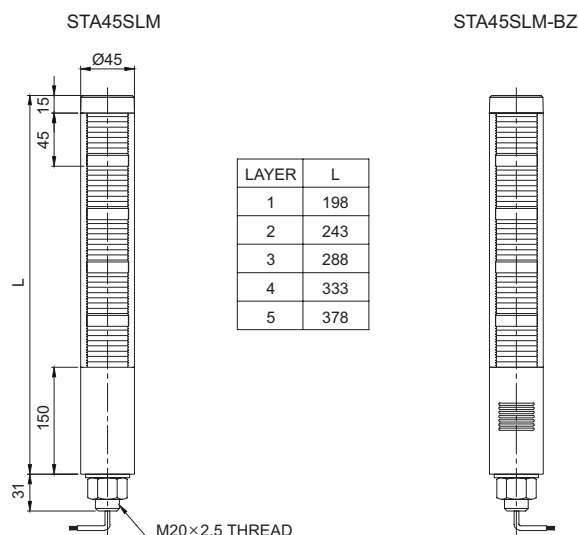
### Signal/ Audible Line Current(per each layer)

Voltage settings	DC12V	DC24V
Signal line current	0.160A	0.080A
Audible line current	0.016A	0.031A



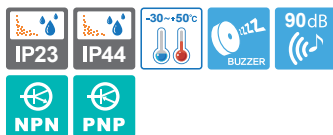
### Technical Diagram

(Units : mm)



# STA45SLMP

Ø45mm Slim LED Tower Lights



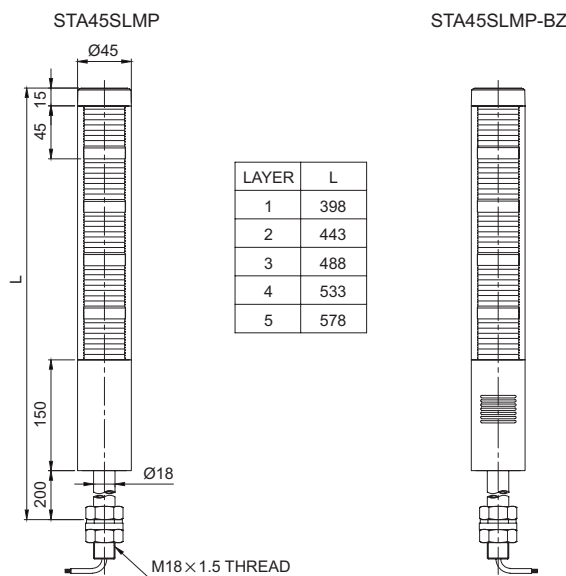
STA45SLMP series

## STA45SLMP Ø45mm Pole Mount, LED Steady

Model number	Layer	Voltage	Current	Certificates	Weight	Color
STA45SLMP Steady STA45SLMP-BZ Steady/ w built-in buzzer	1	AC/DC12V AC/DC24V	0.100A 0.050A	 DC24V only  DC24V only	0.56kg	• R-Red
	2	AC/DC12V AC/DC24V	0.200A 0.100A		0.60kg	• R-Red • G-Green
	3	AC/DC12V AC/DC24V	0.300A 0.150A		0.64kg	• R-Red • A-Amber • G-Green
	4	AC/DC12V AC/DC24V	0.400A 0.200A		0.69kg	• R-Red • A-Amber • G-Green • B-Blue
	5	AC/DC12V AC/DC24V	0.500A 0.250A		0.74kg	• R-Red • A-Amber • G-Green • B-Blue • W-White

### Technical Diagram

(Units : mm)



### Mounting Bracket

Standard	LB18	LW18	QZ18
Steel	Steel	PC	PC
SZ18	QL18	SL18	QLA18
Al	PC	Al	PC

※ Please refer to page 188-193 for detailed dimensions.

### Customization

- Customized pole length available

### Wiring Instructions

- External power line and External signal line : UL1007 AWG22(0.3sq) 400mm
- ※ Please refer to page 14 for detailed wiring instructions.

### Ordering Specification

<b>STA45SLMP</b>	-	<b>3</b>	-	<b>24</b>	-	<b>RAG</b>	-	<b>QZ18</b>
[Model number]		[Layer]		[Voltage]		[Color]		[Mounting bracket]
• STA45SLM • STA45SLM-BZ • STA45SLMP • STA45SLMP-BZ		• 1-1Layer • 2-2Layers • 3-3Layers • 4-4Layers • 5-5Layers		• 12-DC12V • 24-DC12V		• R-Red • A-Amber • G-Green • B-Blue • W-White		• None -Standard • Bracket -LB18 -LW18 -QZ18 -SZ18 -QL18 -SL18 -QLA18

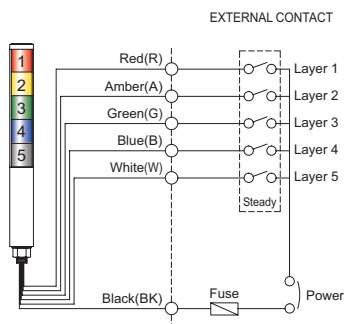


### Wiring Instructions

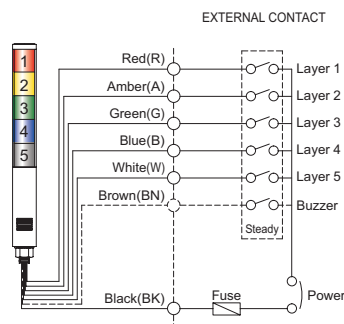
- STA25SLM, STA35SL, STA35SLM and STA45SLM can be wired by using both external contact and transistor.
- In case of wiring by transistor, please make sure if it is NPN type or PNP type. Please carefully follow wiring instructions below.

#### External Contact

STA25SLM-DC/AC  
STA35SL/ STA35SLM-DC



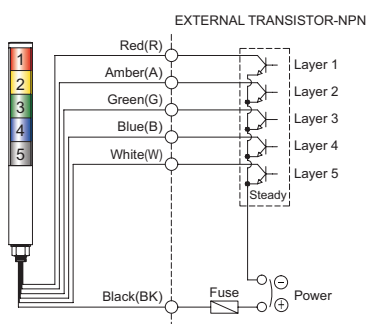
STA45SLM/ STA45SLMP-DC



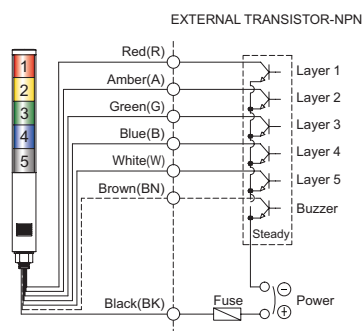
#### Transistor

##### NPN-Transistor

STA25SLM-DC  
STA35SL/ STA35SLM-DC

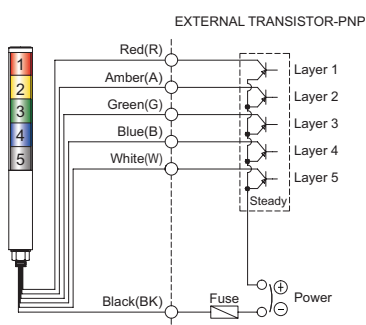


STA45SLM/ STA45SLMP-DC

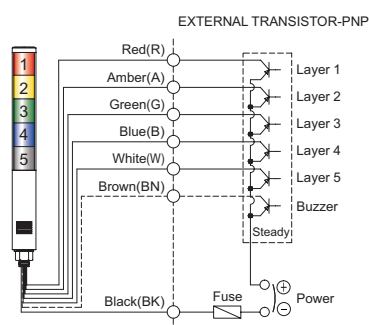


##### PNP-Transistor

STA25SLM-DC  
STA35SL/ STA35SLM-DC



STA45SLM/ STA45SLMP-DC



### Wiring Instructions

- External power line and External signal line - UL1007 AWG22(0.3sq) 400mm

### Transistor Rating

Type	NPN or PNP
Withstanding voltage	$V_c \geq 35V$
Current	$I_c \geq 300mA$
Leakage current	$0.1mA \geq I_L$