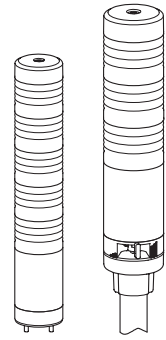
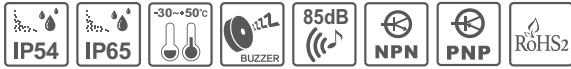


Steady/Flashing LED Tower Lights

STG40/ STG50



Thank you for purchasing Qlight's products. Please read this user manual carefully prior to installation and operation to ensure safe and correct use.

⚠ Precautions for Safety

Failure to follow the instructions below may cause a loss of life or serious physical injury.

1. During wiring or maintenance, please completely turn off the power of the product. (Failure to follow this may lead to an electric shock.)
2. Do not install the product in locations that subjects it to excessive dust or water other than the conditions designated by the IP protection ratings indicated for each product. (Failure to follow these instructions may cause a fire to the product, electric shock, physical injury, malfunction or damage to the product.)
3. Do not alter or repair this product. If maintenance or repair service is required, please contact your local Qlight contact point. (Failure to follow these instructions may lead to fire, electric shock, or product damage.)
4. Please apply the correct voltage to the product. (Failure to follow these instructions may lead to fire, electric shock, or product damage.)
5. When the product is applied to a condition that may impact lives or property, please make sure to have a double safety device. (Failure to follow this may cause damage to property, fire, electric shock and loss of life.)

⚠ Precautions for Correct Use

Failure to follow the proper instructions may cause damage to property, the product, and or malfunction of the product that would void the warranty.

1. Please remove any objects that can interrupt ventilation around the product.
2. Please turn off the power of the product immediately if it fails to operate properly.
3. Carefully wire the product according to each product's specification.
4. Please be careful in preventing chemicals such as thinner, benzene, etc. in contact with the surface of the product.
5. Do not apply excessive force/impact to the product.
6. Failure to follow any of the instructions above may cause malfunction or damage to the product, fire, and electric shock.

Ordering Specifications

STG40/ 50(M)L	-	3	-	110/220	-	RAG	-	LW18
[Model number]		[Layer count]		[Voltage]		[Color]		[Mounting option]
<ul style="list-style-type: none"> • STG40/ 50ML • STG40/ 50ML-BZ • STG40/ 50MLF • STG40/ 50MLF-BZ • STG40/ 50L • STG40/ 50L-BZ • STG40/ 50LF • STG40/ 50LF-BZ 		<ul style="list-style-type: none"> • 1 Layer • 2 Layers • 3 Layers • 4 Layers • 5 Layers 		<ul style="list-style-type: none"> • 12-DC12V • 24-DC24V • 110/220 - AC110V~220V 		<ul style="list-style-type: none"> R-Red A-Amber G-Green B-Blue W-White 		<ul style="list-style-type: none"> • (Blank) - Standard type • Mounting type - LB18 - LW18 - QZ18 - SZ18 - QL18 - SL18 - QLA18





Please scan the QR code for more detailed product information.



www.qlight.com

Product Specifications



•STG40L

Model number	Layer count	Voltage	Current	Certificates	Weight	Color
STG40L Steady STG40L-BZ Steady /w built-in buzzer STG40LF Steady/ Flashing STG40LF-BZ Steady/ Flashing /w built-in buzzer	1	AC/DC12V AC/DC24V AC110V~220V	0.075A 0.045A Max. 0.040A	 	0.29kg 0.29kg 0.31kg 0.31kg	R-Red
	2	AC/DC12V AC/DC24V AC110V~220V	0.150A 0.095A Max. 0.050A		0.33kg 0.33kg 0.36kg 0.36kg	R-Red G-Green
	3	AC/DC12V AC/DC24V AC110V~220V	0.225A 0.145A Max. 0.060A		0.38kg 0.38kg 0.40kg 0.40kg	R-Red A-Amber G-Green
	4	AC/DC12V AC/DC24V AC110V~220V	0.300A 0.190A Max. 0.070A		0.45kg 0.45kg 0.47kg 0.47kg	R-Red A-Amber G-Green B-Blue
	5	AC/DC12V AC/DC24V AC110V~220V	0.375A 0.235A Max. 0.080A		0.51kg 0.51kg 0.53kg 0.53kg	R-Red A-Amber G-Green B-Blue W-White



•STG40ML

Model number	Layer count	Voltage	Current	Certificates	Weight	Color
STG40ML Steady STG40ML-BZ Steady /w built-in buzzer STG40MLF Steady/ Flashing STG40MLF-BZ Steady/ Flashing /w built-in buzzer	1	AC/DC12V AC/DC24V AC110V~220V	0.075A 0.045A Max. 0.040A	 	0.12kg 0.12kg 0.14kg 0.14kg	R-Red
	2	AC/DC12V AC/DC24V AC110V~220V	0.150A 0.095A Max. 0.050A		0.19kg 0.19kg 0.21kg 0.21kg	R-Red G-Green
	3	AC/DC12V AC/DC24V AC110V~220V	0.225A 0.145A Max. 0.060A		0.25kg 0.25kg 0.27kg 0.27kg	R-Red A-Amber G-Green
	4	AC/DC12V AC/DC24V AC110V~220V	0.300A 0.190A Max. 0.070A		0.31kg 0.31kg 0.33kg 0.33kg	R-Red A-Amber G-Green B-Blue
	5	AC/DC12V AC/DC24V AC110V~220V	0.375A 0.235A Max. 0.080A		0.36kg 0.36kg 0.38kg 0.38kg	R-Red A-Amber G-Green B-Blue W-White

•STG50L

Model number	Layer count	Voltage	Current	Certificates	Weight	Color
STG50L Steady STG50L-BZ Steady /w built-in buzzer STG50LF Steady/ Flashing STG50LF-BZ Steady/Flashing /w built-in buzzer	1	AC/DC12V AC/DC24V AC110V~220V	0.055A 0.050A Max. 0.040A	 	0.36kg 0.36kg 0.38kg 0.38kg	R-Red
	2	AC/DC12V AC/DC24V AC110V~220V	0.110A 0.100A Max. 0.050A		0.43kg 0.43kg 0.45kg 0.45kg	R-Red G-Green
	3	AC/DC12V AC/DC24V AC110V~220V	0.165A 0.150A Max. 0.060A		0.53kg 0.53kg 0.55kg 0.55kg	R-Red A-Amber G-Green
	4	AC/DC12V AC/DC24V AC110V~220V	0.220A 0.200A Max. 0.070A		0.59kg 0.59kg 0.61kg 0.61kg	R-Red A-Amber G-Green B-Blue
	5	AC/DC12V AC/DC24V AC110V~220V	0.275A 0.250A Max. 0.080A		0.67kg 0.67kg 0.69kg 0.69kg	R-Red A-Amber G-Green B-Blue W-White

•STG50ML

Model number	Layer count	Voltage	Current	Certificates	Weight	Color
STG50ML Steady STG50ML-BZ Steady /w built-in buzzer STG50MLF Steady/ Flashing STG50MLF-BZ Steady/Flashing /w built-in buzzer	1	AC/DC12V AC/DC24V AC110V~220V	0.055A 0.050A Max. 0.040A	 	0.20kg 0.20kg 0.22kg 0.22kg	R-Red
	2	AC/DC12V AC/DC24V AC110V~220V	0.110A 0.100A Max. 0.050A		0.28kg 0.28kg 0.30kg 0.30kg	R-Red G-Green
	3	AC/DC12V AC/DC24V AC110V~220V	0.165A 0.150A Max. 0.060A		0.36kg 0.36kg 0.38kg 0.38kg	R-Red A-Amber G-Green
	4	AC/DC12V AC/DC24V AC110V~220V	0.220A 0.200A Max. 0.070A		0.45kg 0.45kg 0.47kg 0.47kg	R-Red A-Amber G-Green B-Blue
	5	AC/DC12V AC/DC24V AC110V~220V	0.275A 0.250A Max. 0.080A		0.53kg 0.53kg 0.55kg 0.55kg	R-Red A-Amber G-Green B-Blue W-White

※ STG series UL listed : DC24V

•STG40

Signal/ Audible line current(Per each layer)			
Current	AC/DC12V	AC/DC24V	AC110V~220V
Signal line current	0.075A	0.045A	Max.0.040A
Audible line current	0.045A	0.065A	Max.0.040A

•STG50

Signal/ Audible line current(Per each layer)			
Current	AC/DC12V	AC/DC24V	AC110V~220V
Signal line current	0.055A	0.050A	Max.0.040A
Audible line current	0.045A	0.065A	Max.0.045A

Dimensions

(Units : mm)

•STG40(M)L

STG40ML : DC
STG40MLF : DC
STG40ML-BZ : DC

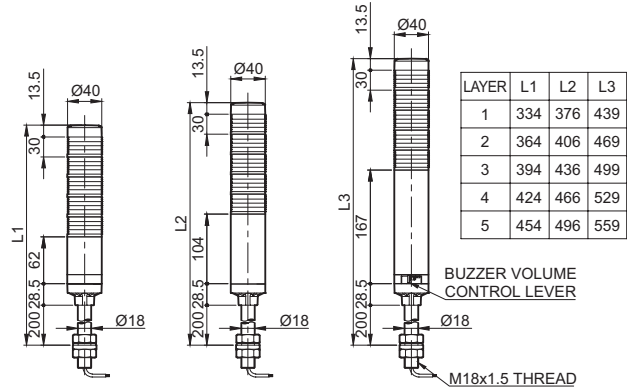
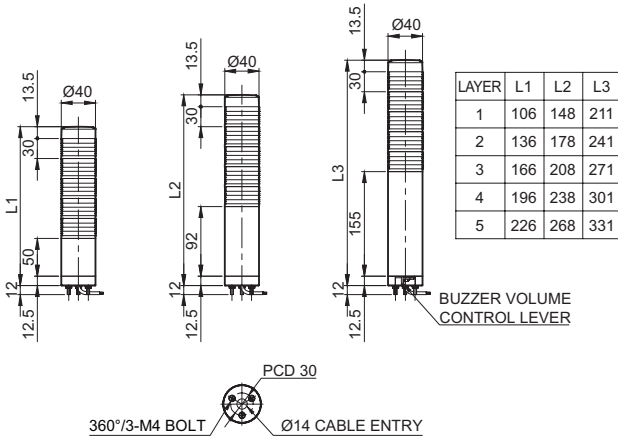
STG40ML : AC
STG40MLF-BZ : DC

STG40MLF : AC
STG40ML-BZ : AC
STG40MLF-BZ : AC

STG40L : DC
STG40LF : DC
STG40L-BZ : DC

STG40L : AC
STG40LF-BZ : DC

STG40LF : AC
STG40L-BZ : AC
STG40LF-BZ : AC



•STG50(M)L

STG50ML : DC
STG50MLF : DC
STG50ML-BZ : DC

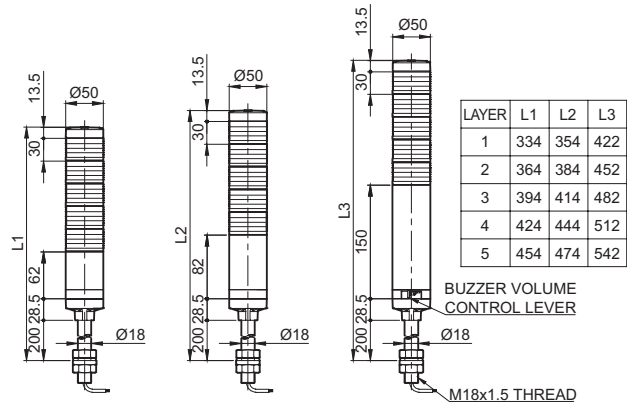
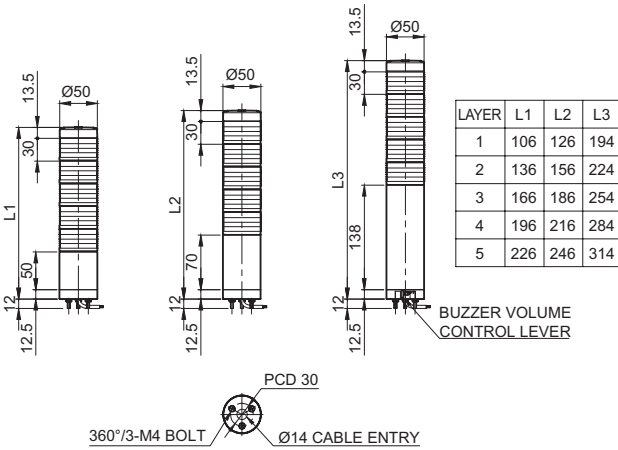
STG50MLF-BZ : DC

STG50ML : AC
STG50MLF : AC
STG50ML-BZ : AC
STG50MLF-BZ : AC

STG50L : DC
STG50LF : DC
STG50L-BZ : DC

STG50LF-BZ : DC

STG50L : AC
STG50LF : AC
STG50L-BZ : AC
STG50LF-BZ : AC



Wiring Instructions

■ Wiring using external contact

- In case of wiring with external contacts, refer to the wiring diagrams below according to your product's type and voltage setting.

	Wiring diagrams		Wiring diagrams
DC steady	<p>External contact</p> <p>STG40ML STG40L STG50ML STG50L</p> <ul style="list-style-type: none"> • STG□□ (M)L - Refer to this diagram for buzzer type product • STG□□ L <ul style="list-style-type: none"> └ Lens diameter 40(40mm) : STG40(M)L └ Lens diameter 50(50mm) : STG50(M)L 	AC steady	<p>External contact</p> <p>STG40ML STG40L STG50ML STG50L</p> <ul style="list-style-type: none"> • STG□□ (M)L - Refer to this diagram for buzzer type product • STG□□ L <ul style="list-style-type: none"> └ Lens diameter 40(40mm) : STG40(M)L └ Lens diameter 50(50mm) : STG50(M)L
DC steady/flashing	<p>External contact</p> <p>STG40MLF STG40LF STG50MLF STG50LF</p> <ul style="list-style-type: none"> • STG□□ (M)LF - Refer to this diagram for buzzer type product • STG□□ LF <ul style="list-style-type: none"> └ Lens diameter 40(40mm) : STG40(M)LF └ Lens diameter 50(50mm) : STG50(M)LF 	AC steady/flashing	<p>External contact</p> <p>STG40MLF STG40LF STG50MLF STG50LF</p> <ul style="list-style-type: none"> • STG□□ (M)LF - Refer to this diagram for buzzer type product • STG□□ LF <ul style="list-style-type: none"> └ Lens diameter 40(40mm) : STG40(M)LF └ Lens diameter 50(50mm) : STG50(M)LF

- DC steady type cable specification : External power/ signal line - UL1007 AWG22(0.3sq) 400mm
- AC steady, AC/DC steady/flashing type cable specification : External power line - UL1015 AWG18(0.75sq) × 2C 400mm, External signal line - UL1007 AWG22(0.3sq) 400mm

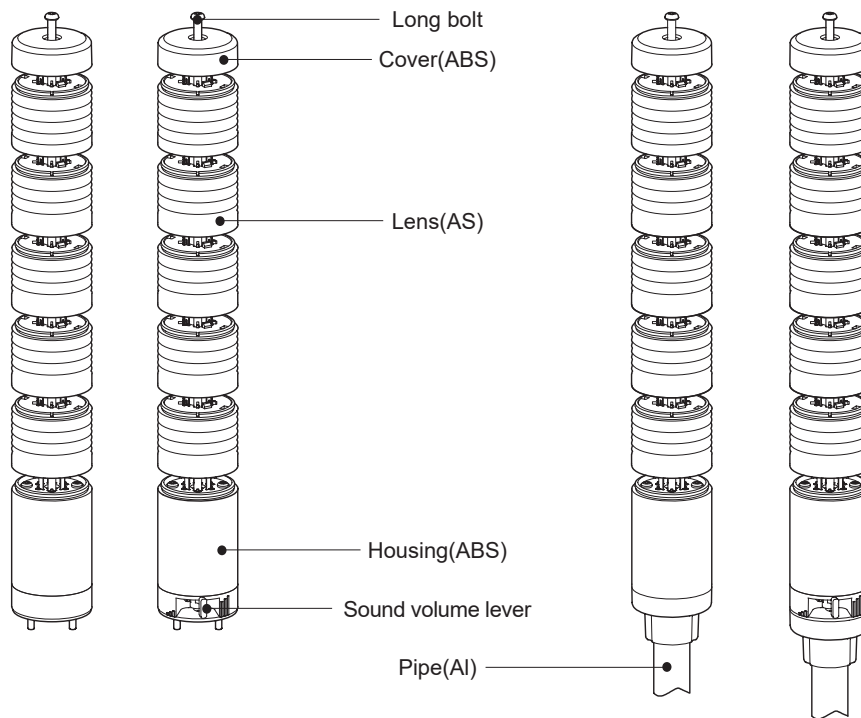
■ Wiring using transistor

- When using a transistor, please choose between the NPN or PNP type transistor which best matches the voltage and product type, then connect them correctly according to the wiring diagrams below.

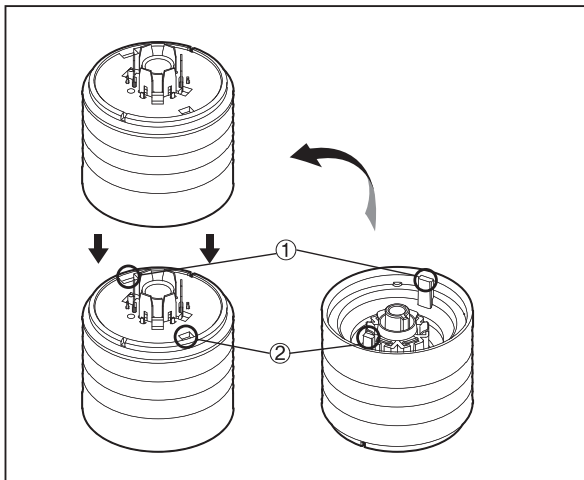
Wiring diagrams	
<p>DC steady</p> <p>STG40ML STG40L STG50ML STG50L</p>	<div style="display: flex; justify-content: space-around;"> <div style="text-align: center;"> <p>NPN - Transistor</p> </div> <div style="text-align: center;"> <p>External Transistor-NPN</p> </div> </div> <div style="display: flex; justify-content: space-around; margin-top: 20px;"> <div style="text-align: center;"> <p>PNP - Transistor</p> </div> <div style="text-align: center;"> <p>External Transistor-PNP</p> </div> </div> <p>• STG□□(M)LF - Refer to this diagram for buzzer type product • STG□□L └─ Lens diameter 40(40mm) : STG40(M)LF 50(50mm) : STG50(M)LF</p>
<p>DC steady/flashing</p> <p>STG40MLF STG40LF STG50MLF STG50LF</p>	<div style="display: flex; justify-content: space-around;"> <div style="text-align: center;"> <p>PNP - Transistor</p> </div> <div style="text-align: center;"> <p>External Transistor-PNP</p> </div> </div> <p>• STG□□(M)LF - Refer to this diagram for buzzer type product • STG□□LF └─ Lens diameter 40(40mm) : STG40(M)LF 50(50mm) : STG50(M)LF</p>
<p>AC steady/flashing</p> <p>STG40MLF STG40LF STG50MLF STG50LF</p>	<div style="display: flex; justify-content: space-around;"> <div style="text-align: center;"> <p>PNP - Transistor</p> </div> <div style="text-align: center;"> <p>External Transistor-PNP</p> </div> </div> <p>• STG□□(M)LF - Refer to this diagram for buzzer type product • STG□□LF └─ Lens diameter 40(40mm) : STG40(M)LF 50(50mm) : STG50(M)LF</p>

- DC steady type cable specification : External power/ signal line - UL1007 AWG22(0.3sq) 400mm
- AC steady, AC/DC steady/flashing type cable specification : External power line - UL1015 AWG18(0.75sq) × 2C 400mm, External signal line - UL1007 AWG22(0.3sq) 400mm

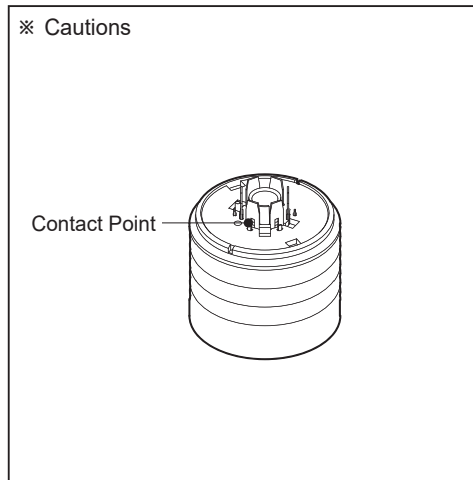
Parts Definition



How to Change Lens Kit



Please ensure that contact points of the two lens kits are aligned together prior to assembly. Slowly combine the color LED lens units together at the contact points shown in the image above (①, ②). Ensure the upper and lower contacts are seamlessly coupled and then firmly press the units together to complete assembly.



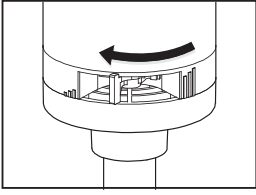
※ Cautions

Lens modules are connected through contact point of each module. In case the contact point is damaged, it may cause a contact failure.

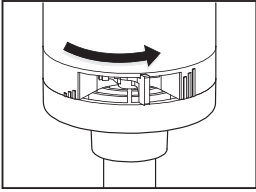
Installation Environment and Protection Rating

- This product is designed for indoor use with protection rating of IP65(Standard type) or IP54(Buzzer type).
- If the product is installed in locations that subject it to excessive dust or water other than the designated IP protection rating indicated(IP65), it may cause malfunction or damage to the product.
- For further information, please visit our website(www.qlight.com).

Buzzer Sound Volume Adjustment Instructions



Buzzer volume is reduced by sliding the volume control lever to the left as shown in the diagram to the left.
(Min. $65\pm 4\text{dB/m}$)

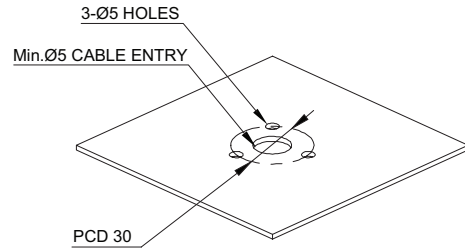


Raise/ increase the buzzer volume by sliding the control lever to the right as shown in the diagram to the left.
(Max. $85\pm 4\text{dB/m}$)

Mounting Hole Specifications

■ STG40ML/ STG50ML -Direct Mounting Type Model

- ① Machine holes on the mounting surface referring to the diagram below.



STG40/ 50ML

- ② Remove the flange nuts from bolts and place the product through the mounting surface holes.
- ③ Fasten the flange nuts on the opposite side of the mounting surface until the product is tightened securely.

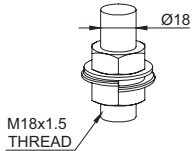
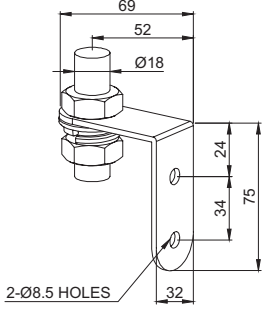
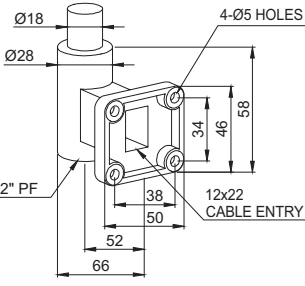
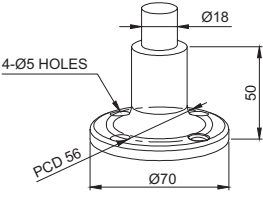
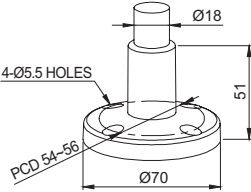
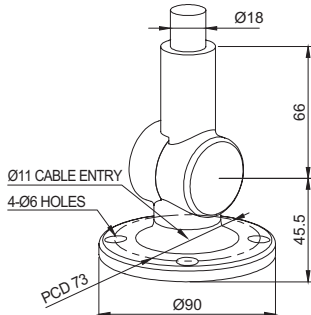
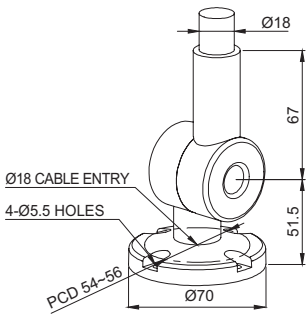
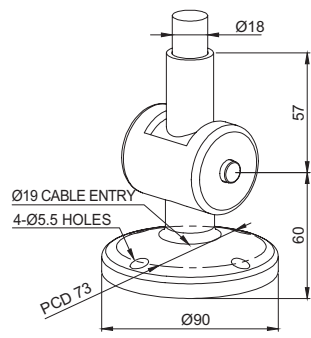
Mounting Accessories (Sold Separately)

- Please refer to the dimensions below for installation of mounting brackets.

■ STG40ML/ STG50ML - Direct Mounting Type Model

















		Dimensions	
STG40 series STG50 series	<p>TWS45</p>	<p>TWA45</p>	

■ STG40L/ STG50L - Pole Mounting Type Model

Dimensions		
<p>STG40 series STG50 series</p>	 <p>M18x1.5 THREAD</p> <p>Ø18</p> <p>18mm SCREW & NUT</p>	
	 <p>69 52 Ø18 24 34 75 2-Ø8.5 HOLES 32</p> <p>LB18</p>	
	 <p>Ø18 Ø28 4-Ø5 HOLES 58 34 46 12x22 CABLE ENTRY 38 50 52 66 1/2" PF</p> <p>LW18</p>	 <p>Ø18 4-Ø5 HOLES PCD 56 Ø70 50</p> <p>SZ18</p>
	 <p>Ø18 4-Ø5.5 HOLES PCD 54-56 Ø70 51</p> <p>QZ18</p>	 <p>Ø18 Ø11 CABLE ENTRY 4-Ø6 HOLES PCD 73 Ø90 45.5 66</p> <p>SL18</p>
	 <p>Ø18 Ø18 CABLE ENTRY 4-Ø5.5 HOLES PCD 54-56 Ø70 51.5 67</p> <p>QL18</p>	 <p>Ø18 Ø19 CABLE ENTRY 4-Ø5.5 HOLES PCD 73 Ø90 60 57</p> <p>QLA18</p>

Technical Certification

- Qlight products are designed to meet strict quality and technical standards. Thus, the Qlight brand is widely recognized for its high quality and technical innovations from leading institutions around the world.

 <p>ISO International Organization for Standardization</p> <p>Qlight quality assurance systems have been certified by ISO by applying the ISO 9001:2008, KS Q ISO 9001:2009 regulation.</p>	 <p>IECEX International Explosion Proof Certification (IECEX)</p> <p>Certified that Qlight's products are being manufactured and manage according to international standards.</p>
 <p>ATEX The European Regulatory Framework or Manufacture, Installation and Use of Equipment in Explosive Atmospheres</p> <p>Qlight's explosion proof products comply with ATEX Directives 94/9/EC.</p>	 <p>NEPSI National Supervision and Inspection Center for Explosion Protection and Safety of Instrumentation</p> <p>Qlight's design and manufacturing system meets the People's Republic of China National explosion proof Standard. (Chinese Standard-GB3836/GB12476)</p>
 <p>KCs Explosion Proof Device Safety Certification System</p> <p>The safety performance of machines and equipment subject to safety certification and Technical capability and production system have been certified safety certification standards.</p>	 <p>TIIS Japan Explosion-proof Certification</p> <p>TIIS is a Japanes explosion proof test and certification system accordance with the Ministry of Health, Labour and Welfare Notice and the explosion proof guidelines for factory electrical equipment. Qlight's explosion proof products have been tested and certified by TIIS.</p>
 <p>CCS China Classification Society</p> <p>Qlight's design and quality assurance system has been certified by the China Classification Society.</p>	 <p>RMRS Russian Maritime Register of Shipping</p> <p>Qlight's design and quality assurance system has been certified from Russian Maritime Register of Shipping.</p>
 <p>LR Lloyd's Register</p> <p>Qlight's design and quality assurance system has been certified from Lloyd's Register.</p>	 <p>KR Korean Register of Shipping</p> <p>Qlight's design and quality assurance system has been certified by the Korean Register of Shipping.</p>
 <p>KC Korea Safety Certification</p> <p>Qlight's products are certified by KC for preventing accident caused by fire.</p>	 <p>E-mark Commission Directive Regarding Vehicle Industry</p> <p>Qlight has obtained EU mark for approved vehicles and vehicle components sold into the EU(EEA : European Economic Area)</p>
 <p>ICAO International Civil Aviation Organization</p> <p>Qlight guarantees our products satisfy the criteria regulated by the International Civil Aviation Organization(ICAO, FAA).</p>	 <p>KCC Conformity Assessment of Broadcasting Communication Equipment</p> <p>Qlight has been certified to protect the electromagnetic environment that causes unwanted electromagnetic waves from the device, communication failure due to other devices or external radio waves, and malfunction of the device.</p>
 <p>UL Underwriters Laboratories</p> <p>Qlight's design and quality assurance system has been certified from UL to ensure the stability of consumption goods and to protect consumers.</p>	 <p>CCCF China Certification Center for Security & Protection</p> <p>Qlight has passed the rigorous examination process of "Passing Fire Protection Products Centering" In order to sell fire-fighting products such as fire alarm equipment to Chinese market.</p>
 <p>CCC China Compulsory Certificate</p> <p>Qlight's has obtained CCC which guarantees safety, protection against fraud, environment, etc.</p>	 <p>CE European Commission</p> <p>Qlight has been certified by the European Commission.</p>
 <p>RoHS2 Restriction of Hazardous Substances Directive</p> <p>Qlight c omplies with the Restriction of Hazardous Substances Directive by limiting its use of hazardous materials.</p>	



For your safety

Specification and dimensions listed in this catalogue subject to change without notice for product quality improvement.
The newest product information is available on our website.(www.qlight.com)
Please read the instruction manual attached to the product carefully before installation and use.

Qlight Co., Ltd. www.qlight.com | trade@qlight.com

Head Office | Suite #1510, STX-V Tower, 128 Gasan digital 1-ro, Geumcheon-gu, Seoul, Korea

Tel. +82-2-2679-6152(Toll free. +82-80-328-2222) Fax. +82-2-2679-6154

Factory | 185-25, Mukbang-ro, Sangdong-myeon, Gimhae-si, Gyeongsangnamdo, Korea Tel. +82-55-328-1111(Toll free. +82-80-328-1111)

Qlight OverSEAs Sales Dept | 704 Nakdong-daero, Sasang-gu, Busan, Korea(Eomgung-Dong) Tel : +82-51-620-4100

Qlight Public Relations & Marketing Team Office | 704 Nakdong-daero, Sasang-gu, Busan, Korea(Eomgung-Dong) Tel. +82-51-245-0017

Qlight USA, Inc. www.qlight.com www.qlightusa.com | sales@qlightusa.com

3003 North First Street, Suite #341, San Jose, CA 95134 USA Tel. +1-408-519-5740 Fax. +1-408-519-5739

SHANGHAI Qlight Electronic Co., Ltd. www.qlight.com www.qlightcn.com | qlightcn@qlight.com

China Factory/ Shanghai Sales Office | #19, Nanda Road, Baoshan Area, Shanghai, China Tel. +86-21-6651-7100 Fax. +86-21-6315-3929

China Factory Site 2 (Qidong) | #33, Haiyan Road, Qidong High-tech Industrial Development Zone, Qidong, Jiangsu Province, China

Tel +86-513-8384-9999 Fax +86-513-8384-9910

Qlightec

Innovation in Alarm & Signal

Product Operation Inquiry / Customer Support +82-51-620-4100

You can expect prompt service if you have exact information such as model name, symptom, telephone number and address.

※ ALL PRODUCT, PRODUCT SPECIFICATIONS AND DATA ARE SUBJECT TO CHANGE WITHOUT NOTICE TO IMPROVE RELIABILITY, FUNCTION OR DESIGN OR OTHERWISE.

Head office : Suite #1510, STX-V Tower, 128 Gasan digital 1-ro, Geumcheon-gu, Seoul, Korea (Postal Code : 08507)

Factory : 185-25, Mukbang-Ro, Sangdong-Myeon, Gimhae-Si, Gyeongsangnam-Do, Korea (Postal Code : 50805)

www.qlight.com

EN - STG40L - 2106A