

Autonics Refrigeration Temperature Controller TC3YF SERIES INSTRUCTION MAUAL



Thank you for choosing our Autonics product. Please read the following safety considerations before use.

■ Safety Considerations

- ※ Please observe all safety considerations for safe and proper product operation to avoid hazards.
- ※ **Warning** symbol represents caution due to special circumstances in which hazards may occur.
- Warning** Failure to follow these instructions may result in serious injury or death.
- Caution** Failure to follow these instructions may result in personal injury or product damage.

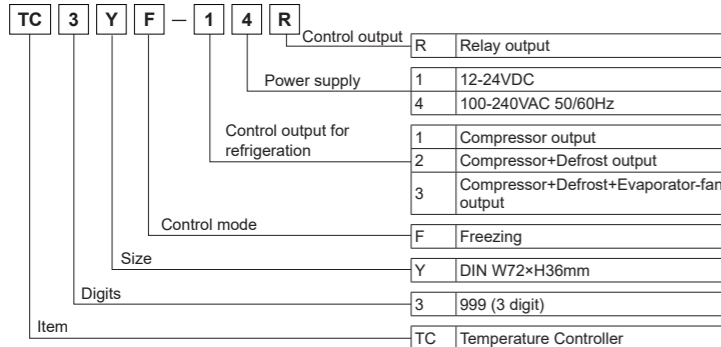
▲ Warning

- Fail-safe device must be installed when using the unit with machinery that may cause serious injury or substantial economic loss. (e.g. nuclear power control, medical equipment, ships, vehicles, railways, aircraft, combustion apparatus, safety equipment, crime/disaster prevention devices, etc.) Failure to follow this instruction may result in fire, personal injury, or economic loss.
- Install on a device panel to use. Failure to follow this instruction may result in electric shock or fire.
- Do not connect, repair, or inspect the unit while connected to a power source. Failure to follow this instruction may result in electric shock or fire.
- Check 'Connections' before wiring. Failure to follow this instruction may result in fire.
- Do not disassemble or modify the unit. Failure to follow this instruction may result in electric shock or fire.

▲ Caution

- When connecting the power input and relay output, use AWG 28-12 cable and tighten the terminal screw with a tightening torque of 0.3-0.4N·m. When connecting the sensor input and communication cable without dedicated cable, use AWG 28-16 cable and tighten the terminal screw with a tightening torque of 0.3-0.4N·m. Failure to follow this instruction may result in fire or malfunction due to contact failure.
- Use the unit within the rated specifications. Failure to follow this instruction may result in fire or product damage.
- Use dry cloth to clean the unit, and do not use water or organic solvent. Failure to follow this instruction may result in electric shock or fire.
- Do not use the unit in the place where flammable/explosive/corrosive gas, humidity, direct sunlight, radiant heat, vibration, impact, or salinity may be present. Failure to follow this instruction may result in fire or explosion.
- Keep metal chip, dust, and wire residue from flowing into the unit. Failure to follow this instruction may result in fire or product damage.

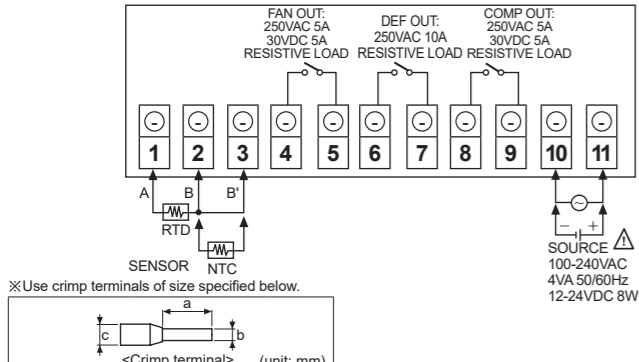
■ Ordering Information



■ Input Type and Temperature Range

Input type	Temperature range (°C)	Temperature range (°F)
Thermistor (5kΩ)	-40.0 to 99.9	-40 to 212
RTD (DPT 100Ω) ^{※1}	-99.9 to 99.9	-148 to 212

■ Connections



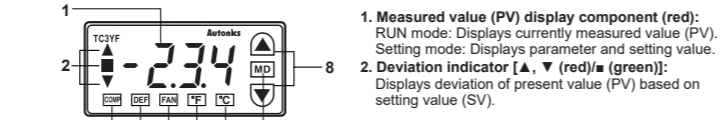
※ The above specifications are subject to change and some models may be discontinued without notice. ※ Be sure to follow cautions written in the instruction manual and the technical descriptions (catalog, homepage).

■ Specifications

Model	TC3YF-1_R	TC3YF-2_R	TC3YF-3_R
Power supply	AC power 100-240VAC~ 50/60Hz	DC power 12-24VDC≒	
Allowable voltage range	90 to 110% of rated voltage		
Power consumption	AC power Max. 4VA (100-240VAC 50/60Hz)	DC power Max. 8W (12-24VDC)	
Display method	7 Segment LED method (red)		
Character size (W×H)	7.4×15.0mm		
Input type	NTC: 5kΩ, RTD ^{※1} : DPT 100Ω		
Input line resistance	Allowable line resistance is max. 5Ω per a wire		
Sampling period	500ms		
Display accuracy	• At room temp. (23 ±5°C): (PV ±0.5% or 1°C, select the higher one) rdg ±1digit • Out of room temp. range: (PV ±0.5% or 1°C, select the higher one) rdg ±1°C		
Control output	Compressor (COMP) 250VAC~ 5A, 30VDC≒ 5A, 1a	Defrost (DEF) —	Evaporator-fan (FAN) — 250VAC~ 10A 1a
Control method	ON/OFF control		
Hysteresis	0.5 to 5.0°C, 2 to 50°F variable		
Relay life cycle	Compressor (COMP) Mechanical: Min. 20,000,000 operations, Electrical: Min. 50,000 operations (250VAC 5A resistive load)	Defrost (DEF) Mechanical: Min. 20,000,000 operations, Electrical: Min. 100,000 operations (250VAC 10A resistive load)	Evaporator-fan (FAN) Mechanical: Min. 20,000,000 operations, Electrical: Min. 50,000 operations (250VAC 5A resistive load)
Memory retention	Approx. 10 years (non-volatile memory method)		
Insulation resistance	100MΩ (at 500VDC megger)		
Dielectric strength	2000VAC 60Hz for 1 min (between all external terminals and case)		
Vibration	Mechanical 0.75mm amplitude at frequency of 10 to 55Hz (for 1 min) in each X, Y, Z direction for 2 hours	Malfunction 0.5mm amplitude at frequency of 10 to 55Hz (for 1 min) in each X, Y, Z direction for 10 min	
Noise resistance	AC power Square-wave noise by the noise simulator (pulse width: 1μs) ±2kV R-phase and S-phase	DC power Square-wave noise by the noise simulator (pulse width: 1μs) ±500V R-phase and S-phase	
Environment	Ambient temperature -10 to 50°C, storage: -20 to 60°C	Ambient humidity 35 to 85%RH, storage: 35 to 85%RH	
Protection structure	IP65 (front part, IEC Standards)		
Approval	AC power	DC power	
Weight ^{※2}	Approx. 229g (Approx. 143g)		

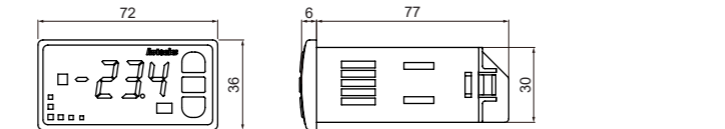
- ※1: RTD input type is option.
- ※2: The weight includes packaging. The weight in parentheses is for unit only. The weight may be varied by model specification and option.
- ※ Environment resistance is rated at no freezing or condensation.

■ Part Description

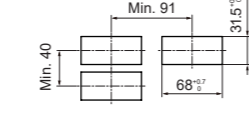


- Measured value (PV) display component (red): RUN mode: Displays currently measured value (PV). Setting mode: Displays parameter and setting value.
- Deviation indicator [▲, ▼] (red) [■] (green): Displays deviation of present value (PV) based on setting value (SV).
- Compressor (COMP) output indicator: Turns ON for compressor output. Flashes for protection operation, not compressor output.
- Defrost (DEF) output indicator: Turns ON for defrost output. Flashes for defrost delay operation.
- Evaporator-fan (FAN) output indicator: Turns ON for Evaporator-fan output. Flashes for delay operation of Evaporator-fan output.
- Unit indicator (°C, °F): Displays temperature unit
- [MD] key: Used for entering parameter setting group, returning RUN mode, moving parameter or saving SV.
- [▲], [▼] key: Used for changing SV of parameter setting. Hold the [▲] key for 3 sec in RUN mode to execute/stop manual defrost.

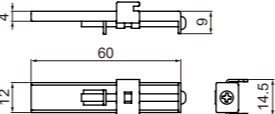
■ Dimensions



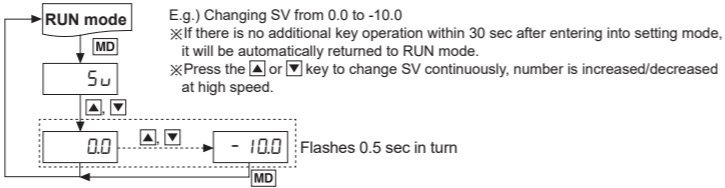
■ Panel cut-out



■ Bracket



■ SV Setting

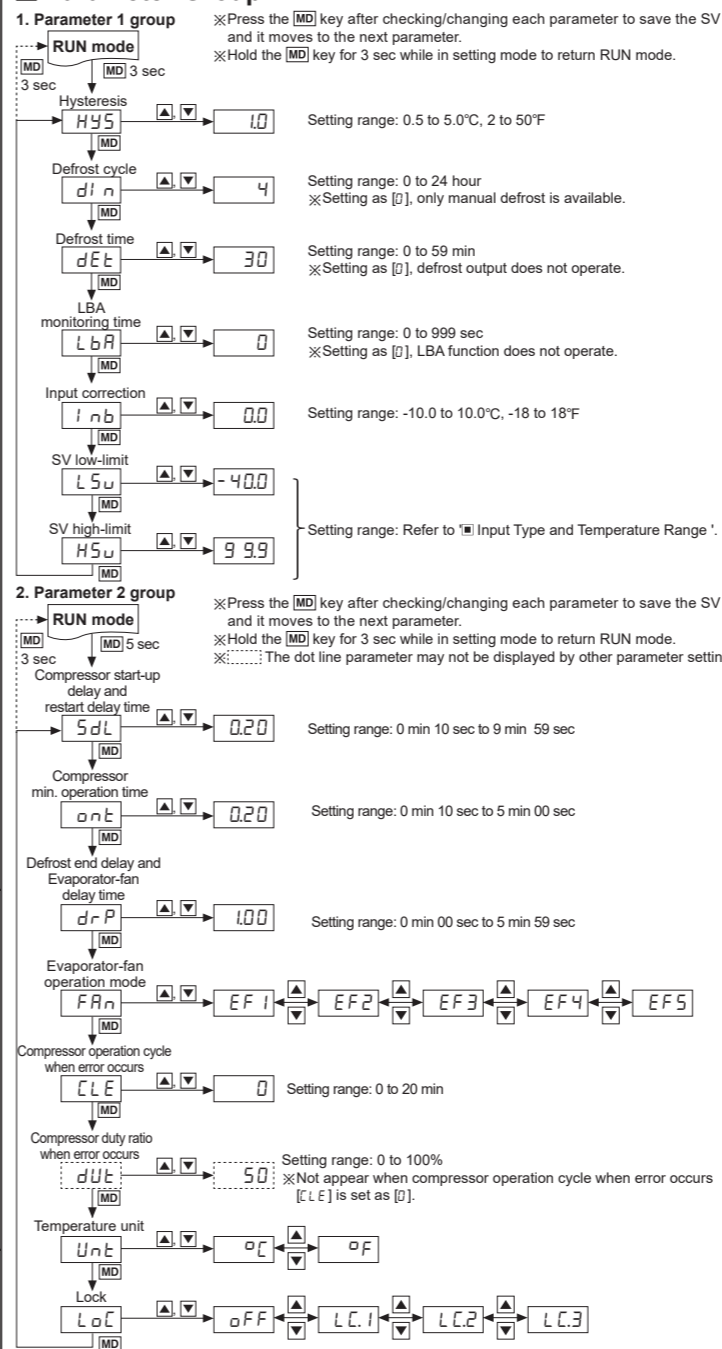


■ Factory Default

Parameter	Default
SV	0.0

Parameter 1 group	Default	Parameter 2 group	Default
HY5	1.0	LnB	0.0
dIn	4	LSu	40.0
dEt	30	HSu	9.99
LbR	0	dRP	100
		FRn	EF1
		LcC	oFF

■ Parameter Group



■ Functions

1. Compressor Protection
This function is for preventing compressor from life cycle shortening or malfunction by overload and frequent ON/OFF of compressor. As compressor protection settings, when compressor output does not ON, the front compressor (COMP) output indicator is flashing.

- Compressor start-up delay and restart delay time [5dL]
If power turns ON instantly from break-down or power OFF, it delays start-up during the set time of compressor. To prevent frequent compressor ON/OFF, set compressor ON time after compressor turns OFF. Setting range: 0 min 10 sec to 9 min 59 sec
- Compressor min. operation time [onT]
To prevent frequent compressor ON/OFF, set min. operation time. Setting range: 0 min 10 sec to 5 min 00 sec

2. Compressor Control When Error Occur
If normal temperature control is impossible due to error, it controls compressor output by the set operation cycle and duty ratio to protect control object. Until error is cleared, operation cycle and duty ratio are applied repeatedly.

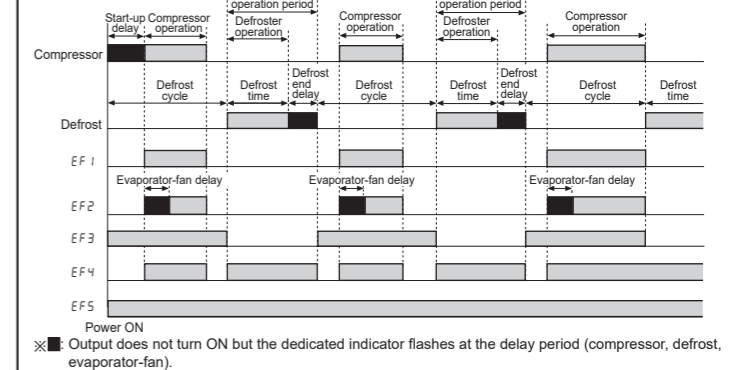
- Compressor operation cycle [CLE], duty ratio [dUr] when error occur
Set compressor operation cycle as [0], and compressor output turns OFF. Set duty ratio as [100], and compressor output turns ON continuously. Setting range of compressor operation cycle when error occur: 0 to 20 min. Setting range of compressor duty ratio when error occur: 0 to 100% (E.g.) When compressor operation cycle when error occur [CLE] is set as 10 min and compressor duty ratio when error occur [dUr] is set as 50%, compressor output has 10 min cycle and turns ON for 5 min and turns OFF for 5 min.

3. Defrost Control

When operating a compressor for a long time, an evaporator and a freezer are freezing and thermal efficiency of compressor is decreased. For increasing thermal efficiency, defrost operation helps to remove frost or ice around of evaporator. Set defrost cycle, time, etc. to operate defrost (heater defrost). The front defrost (DEF) output indicator turns ON during defrost output and it flashes during defrost delay operation.

- Defrost cycle [dIn], Defrost time [dEt]
Set defrost cycle and time to operate defrost at every set cycle and during the set time. Set defrost cycle as [0], only manual defrost is available. Setting range of defrost cycle: 0 to 24 hour Defrost time Setting range: 0 to 59 min
- Manual defrost
Execute defrost manually regardless of the set defrost cycle. Hold the [▲] key for 3 sec to operate defrost during the set defrost time. When defrost output turns ON, operating compressor output, Evaporator-fan output turn OFF. Hold the [▼] key for 3 sec during manual defrost, applied manual defrost is complete and pre-set defrost cycle restarts.
- Defrost end delay and Evaporator-fan start-up delay time [dRP]
Defrost end delay time and Evaporator-fan start-up delay time operate individually by one setting. Setting range: 0 min 00 sec to 5 min 59 sec
- Defrost end delay time: During defrost operation, drops may exist at evaporator. Set the time to drain remained drops after completing defrost.
- Evaporator-fan start-up delay time: If evaporator temperature is increased by defrost operation, warm air may flow into cooling system by Evaporator-fan operation. Set Evaporator-fan start-up delay time to prevent warm air inflow, and it may increase cooling efficiency.

4. Evaporator-fan operation mode



Parameter	Operation method
EF1	When compressor operates, evaporator-fan also operates. When compressor operation is finished, evaporator-fan also operation turns OFF.
EF2	When compressor operates, evaporator-fan operates after the set evaporator-fan start-up delay time. When compressor operation is finished, evaporator-fan operation turns OFF. (regardless of defroster operation)
EF3	When power turns ON, evaporator-fan operates. When defroster operates, evaporator-fan stops. (regardless of compressor operation)
EF4	Evaporator-fan operates only when operating compressor or defrost. Evaporator-fan stops when compressor and defroster stops. (for above zero temperature control)
EF5	Evaporator-fan operates from power ON to power OFF. (regardless of compressor, defroster operation)

5. Loop Break Alarm (LBA) [LbR]

When freezer temperature is not changed over 1.0 (2°F) during set LBA monitoring time [LbR] of parameter 1 group, it regards as abnormal compressor and it displays error. (Err ← LbR, flashings in turn) When error occur, compressor is controlled according to the set compressor operation cycle [CLE] and duty ratio [dUr] when error occur. Check the compressor and hold the [▲] key for 3 sec and error clears and it operates normally. Setting range: 0 to 999 sec (Setting as [0], LBA function does not operate)

6. Lock
For preventing changing SV and parameters of each parameter group.

Display	Description
oFF	Unlock
L.C.1	Parameter 2 group
L.C.2	Locks parameter 1, 2 groups
L.C.3	Locks parameter 1, 2 groups, SV setting

7. Error Display

Flashing in turn	Description	Troubleshooting
Err ← oPn	When input sensor is break or sensor is disconnected.	Check input sensor status.
Err ← HHH	If the measured temperature is higher than high-limit temperature among temperature setting range.	It clears when input is within the display range.
Err ← LLL	If the measured temperature is lower than low-limit temperature among temperature setting range.	It clears when input is within the adequate range.
Err ← LbR	Even though input sensor is normal, freezer temperature does not change over 1.0°C (2°F) during LBA monitoring time [LbR].	Check the compressor and hold the [▲] key at the same time for 3 sec. It clears when input is within the adequate range.

■ Cautions during Use

- Follow instructions in 'Cautions during Use'. Otherwise, it may cause unexpected accidents.
- Check the polarity of the terminals before wiring the temperature sensor. For RTD temperature sensor, wire it as 3-wire type, using cables in same thickness and length. For thermocouple (CT) temperature sensor, use the designated compensation wire for extending wire.
- Keep away from high voltage lines or power lines to prevent inductive noise. In case installing power line and input signal line closely, use line filter or varistor at power line and shielded wire at input signal line. Do not use near the equipment which generates strong magnetic force or high frequency noise.
- Install a power switch or circuit breaker in the easily accessible place for supplying or disconnecting the power.
- Do not use the unit for other purpose (e.g. voltmeter, ammeter), but temperature controller.
- 12-24VDC power supply should be insulated and limited voltage/current or Class 2, SELV power supply device.
- Make a required space around the unit for radiation of heat. For accurate temperature measurement, warm up the unit over 20 min after turning on the power.
- Install a surge absorber at each end of inductive load coil when controlling high-capacity power relay or inductive load (e.g. magnet).
- Make sure that power supply voltage reaches to the rated voltage within 2 sec after supplying power.
- Do not wire to terminals which are not used.
- This unit may be used in the following environments.
 - Indoors (in the environment condition rated in 'Specifications')
 - Altitude max. 2,000m
 - Pollution degree 2
 - Installation category II

■ Major Products

<ul style="list-style-type: none"> Photoelectric Sensors Fiber Optic Sensors Door Sensors Door Side Sensors Area Sensors Proximity Sensors Pressure Sensors Rotary Encoders Connector/Socket Switching Mode Power Supplies Control Switches/Lamps/Buzzers I/O Terminal Blocks & Cables Stepper Motors/Drivers/Motion Controllers Graphic/Logic Panels Field Network Devices Laser Marking System (Fiber, Co., Nd: YAG) Laser Welding/Cutting System 	<ul style="list-style-type: none"> Temperature Controllers Temperature/Humidity Transducers SSRs/Power Controllers Counters Timers Panel Meters Tachometer/Pulse (Rate) Meters Display Units Sensor Controllers
------------------------------------------------------------------------------------------------------------------------------------------------------------------------------------------------------------------------------------------------------------------------------------------------------------------------------------------------------------------------------------------------------------------------------------------------------------------------------------------------------------------------------------------------------------------------------------------------------------------------	--------------------------------------------------------------------------------------------------------------------------------------------------------------------------------------------------------------------------------------------------------------------------------------------------------

■ HEADQUARTERS:
18, Bansong-ro 513beon-gil, Haundae-gu, Busan, South Korea, 48002
TEL: 82-51-519-2322
E-mail: sales@autonics.com