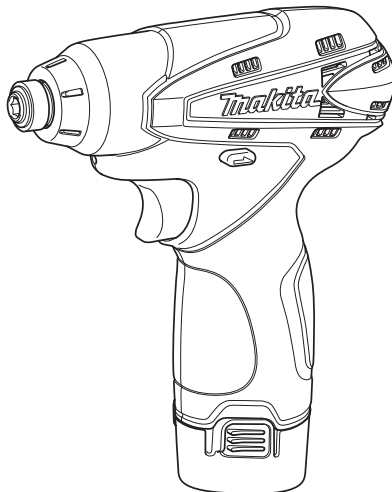
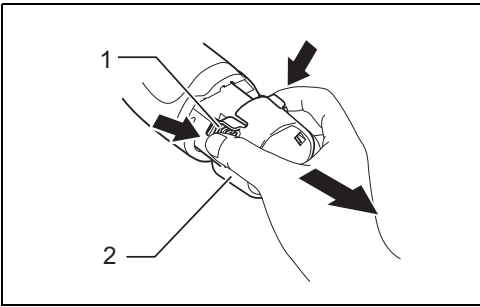




GB	Cordless Impact Driver	Instruction manual
ID	Obeng Ketok Listrik Tanpa Kabel	Petunjuk penggunaan
VI	Máy Vặn Vít Cầm Tay Hoạt Động Bằng Pin	Tài liệu hướng dẫn
TH	สว่านไขควงกระแทกแบบไร้สาย	คู่มือการใช้งาน

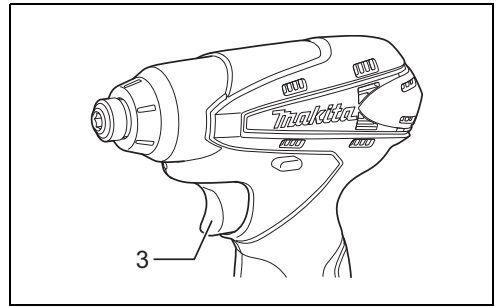
TD090D





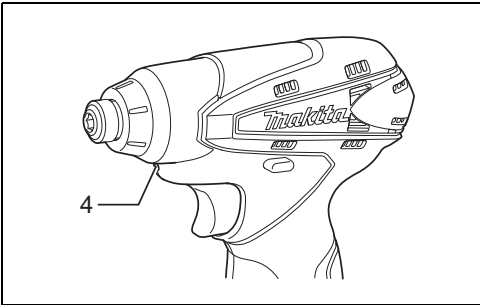
1

008797



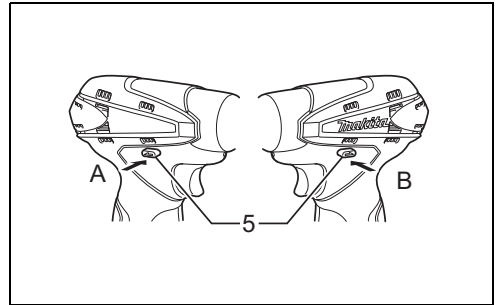
2

008817



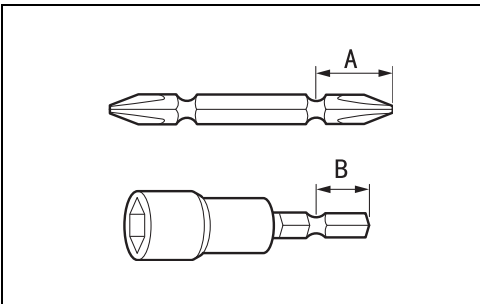
3

008820



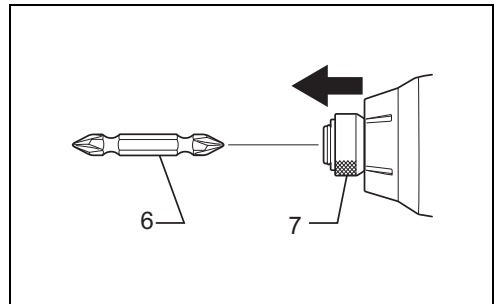
4

008818



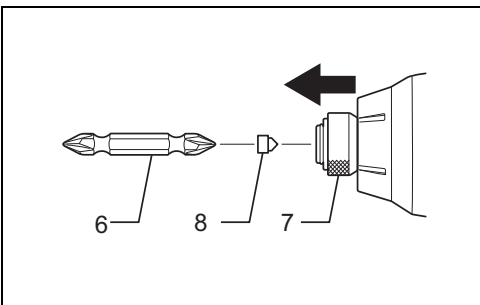
5

004521



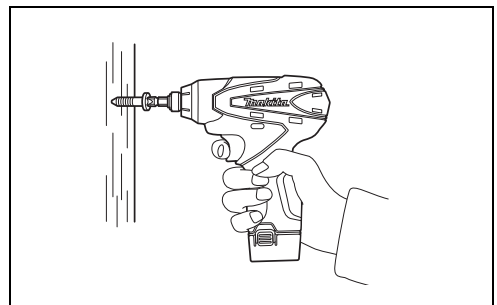
6

008815



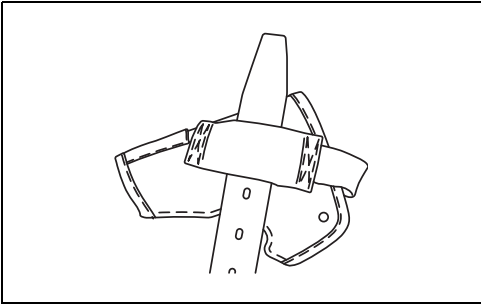
7

008816



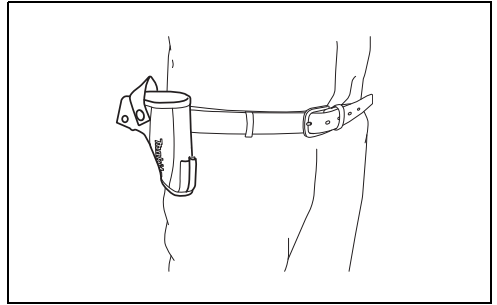
8

008819



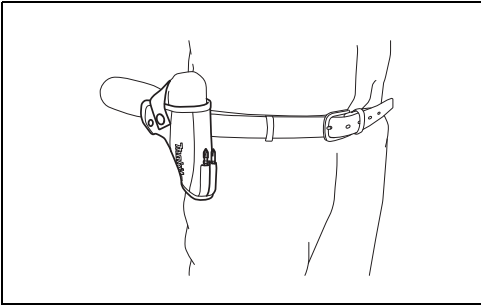
9

008807



10

008808



11

008809

ENGLISH

Explanation of general view

- | | | |
|----------------------|---------------------------|--------------|
| 1. Button | 4. Lamp | 7. Sleeve |
| 2. Battery cartridge | 5. Reversing switch lever | 8. Bit-piece |
| 3. Switch trigger | 6. Bit | |

SPECIFICATIONS

Model		TD090D
Capacities	Machine screw	4 mm - 8 mm
	Standard bolt	5 mm - 14 mm
	High tensile bolt	5 mm - 10 mm
No load speed (min ⁻¹)		0 - 2,400
Impacts per minute		0 - 3,000
Overall length		155 mm
Net weight		0.92 kg
Rated voltage		D.C. 10.8 V

- Due to our continuing program of research and development, the specifications herein are subject to change without notice.
- Specifications may differ from country to country.
- Weight, with battery cartridge, according to EPTA-Procedure 01/2014

Applicable battery cartridge and charger

Battery cartridge	BL1013
Charger	DC10WA

- Some of the battery cartridges and chargers listed above may not be available depending on your region of residence.

WARNING:

- **Only use the battery cartridges and chargers listed above.** Use of any other battery cartridges and chargers may cause injury and/or fire.

END004-6

Symbols

The following show the symbols used for the equipment.
Be sure that you understand their meaning before use.



..... Read instruction manual.


ENE033-1

Intended use

The tool is intended for screw driving in wood, metal and plastic.

GEA013-2

General Power Tool Safety Warnings

 **WARNING: Read all safety warnings, instructions, illustrations and specifications provided with this power tool.** Failure to follow all instructions listed below may result in electric shock, fire and/or serious injury.

Save all warnings and instructions for future reference.

The term "power tool" in the warnings refers to your mains-operated (corded) power tool or battery-operated (cordless) power tool.

Work area safety

1. **Keep work area clean and well lit.** Cluttered or dark areas invite accidents.
2. **Do not operate power tools in explosive atmospheres, such as in the presence of flammable liquids, gases or dust.** Power tools create sparks which may ignite the dust or fumes.
3. **Keep children and bystanders away while operating a power tool.** Distractions can cause you to lose control.

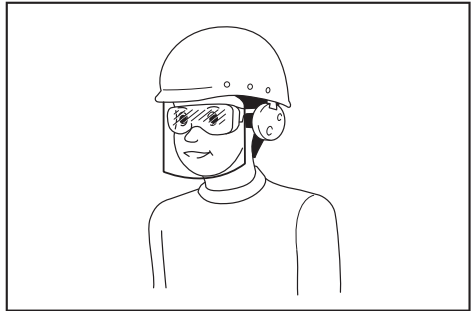
Electrical safety

1. **Power tool plugs must match the outlet. Never modify the plug in any way. Do not use any adapter plugs with earthed (grounded) power tools.** Unmodified plugs and matching outlets will reduce risk of electric shock.
2. **Avoid body contact with earthed or grounded surfaces such as pipes, radiators, ranges and refrigerators.** There is an increased risk of electric shock if your body is earthed or grounded.
3. **Do not expose power tools to rain or wet conditions.** Water entering a power tool will increase the risk of electric shock.
4. **Do not abuse the cord. Never use the cord for carrying, pulling or unplugging the power tool. Keep cord away from heat, oil, sharp edges or moving parts.** Damaged or entangled cords increase the risk of electric shock.

5. **When operating a power tool outdoors, use an extension cord suitable for outdoor use.** Use of a cord suitable for outdoor use reduces the risk of electric shock.
6. **If operating a power tool in a damp location is unavoidable, use a residual current device (RCD) protected supply.** Use of an RCD reduces the risk of electric shock.
7. **Power tools can produce electromagnetic fields (EMF) that are not harmful to the user.** However, users of pacemakers and other similar medical devices should contact the maker of their device and/or doctor for advice before operating this power tool.

Personal safety

1. **Stay alert, watch what you are doing and use common sense when operating a power tool. Do not use a power tool while you are tired or under the influence of drugs, alcohol or medication.** A moment of inattention while operating power tools may result in serious personal injury.
2. **Use personal protective equipment. Always wear eye protection.** Protective equipment such as a dust mask, non-skid safety shoes, hard hat, or hearing protection used for appropriate conditions will reduce personal injuries.
3. **Prevent unintentional starting. Ensure the switch is in the off-position before connecting to power source and/or battery pack, picking up or carrying the tool.** Carrying power tools with your finger on the switch or energising power tools that have the switch on invites accidents.
4. **Remove any adjusting key or wrench before turning the power tool on.** A wrench or a key left attached to a rotating part of the power tool may result in personal injury.
5. **Do not overreach. Keep proper footing and balance at all times.** This enables better control of the power tool in unexpected situations.
6. **Dress properly. Do not wear loose clothing or jewellery. Keep your hair and clothing away from moving parts.** Loose clothes, jewellery or long hair can be caught in moving parts.
7. **If devices are provided for the connection of dust extraction and collection facilities, ensure these are connected and properly used.** Use of dust collection can reduce dust-related hazards.
8. **Do not let familiarity gained from frequent use of tools allow you to become complacent and ignore tool safety principles.** A careless action can cause severe injury within a fraction of a second.
9. **Always wear protective goggles to protect your eyes from injury when using power tools. The goggles must comply with ANSI Z87.1 in the USA, EN 166 in Europe, or AS/NZS 1336 in Australia/New Zealand. In Australia/New Zealand, it is legally required to wear a face shield to protect your face, too.**



It is an employer's responsibility to enforce the use of appropriate safety protective equipments by the tool operators and by other persons in the immediate working area.

Power tool use and care

1. **Do not force the power tool. Use the correct power tool for your application.** The correct power tool will do the job better and safer at the rate for which it was designed.
2. **Do not use the power tool if the switch does not turn it on and off.** Any power tool that cannot be controlled with the switch is dangerous and must be repaired.
3. **Disconnect the plug from the power source and/or remove the battery pack, if detachable, from the power tool before making any adjustments, changing accessories, or storing power tools.** Such preventive safety measures reduce the risk of starting the power tool accidentally.
4. **Store idle power tools out of the reach of children and do not allow persons unfamiliar with the power tool or these instructions to operate the power tool.** Power tools are dangerous in the hands of untrained users.
5. **Maintain power tools and accessories. Check for misalignment or binding of moving parts, breakage of parts and any other condition that may affect the power tool's operation. If damaged, have the power tool repaired before use.** Many accidents are caused by poorly maintained power tools.
6. **Keep cutting tools sharp and clean.** Properly maintained cutting tools with sharp cutting edges are less likely to bind and are easier to control.
7. **Use the power tool, accessories and tool bits etc. in accordance with these instructions, taking into account the working conditions and the work to be performed.** Use of the power tool for operations different from those intended could result in a hazardous situation.
8. **Keep handles and grasping surfaces dry, clean and free from oil and grease.** Slippery handles and grasping surfaces do not allow for safe handling and control of the tool in unexpected situations.
9. **When using the tool, do not wear cloth work gloves which may be entangled.** The entanglement of cloth work gloves in the moving parts may result in personal injury.

Battery tool use and care

1. **Recharge only with the charger specified by the manufacturer.** A charger that is suitable for one type of battery pack may create a risk of fire when used with another battery pack.
2. **Use power tools only with specifically designated battery packs.** Use of any other battery packs may create a risk of injury and fire.
3. **When battery pack is not in use, keep it away from other metal objects, like paper clips, coins, keys, nails, screws or other small metal objects, that can make a connection from one terminal to another.** Shorting the battery terminals together may cause burns or a fire.
4. **Under abusive conditions, liquid may be ejected from the battery; avoid contact. If contact accidentally occurs, flush with water. If liquid contacts eyes, additionally seek medical help.** Liquid ejected from the battery may cause irritation or burns.
5. **Do not use a battery pack or tool that is damaged or modified.** Damaged or modified batteries may exhibit unpredictable behaviour resulting in fire, explosion or risk of injury.
6. **Do not expose a battery pack or tool to fire or excessive temperature.** Exposure to fire or temperature above 130 °C may cause explosion.
7. **Follow all charging instructions and do not charge the battery pack or tool outside the temperature range specified in the instructions.** Charging improperly or at temperatures outside the specified range may damage the battery and increase the risk of fire.

Service

1. **Have your power tool serviced by a qualified repair person using only identical replacement parts.** This will ensure that the safety of the power tool is maintained.
2. **Never service damaged battery packs.** Service of battery packs should only be performed by the manufacturer or authorized service providers.
3. **Follow instruction for lubricating and changing accessories.**

GEB137-1

Cordless impact driver safety warnings

1. **Hold the power tool by insulated gripping surfaces, when performing an operation where the fastener may contact hidden wiring.** Fasteners contacting a “live” wire may make exposed metal parts of the power tool “live” and could give the operator an electric shock.
2. **Always be sure you have a firm footing. Be sure no one is below when using the tool in high locations.**
3. **Hold the tool firmly.**
4. **Wear ear protectors.**
5. **Do not touch the bit or the workpiece immediately after operation. They may be extremely hot and could burn your skin.**
6. **Keep hands away from rotating parts.**

6

7. **Use auxiliary handle(s), if supplied with the tool.** Loss of control can cause personal injury.
8. **Hold the power tool by insulated gripping surfaces, when performing an operation where the cutting accessory may contact hidden wiring.** Cutting accessory contacting a “live” wire may make exposed metal parts of the power tool “live” and could give the operator an electric shock.

SAVE THESE INSTRUCTIONS.

⚠ WARNING:

DO NOT let comfort or familiarity with product (gained from repeated use) replace strict adherence to safety rules for the subject product.

MISUSE or failure to follow the safety rules stated in this instruction manual may cause serious personal injury.

ENC009-5

Important safety instructions for battery cartridge

1. **Before using battery cartridge, read all instructions and cautionary markings on (1) battery charger, (2) battery, and (3) product using battery.**
2. **Do not disassemble battery cartridge.**
3. **If operating time has become excessively shorter, stop operating immediately. It may result in a risk of overheating, possible burns and even an explosion.**
4. **If electrolyte gets into your eyes, rinse them out with clear water and seek medical attention right away. It may result in loss of your eyesight.**
5. **Do not short the battery cartridge:**
 - (1) **Do not touch the terminals with any conductive material.**
 - (2) **Avoid storing battery cartridge in a container with other metal objects such as nails, coins, etc.**
 - (3) **Do not expose battery cartridge to water or rain.**

A battery short can cause a large current flow, overheating, possible burns and even a breakdown.

6. **Do not store the tool and battery cartridge in locations where the temperature may reach or exceed 50 °C (122 °F).**
7. **Do not incinerate the battery cartridge even if it is severely damaged or is completely worn out. The battery cartridge can explode in a fire.**
8. **Be careful not to drop or strike battery.**
9. **Do not use a damaged battery.**
10. **The contained lithium-ion batteries are subject to the Dangerous Goods Legislation requirements.** For commercial transports e.g. by third parties, forwarding agents, special requirement on packaging and labeling must be observed.

For preparation of the item being shipped, consulting an expert for hazardous material is required. Please also observe possibly more detailed national regulations.

Tape or mask off open contacts and pack up the battery in such a manner that it cannot move around in the packaging.

11. **Follow your local regulations relating to disposal of battery.**
12. **Use the batteries only with the products specified by Makita.** Installing the batteries to non-compliant products may result in a fire, excessive heat, explosion, or leak of electrolyte.

SAVE THESE INSTRUCTIONS.

⚠ CAUTION:

- **Only use genuine Makita batteries.** Use of non-genuine Makita batteries, or batteries that have been altered, may result in the battery bursting causing fires, personal injury and damage. It will also void the Makita warranty for the Makita tool and charger.

Tips for maintaining maximum battery life

1. **Charge the battery cartridge before completely discharged. Always stop tool operation and charge the battery cartridge when you notice less tool power.**
2. **Never recharge a fully charged battery cartridge. Overcharging shortens the battery service life.**
3. **Charge the battery cartridge with room temperature at 10 °C - 40 °C (50 °F - 104 °F). Let a hot battery cartridge cool down before charging it.**

FUNCTIONAL DESCRIPTION

⚠ CAUTION:

- Always be sure that the tool is switched off and the battery cartridge is removed before adjusting or checking function on the tool.

Installing or removing battery cartridge (Fig. 1)

⚠ CAUTION:

- Always switch off the tool before installing or removing of the battery cartridge.
- **Hold the tool and the battery cartridge firmly when installing or removing battery cartridge.** Failure to hold the tool and the battery cartridge firmly may cause them to slip off your hands and result in damage to the tool and battery cartridge and a personal injury.

To remove the battery cartridge, withdraw it from the tool while pressing the buttons on both sides of the cartridge. To install the battery cartridge, hold it so that the battery cartridge front shape fits to that of the battery installment opening and slip it into place. Insert it all the way until it locks in place with a little click.

⚠ CAUTION:

- Always insert the battery cartridge all the way until it locks in place. If not, it may accidentally fall out of the tool, causing injury to you or someone around you.
- Do not install the battery cartridge forcibly. If the cartridge does not slide in easily, it is not being inserted correctly.

Battery protection system

The tool is equipped with a battery protection system. This system automatically cuts off power to the motor to extend battery life.

The tool will automatically stop during operation if the tool and/or battery are placed under one of the following conditions:

- **Overloaded:**
The tool is operated in a manner that causes it to draw an abnormally high current.
In this situation, release the switch trigger on the tool and stop the application that caused the tool to become overloaded. Then pull the switch trigger again to restart.
- **Low battery voltage:**
The remaining battery capacity is too low and the tool will not operate. If you pull the switch trigger, the motor runs again but stops soon. In this situation, remove and recharge the battery.

Switch action (Fig. 2)

⚠ CAUTION:

- Before inserting the battery cartridge into the tool, always check to see that the switch trigger actuates properly and returns to the "OFF" position when released.

To start the tool, simply pull the switch trigger. Tool speed is increased by increasing pressure on the switch trigger. Release the switch trigger to stop.

Turning on the front lamp (Fig. 3)

⚠ CAUTION:

- Do not look in the light or see the source of light directly.

Pull the switch trigger to turn on the light. The lamp keeps on lighting while the switch trigger is being pulled. The lamp turns off 10 -15 seconds after releasing the trigger.

NOTE:

- Use a dry cloth to wipe the dirt off the lens of lamp. Be careful not to scratch the lens of lamp, or it may lower the illumination.

Reversing switch action (Fig. 4)

This tool has a reversing switch to change the direction of rotation. Depress the reversing switch lever from the A side for clockwise rotation or from the B side for counterclockwise rotation.

When the reversing switch lever is in the neutral position, the switch trigger cannot be pulled.

⚠ CAUTION:

- Always check the direction of rotation before operation.
- Use the reversing switch only after the tool comes to a complete stop. Changing the direction of rotation before the tool stops may damage the tool.
- When not operating the tool, always set the reversing switch lever to the neutral position.

ASSEMBLY

⚠ CAUTION:

- Always be sure that the tool is switched off and the battery cartridge is removed before carrying out any work on the tool.

Installing or removing driver bit or socket bit (Fig. 5)

Use only bits that has inserting portion shown in the figure.

A = 17 mm B = 14 mm	To install these types of bits, follow the procedure (1). (Note) Makita bits are these types.
A = 12 mm B = 9 mm	To install these types of bits, follow the procedure (2). (Note) Bit-piece is necessary for installing the bit.

006349

1. To install the bit, pull the sleeve in the direction of the arrow and insert the bit into the sleeve as far as it will go. Then release the sleeve to secure the bit. (Fig. 6)
2. To install the bit, pull the sleeve in the direction of the arrow and insert the bit-piece and bit into the sleeve as far as it will go. The bit-piece should be inserted into the sleeve with its pointed end facing in. Then release the sleeve to secure the bit. (Fig. 7)

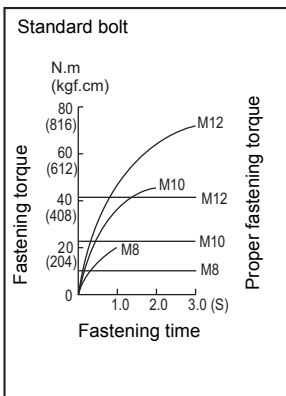
To remove the bit, pull the sleeve in the direction of the arrow and pull the bit out firmly.

NOTE:

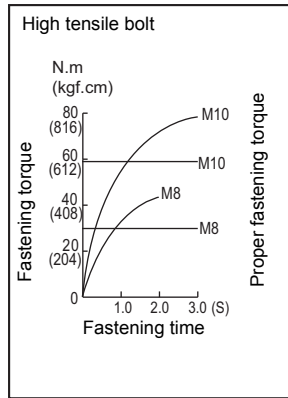
- If the bit is not inserted deep enough into the sleeve, the sleeve will not return to its original position and the bit will not be secured. In this case, try re-inserting the bit according to the instructions above.

OPERATION (Fig. 8)

The proper fastening torque may differ depending upon the kind or size of the screw/bolt, the material of the workpiece to be fastened, etc. The relation between fastening torque and fastening time is shown in the figures.



008823



008825

Hold the tool firmly and place the point of the driver bit in the screw head. Apply forward pressure to the tool to the extent that the bit will not slip off the screw and turn the tool on to start operation.

NOTE:

- Use the proper bit for the head of the screw/bolt that you wish to use.
- When fastening screw M8 or smaller, carefully adjust pressure on the switch trigger so that the screw is not damaged.
- Hold the tool pointed straight at the screw.
- If you tighten the screw for a time longer than shown in the figures, the screw or the point of the driver bit may be overstressed, stripped, damaged, etc. Before starting your job, always perform a test operation to determine the proper fastening time for your screw.

The fastening torque is affected by a wide variety of factors including the following. After fastening, always check the torque with a torque wrench.

1. When the battery cartridge is discharged almost completely, voltage will drop and the fastening torque will be reduced.
2. Driver bit or socket bit
Failure to use the correct size driver bit or socket bit will cause a reduction in the fastening torque.
3. Bolt
 - Even though the torque coefficient and the class of bolt are the same, the proper fastening torque will differ according to the diameter of bolt.
 - Even though the diameters of bolts are the same, the proper fastening torque will differ according to the torque coefficient, the class of bolt and the bolt length.
4. The manner of holding the tool or the material of driving position to be fastened will affect the torque.
5. Operating the tool at low speed will cause a reduction in the fastening torque.

Using holster

CAUTION:

- Do not use for tools such as a drill with a bit installed on them.
- Turn off a tool and wait until it comes to a complete stop before placing in the holster.
Be sure to close the holster securely so that it holds the tool firmly.

Thread a waist belt or similar through holster holder.

(Fig. 9)

Put the tool in the holster and lock it with the holster button. (Fig. 10)

Two bits can be retained at the front of holster. (Fig. 11)

MAINTENANCE

CAUTION:

- Always be sure that the tool is switched off and the battery cartridge is removed before attempting to perform inspection or maintenance.
 - Never use gasoline, benzine, thinner, alcohol or the like. Discoloration, deformation or cracks may result.
- To maintain product SAFETY and RELIABILITY, repairs, any other maintenance or adjustment should be performed by Makita Authorized Service Centers, always using Makita replacement parts.

OPTIONAL ACCESSORIES

CAUTION:

- These accessories or attachments are recommended for use with your Makita tool specified in this manual. The use of any other accessories or attachments might present a risk of injury to persons. Only use accessory or attachment for its stated purpose.

If you need any assistance for more details regarding these accessories, ask your local Makita Service Center.

- Screw bits
- Socket bits
- Bit piece
- Holster
- Plastic carrying case
- Makita genuine battery and charger

NOTE:

- Some items in the list may be included in the tool package as standard accessories. They may differ from country to country.

BAHASA INDONESIA

Penjelasan tampilan keseluruhan

- | | | |
|------------------|------------------------------|----------------------|
| 1. Tombol | 4. Lampu | 7. Selongsong |
| 2. Baterai | 5. Tuas saklar pembalik arah | 8. Ganjal mata mesin |
| 3. Saklar pemacu | 6. Mata mesin | |

SPESIFIKASI

Model		TD090D
Kapasitas	Sekrup mesin	4 mm - 8 mm
	Baut standar	5 mm - 14 mm
	Baut mutu tinggi	5 mm - 10 mm
Kecepatan tanpa beban (min^{-1})		0 - 2.400
Hentakan per menit		0 - 3.000
Panjang keseluruhan		155 mm
Berat bersih		0,92 kg
Tegangan terukur		D.C. 10,8 V

- Karena kesinambungan program penelitian dan pengembangan kami, spesifikasi yang disebutkan di sini dapat berubah tanpa pemberitahuan.
- Spesifikasi dapat berbeda dari satu negara ke negara lainnya.
- Berat, dengan kartrid baterai, menurut Prosedur EPTA 01/2014

Kartrid dan pengisi daya baterai yang dapat digunakan

Kartrid baterai	BL1013
Pengisi daya	DC10WA

- Beberapa kartrid baterai dan pengisi daya yang tercantum di atas mungkin tidak tersedia, tergantung wilayah tempat tinggal Anda.

⚠ PERINGATAN:

- **Hanya gunakan kartrid dan pengisi daya baterai yang tercantum di atas.** Penggunaan kartrid dan pengisi daya baterai lain dapat menimbulkan risiko cedera dan/atau kebakaran.

END004-6

Simbol

Berikut ini adalah simbol-simbol yang digunakan pada peralatan ini. Pastikan Anda mengerti makna masing-masing simbol sebelum menggunakan alat.



..... Baca petunjuk penggunaan.

ENE033-1

Penggunaan

Mesin ini digunakan untuk memasang sekrup pada kayu, logam dan plastik.

GEA013-2

Peringatan Keselamatan Umum Mesin Listrik

⚠ PERINGATAN: Bacalah semua peringatan keselamatan, petunjuk, ilustrasi dan spesifikasi yang disertakan bersama mesin listrik ini. Kelalaian untuk mematuhi semua petunjuk yang tercantum di bawah ini dapat menyebabkan sengatan listrik, kebakaran dan/atau cedera serius.

Simpanlah semua peringatan dan petunjuk untuk acuan di masa depan.

Istilah "mesin listrik" dalam semua peringatan mengacu pada mesin listrik yang dijalankan dengan sumber listrik jala-jala (berkabel) atau baterai (tanpa kabel).

Keamanan tempat kerja

1. **Jaga tempat kerja selalu bersih dan berpenerangan cukup.** Tempat kerja yang berantakan dan gelap mengundang kecelakaan.
2. **Jangan gunakan mesin listrik dalam lingkungan yang mudah meledak, misalnya jika ada cairan, gas, atau debu yang mudah menyala.** Mesin listrik menimbulkan bunga api yang dapat menyalakan debu atau uap tersebut.
3. **Jauhkan anak-anak dan orang lain saat menggunakan mesin listrik.** Bila perhatian terpecah, anda dapat kehilangan kendali.

Keamanan Kelistrikan

1. **Steker mesin listrik harus cocok dengan stopkontak.** Jangan sekali-kali mengubah steker dengan cara apa pun. **Jangan menggunakan steker adaptor dengan mesin listrik terbumi (dibumikan).** Steker yang tidak diubah dan

stopkontak yang cocok akan mengurangi risiko sengatan listrik.

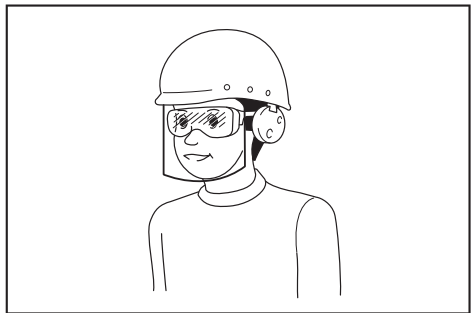
2. **Hindari sentuhan tubuh dengan permukaan termiumi atau yang dibumikan seperti pipa, radiator, kompor, dan kulkas.** Risiko sengatan listrik bertambah jika tubuh Anda terbumikan atau dibumikan.
3. **Jangan membiarkan mesin listrik kejuanan atau kebasahan.** Air yang masuk ke dalam mesin listrik akan meningkatkan risiko sengatan listrik.
4. **Jangan menyalahgunakan kabel. Jangan sekali-kali menggunakan kabel untuk membawa, menarik, atau mencabut mesin listrik dari stopkontak.** Jauhkan kabel dari panas, minyak, tepian tajam, atau bagian yang bergerak. Kabel yang rusak atau kusut memperbesar risiko sengatan listrik.
5. **Bila menggunakan mesin listrik di luar ruangan, gunakan kabel ekstensi yang sesuai untuk penggunaan di luar ruangan.** Penggunaan kabel yang sesuai untuk penggunaan luar ruangan mengurangi risiko sengatan listrik.
6. **Jika mengoperasikan mesin listrik di lokasi lembap tidak terhindarkan, gunakan pasokan daya yang dilindungi peranti imbasan arus (residual current device - RCD).** Penggunaan RCD mengurangi risiko sengatan listrik.
7. **Mesin listrik dapat menghasilkan medan magnet (EMF) yang tidak berbahaya bagi pengguna.** Namun, pengguna alat pacu jantung atau peralatan medis sejenisnya harus berkonsultasi dengan produsen peralatan tersebut dan/atau dokter mereka sebelum mengoperasikan mesin listrik ini.

Keselamatan Diri

1. **Jaga kewaspadaan, perhatikan pekerjaan Anda dan gunakan akal sehat bila menggunakan mesin listrik.** Menggunakan mesin listrik saat Anda lelah atau di bawah pengaruh obat bius, alkohol, atau obat. Sekejap saja lalai saat menggunakan mesin listrik dapat menyebabkan cedera badan serius.
2. **Gunakan alat pelindung diri. Selalu gunakan pelindung mata.** Peralatan pelindung seperti masker debu, sepatu pengaman anti-selip, helm pengaman, atau pelindung telinga yang digunakan untuk kondisi yang sesuai akan mengurangi risiko cedera badan.
3. **Cegah penyalan yang tidak disengaja. Pastikan bahwa sakelar berada dalam posisi mati (off) sebelum menghubungkan mesin ke sumber daya dan/atau paket baterai, atau mengangkat atau membawanya.** Membawa mesin listrik dengan jari Anda pada sakelarnya atau mengalirkan listrik pada mesin listrik yang sakelarnya hidup (on) akan mengundang kecelakaan.
4. **Lepaskan kunci-kunci penyetel sebelum menghidupkan mesin listrik.** Kunci-kunci yang masih terpasang pada bagian mesin listrik yang berputar dapat menyebabkan cedera.
5. **Jangan meraih terlalu jauh. Jagalah pijakan dan keseimbangan sepanjang waktu.** Hal ini memungkinkan kendali yang lebih baik atas mesin listrik dalam situasi yang tidak diharapkan.
6. **Kenakan pakaian yang memadai. Jangan memakai pakaian yang longgar atau perhiasan. Jaga jarak**

antara rambut dan pakaian Anda dengan komponen mesin yang bergerak. Pakaian yang longgar, perhiasan, atau rambut yang panjang dapat tersangkut pada komponen yang bergerak.

7. **Jika tersedia fasilitas untuk menghisap dan mengumpulkan debu, pastikan fasilitas tersebut terhubung listrik dan digunakan dengan baik.** Penggunaan pembersih debu dapat mengurangi bahaya yang terkait dengan debu.
8. **Jangan sampai Anda lengah dan mengabaikan prinsip keselamatan mesin ini hanya karena sudah sering mengoperasikannya dan sudah merasa terbiasa.** Tindakan yang lalai dapat menyebabkan cedera berat dalam sepersekitan detik saja.
9. **Selalu kenakanacamata pelindung untuk melindungi mata dari cedera saat menggunakan mesin listrik. Kacamata harus sesuai dengan ANSI Z87.1 di Amerika Serikat, EN 166 di Eropa, atau AS/NZS 1336 di Australia/Selandia Baru. Di Australia/Selandia Baru, secara hukum Anda juga diwajibkan mengenakan pelindung wajah untuk melindungi wajah Anda.**



Menjadi tanggung jawab atasannya untuk menerapkan penggunaan alat pelindung keselamatan yang tepat bagi operator mesin dan orang lain yang berada di area kerja saat itu.

Penggunaan dan pemeliharaan mesin listrik

1. **Jangan memaksa mesin listrik. Gunakan mesin listrik yang tepat untuk keperluan Anda.** Mesin listrik yang tepat akan menuntaskan pekerjaan dengan lebih baik dan aman pada kecepatan sesuai rancangannya.
2. **Jangan gunakan mesin listrik jika sakelar tidak dapat menyalakan dan mematikannya.** Mesin listrik yang tidak dapat dikendalikan dengan sakelarnya adalah berbahaya dan harus diperbaiki.
3. **Cabut steker dari sumber listrik dan/atau lepas paket baterai, jika dapat dilepas, dari mesin listrik sebelum melakukan penyetelan apa pun, mengganti aksesori, atau menyimpan mesin listrik.** Langkah keselamatan preventif tersebut mengurangi risiko hidupnya mesin secara tak sengaja.
4. **Simpan mesin listrik jauh dari jangkauan anak-anak dan jangan biarkan orang yang tidak paham mengenai mesin listrik tersebut atau petunjuk ini menggunakan mesin listrik.** Mesin listrik sangat berbahaya di tangan pengguna yang tak terlatih.

5. **Rawatlah mesin listrik dan aksesorinya. Periksa apakah ada komponen bergerak yang tidak lurus atau macet, komponen yang pecah, dan kondisi-kondisi lain yang dapat memengaruhi pengoperasian mesin listrik. Jika rusak, perbaiki mesin listrik terlebih dahulu sebelum digunakan.** Banyak kecelakaan disebabkan oleh kurangnya pemeliharaan mesin listrik.
6. **Jaga agar mesin pemotong tetap tajam dan bersih.** Mesin pemotong yang terawat baik dengan mata pemotong yang tajam tidak mudah macet dan lebih mudah dikendalikan.
7. **Gunakan mesin listrik, aksesorinya, dan mata mesin, dll. sesuai dengan petunjuk ini, dengan memperhitungkan kondisi kerja dan jenis pekerjaan yang dilakukan.** Penggunaan mesin listrik untuk penggunaan yang lain dari peruntukan dapat menimbulkan situasi berbahaya.
8. **Jagalah agar gagang dan permukaan pegangan tetap kering, bersih, dan bebas dari minyak dan pelumas.** Gagang dan permukaan pegangan yang licin tidak mendukung keamanan penanganan dan pengendalian mesin dalam situasi-situasi tak terduga.
9. **Ketika menggunakan mesin, jangan menggunakan sarung tangan kain yang dapat tersangkut.** Sarung tangan kain yang tersangkut pada komponen bergerak dapat mengakibatkan cedera pada pengguna.

Penggunaan dan pemeliharaan mesin bertena- gaga baterai

1. **Isi ulang baterai hanya dengan pengisi daya yang ditentukan oleh pabrikan.** Pengisi daya yang cocok untuk satu jenis paket baterai dapat menimbulkan risiko kebakaran ketika digunakan untuk paket baterai yang lain.
2. **Gunakan mesin listrik hanya dengan paket baterai yang telah ditentukan secara khusus.** Penggunaan paket baterai lain dapat menimbulkan risiko cedera dan kebakaran.
3. **Ketika paket baterai tidak digunakan, jauhkan dari benda logam lain, seperti penjepit kertas, uang logam, kunci, paku, sekrup atau benda logam kecil lainnya, yang dapat menghubungkan satu terminal ke terminal lain.** Hubungan singkat terminal baterai dapat menyebabkan luka bakar atau kebakaran.
4. **Pemakaian yang salah, dapat menyebabkan keluarnya cairan dari baterai; hindari kontak. Jika terjadi kontak secara tidak sengaja, bilas dengan air. Jika cairan mengenai mata, cari bantuan medis.** Cairan yang keluar dari baterai bisa menyebabkan iritasi atau luka bakar.
5. **Jangan menggunakan paket baterai atau mesin yang sudah rusak atau telah diubah.** Baterai yang rusak atau telah diubah dapat menyebabkan hal-hal yang tidak dapat diprediksi yang dapat menyebabkan kebakaran, ledakan atau risiko cedera.
6. **Jangan membiarkan paket baterai atau mesin dekat dengan api atau suhu yang berlebihan.** Paparan api atau suhu di atas 130 °C dapat menyebabkan ledakan.
7. **Ikuti semua petunjuk pengisian daya dan jangan mengisi daya paket baterai atau mesin di luar rentang suhu yang ditentukan di panduan.** Mengisi

daya secara tidak tepat atau pada suhu di luar rentang yang ditentukan dapat merusak baterai dan meningkatkan risiko kebakaran.

Servis

1. **Berikan mesin listrik untuk diperbaiki hanya kepada orang teknisi yang berkualifikasi dengan menggunakan hanya suku cadang pengganti yang serupa.** Hal ini akan menjamin terjaminnya keamanan mesin listrik.
2. **Jangan pernah memperbaiki paket baterai yang sudah rusak.** Perbaikan paket baterai harus dilakukan hanya oleh produsen atau penyedia servis resmi.
3. **Patuhi petunjuk pelumasan dan penggantian aksesorinya.**

GEB137-1

Peringatan keselamatan obeng ketok listrik tanpa kabel

1. **Pegang mesin listrik pada permukaan genggam yang terisolasi saat melakukan pekerjaan bila pengencang mungkin bersentuhan dengan kawat tersembunyi.** Pengencang yang menyentuh kawat "hidup" dapat menyebabkan bagian logam pada mesin teraliri arus listrik dan menyengat pengguna.
2. **Selalu pastikan Anda memiliki pijakan kuat.** Pastikan tidak ada orang di bawah Anda ketika menggunakan mesin di lokasi tinggi.
3. **Pegang mesin kuat-kuat.**
4. **Kenakan pelindung telinga.**
5. **Jangan menyentuh mata mesin atau benda kerja segera setelah pengoperasian.** Suhunya mungkin masih sangat panas dan dapat membakar kulit Anda.
6. **Jauhkan tangan dari bagian yang berputar.**
7. **Gunakan gagang tambahan, jika disertakan bersama mesin ini.** Kehilangan kendali dapat menyebabkan cedera.
8. **Pegang mesin listrik pada permukaan genggam yang terisolasi saat melakukan pekerjaan bila aksesorinya pemotong mungkin bersentuhan dengan kawat tersembunyi.** Aksesorinya pemotong yang menyentuh kawat "hidup" dapat menyebabkan bagian logam pada mesin teraliri arus listrik dan menyengat pengguna.

SIMPAN PETUNJUK INI.

⚠ PERINGATAN:
JANGAN biarkan kenyamanan atau terbiasanya Anda dengan produk (karena penggunaan berulang) mengurangi kepatuhan yang ketat terhadap aturan keselamatan untuk produk yang terkait.
PENYALAHGUNAAN atau kelalaian mematuhi kaidah keselamatan yang tertera dalam petunjuk ini dapat menyebabkan cedera badan serius.

Petunjuk keselamatan penting untuk kartrid baterai

1. Sebelum menggunakan kartrid baterai, bacalah semua petunjuk dan penandaan pada (1) pengisi daya baterai, (2) baterai, dan (3) produk yang menggunakan baterai.
2. Jangan membongkar kartrid baterai.
3. Jika waktu beroperasinya menjadi sangat singkat, segera hentikan penggunaan. Hal tersebut dapat menimbulkan risiko panas berlebih, kemungkinan mengalami luka bakar atau bahkan terjadi ledakan.
4. Jika elektrolit mengenai mata Anda, basuh dengan air bersih dan segera cari pertolongan medis. Hal tersebut dapat mengakibatkan hilangnya kemampuan penglihatan Anda.
5. Jangan menghubungkan terminal kartrid baterai:
 - (1) Jangan menyentuh terminal dengan bahan penghantar listrik apa pun.
 - (2) Hindari menyimpan kartrid baterai pada wadah yang berisi benda logam lain seperti paku, uang logam, dsb.
 - (3) Jangan membiarkan baterai terkena air atau kehujanan.

Hubungan singkat baterai dapat menyebabkan aliran arus listrik yang besar, panas berlebih, kemungkinan mengalami luka bakar dan bahkan kerusakan pada baterai.

6. Jangan menyimpan mesin dan kartrid baterai pada lokasi dengan suhu yang bisa mencapai atau melebihi 50 °C.
7. Jangan membuang kartrid baterai di tempat pembakaran sampah walaupun benar-benar rusak atau tidak bisa digunakan sama sekali. Kartrid baterai bisa meledak jika terbakar.
8. Berhati-hatilah jangan sampai baterai jatuh atau terbentur.
9. Jangan menggunakan baterai yang rusak.
10. **Baterai litium-ion yang disertakan sesuai dengan persyaratan Perundangan Makanan Berbahaya.** Harus ada pengawasan untuk pengangkutan komersial misalnya oleh pihak ketiga, ekspeditor, persyaratan khusus terhadap pengemasan dan pelabelan.
Diperlukan adanya konsultasi dengan ahli mengenai material berbahaya untuk persiapan barang yang akan dikirimkan. Perhatikan pula peraturan nasional yang lebih terperinci yang mungkin ada.
Beri perekat atau tutupi bagian yang terbuka dan kemasi baterai dengan cara yang tidak akan menimbulkan geseran dalam pengemasan.
11. **Patuhi peraturan setempat yang berkaitan dengan pembuangan baterai.**
12. **Gunakan baterai hanya dengan produk yang ditentukan oleh Makita.** Memasak baterai pada produk yang tidak sesuai dapat menyebabkan kebakaran, kelebihan panas, ledakan, atau kebocoran elektrolit.

SIMPAN PETUNJUK INI.

⚠ PERHATIAN:

- **Gunakan baterai asli Makita.** Penggunaan baterai Makita yang tidak asli, atau baterai yang sudah diubah, akan mengakibatkan baterai mudah terbakar, cedera dan kerusakan. Akan menghilangkan garansi Makita pada pengisi daya dan alat Makita.

Tip untuk menjaga agar umur pemakaian baterai maksimum

1. **Isi ulang kartrid baterai sebelum habis sama sekali.** Selalu hentikan penggunaan mesin dan ganti kartrid baterai jika Anda melihat bahwa mesin kurang tenaga.
2. **Jangan pernah mengisi ulang kartrid baterai yang sudah diisi penuh.** Pengisian ulang yang berlebih memperpendek umur pemakaian baterai.
3. **Isi ulang kartrid baterai pada suhu ruangan 10 °C - 40 °C.** Biarkan kartrid baterai yang panas menjadi dingin terlebih dahulu sebelum diisi ulang.

DESKRIPSI FUNGSI

⚠ PERHATIAN:

- Selalu pastikan bahwa mesin dimatikan dan baterai dilepas sebelum menyatel atau memeriksa kerja mesin.

Memasang atau melepas baterai (Gb. 1)

⚠ PERHATIAN:

- Selalu matikan mesin sebelum memasang atau melepas kartrid baterai.
- **Pegang mesin dan kartrid baterai kuat-kuat saat memasang atau melepas kartrid baterai.** Kelalaian untuk memegang mesin dan kartrid baterai kuat-kuat bisa menyebabkan keduanya tergelincir dari tangan Anda dan mengakibatkan kerusakan pada mesin dan kartrid baterai serta cedera diri.

Untuk melepas kartrid baterai, tarik dari mesin sambil menekan tombol pada kedua sisi kartrid.
Untuk memasang kartrid baterai, tahan sampai bagian depan kartrid baterai sesuai dengan bukaan pemasangan baterai lalu masukkan ke dalam tempatnya. Masukkan seluruhnya sampai terkunci pada tempatnya dan terdengar bunyi klik kecil.

⚠ PERHATIAN:

- Selalu masukkan kartrid baterai seluruhnya sampai terkunci pada tempatnya dan terdengar bunyi klik kecil. Jika tidak, bisa terlepas dari mesin secara tidak sengaja, menyebabkan luka pada Anda atau orang di sekitar Anda.
- Jangan memasang kartrid baterai secara paksa. Jika kartrid tidak bergeser dengan mudah, berarti tidak dimasukkan dengan benar.

Sistem perlindungan baterai

Mesin ini dilengkapi dengan sistem perlindungan baterai. Sistem ini memutuskan daya ke motor secara otomatis untuk memperpanjang umur pemakaian baterai. Mesin akan berhenti saat penggunaan saat mesin dan/ atau baterai berada dalam salah satu kondisi berikut ini:

- Kelebihan beban:

Mesin dijalankan dengan cara yang menyebabkannya menarik arus tinggi yang tidak normal.

Untuk situasi ini, lepas picu saklar pada mesin dan hentikan penggunaan yang menyebabkan mesin mengalami kelebihan beban. Kemudian tarik lagi picu saklarnya untuk mengoperasikannya kembali.

- Tegangan baterai rendah:

Kapasitas baterai yang tersisa terlalu rendah dan mesin tidak akan beroperasi. Jika Anda menarik picu saklar, motor menyala lagi tetapi segera berhenti. Untuk situasi ini, lepas dan isi ulang baterai.

KERJA saklar (Gb. 2)

⚠ PERHATIAN:

- Sebelum memasukkan baterai pada mesin, pastikan picu saklar berfungsi dengan baik dan kembali ke posisi "OFF" saat dilepas.

Untuk menjalankan mesin, cukup tarik picu saklarnya. Kecepatan mesin akan meningkat dengan menambah tekanan pada picu saklar. Lepaskan picu saklar untuk berhenti.

Menyalakan lampu depan (Gb. 3)

⚠ PERHATIAN:

- Jangan melihat lampu atau sumber cahaya secara langsung.

Tarik picu saklar untuk menyalakan lampu. Lampu tetap menyala selama picu saklar ditarik. Lampu akan padam sekitar 10 - 15 detik setelah melepas picu.

CATATAN:

- Gunakan kain kering untuk mengelap kotoran dari lensa lampu. Hati-hati jangan sampai menggores lensa lampu, atau hal tersebut dapat menurunkan tingkat penerangannya.

Kerja saklar pembalik arah (Gb. 4)

Mesin ini memiliki saklar pembalik arah untuk mengubah arah putaran. Tekan tuas saklar pembalik arah dari sisi A untuk putaran searah jarum jam atau dari sisi B untuk putaran berlawanan arah jarum jam.

Ketika tuas saklar pembalik arah pada posisi netral, picu saklar tidak bisa ditarik.

⚠ PERHATIAN:

- Selalu periksa arah putaran sebelum penggunaan.
- Gunakan saklar pembalik arah hanya setelah mesin berhenti penuh. Mengubah arah putaran sebelum mesin berhenti dapat merusak mesin.
- Saat mesin tidak digunakan, selalu posisikan tuas saklar pembalik arah pada posisi netral.

PERAKITAN

⚠ PERHATIAN:

- Selalu pastikan bahwa mesin dimatikan dan baterai dilepas sebelum melakukan pekerjaan apapun pada mesin.

Memasang atau melepas mata obeng atau mata soket (Gb. 5)

Gunakan hanya mata mesin yang memiliki ujung pengecaman seperti ditunjukkan pada gambar.

A = 17 mm B = 14 mm	Untuk memasang mata mesin dengan jenis ini, ikuti prosedur (1). (Catatan) Mata mesin Makita merupakan jenis ini.
A = 12 mm B = 9 mm	Untuk memasang mata mesin dengan jenis ini, ikuti prosedur (2). (Catatan) Diperlukan ganjal mata mesin untuk memasang mata mesin tersebut.

006349

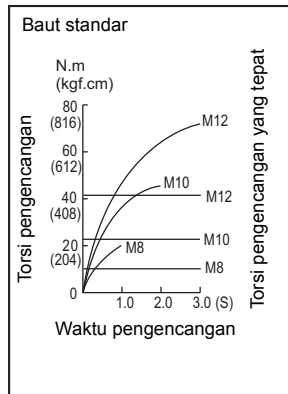
1. Untuk memasang mata mesin, tarik selongsong sesuai arah panah dan masukkan mata mesin ke dalam selongsong sejauh mungkin. Kemudian lepaskan selongsong untuk mengencangkan mata mesin. (Gb. 6)
 2. Untuk memasang mata mesin, tarik selongsong sesuai arah panah dan masukkan ganjal mata mesin dan mata mesin ke dalam selongsong sejauh mungkin. Ganjal mata mesin harus dimasukkan ke dalam selongsong dengan ujung lancipnya menghadap ke dalam. Kemudian lepas selongsong untuk mengencangkan mata mesin. (Gb. 7)
- Untuk melepas mata mesin, tarik selongsong sesuai arah panah dan cabut mata mesin kuat-kuat.

CATATAN:

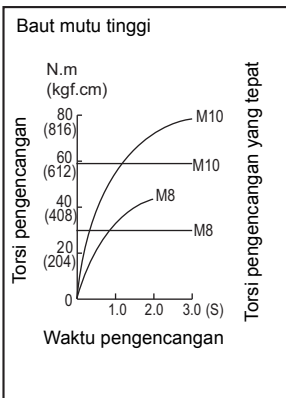
- Jika mata mesin tidak dimasukkan penuh ke dalam selongsong, selongsong tidak akan kembali pada posisi semula dan mata mesin tidak terpasang. Untuk kasus ini, coba masukkan kembali mata mesin sesuai dengan petunjuk di atas.

PENGGUNAAN (Gb. 8)

Torsi pengencangan yang tepat bisa berbeda tergantung pada macam atau ukuran sekrup/baut, bahan benda kerja yang akan dikencangkan, dsb. Hubungan antara torsi pengencangan dan waktu pengencangan ditunjukkan pada gambar.



008823



008825

Pegang mesin kuat-kuat dan posisikan ujung mata obeng pada kepala sekrup. Tekan maju mesin sampai titik di mana mata obeng tidak tergelincir dan nyalakan mesin untuk memulai penggunaan.

CATATAN:

- Gunakan mata mesin yang sesuai untuk kepala sekrup/baut yang ingin Anda gunakan.
- Ketika mengencangkan sekrop M8 atau yang lebih kecil, sesuaikan tekanan pada picu saklar dengan seksama sehingga tidak merusak sekrop.
- Tahan mesin pada posisi tegak lurus terhadap sekrop
- Jika Anda mengencangkan sekrop untuk waktu yang lebih lama dari yang ditunjukkan pada gambar, sekrop atau ujung mata obeng bisa mengalami kelebihan tekanan, terlepas, rusak, dsb. Sebelum memulai pekerjaan Anda, selalu lakukan uji-coba untuk menentukan waktu yang sesuai bagi sekrop Anda.

Torsi pengencangan dipengaruhi oleh berbagai macam faktor termasuk hal-hal berikut ini. Setelah pengencangan, selalu periksa torsi dengan kunci torsi.

1. Ketika baterai hampir benar-benar habis, tegangan akan turun dan torsi pengencangan akan berkurang.
2. Mata obeng atau mata soket
Kesalahan penggunaan mata obeng atau mata soket dengan ukuran yang tepat akan menyebabkan penurunan torsi pengencangan.
3. Baut
 - Walaupun koefisien torsi dan kelas bautnya sama, torsi pengencangan yang tepat akan berbeda sesuai dengan diameter baut.
 - Walaupun diameter bautnya sama, torsi pengencangan yang tepat akan berbeda sesuai dengan koefisien torsi, kelas baut dan panjang baut.
4. Sikap ketika memegang mesin atau posisi bahan yang akan dipasang sekrop akan mempengaruhi torsi.
5. Menggunakan mesin pada kecepatan rendah akan menyebabkan penurunan torsi pengencangan.

Menggunakan sarung

⚠ PERHATIAN:

- Jangan digunakan pada mesin seperti mesin bor dengan kondisi mata mesin masih terpasang di dalamnya.

- Matikan mesin dan tunggu sampai berhenti penuh sebelum memasukkannya ke dalam sarung. Pastikan untuk menutup sarung sehingga bisa menahan mesin dengan kuat.

Pasang pada ikat pinggang atau sejenisnya lewat pemegang sarung. **(Gb. 9)**

Masukkan mesin ke dalam sarung dan kunci dengan kancing sarung. **(Gb. 10)**

Dua mata mesin bisa disimpan di bagian depan sarung. **(Gb. 11)**

PERAWATAN

⚠ PERHATIAN:

- Selalu pastikan bahwa mesin dimatikan dan baterai dilepas sebelum melakukan pemeriksaan atau perawatan.
- Jangan sekali-kali menggunakan bensin, tiner, alkohol, atau bahan sejenisnya. Penggunaan bahan demikian dapat menyebabkan perubahan warna, perubahan bentuk atau timbulnya retakan.

Untuk menjaga KEAMANAN dan KEANDALAN mesin, perbaikan, perawatan atau penyetulan lain harus dilakukan oleh Pusat Layanan Resmi Makita; selalu gunakan suku cadang pengganti buatan Makita.

PILIHAN AKSESORI

⚠ PERHATIAN:

- Dianjurkan untuk menggunakan aksesori atau perangkat tambahan ini dengan mesin Makita Anda yang ditentukan dalam petunjuk ini. Penggunaan aksesori atau perangkat tambahan lain bisa menyebabkan risiko cedera pada manusia. Hanya gunakan aksesori atau perangkat tambahan sesuai dengan peruntukannya.

Jika Anda memerlukan bantuan lebih rinci berkenaan dengan aksesori ini, tanyakan pada Pusat Layanan Makita terdekat.

- Mata sekrop
- Mata soket
- Ganjal mata mesin
- Sarung
- Tas jinjing plastik
- Baterai dan pengisi daya asli buatan Makita

CATATAN:

- Beberapa item dalam daftar tersebut mungkin sudah termasuk dalam paket mesin sebagai aksesori standar. Hal tersebut dapat berbeda dari satu negara ke negara lainnya.

TIẾNG VIỆT

Giải thích về hình vẽ tổng thể

- | | | |
|---------------------------|---------------------------|----------------------|
| 1. Nút | 4. Đền | 7. Trụ ngoài |
| 2. Hộp pin | 5. Cần công tắc đảo chiều | 8. Miếng đệm đầu mũi |
| 3. Cần khởi động công tắc | 6. Mũi vít | |

THÔNG SỐ KỸ THUẬT

Kiểu		TD090D
Công suất	Vít máy	4 mm - 8 mm
	Bulong thường	5 mm - 14 mm
	Bulong cường độ cao	5 mm - 10 mm
Tốc độ không tải (phút ⁻¹)		0 - 2.400
Số lần vận mỗi phút		0 - 3.000
Chiều dài tổng thể		155 mm
Khối lượng tịnh		0,92 kg
Hiệu điện thế định mức		D.C. 10,8 V

- Do chương trình nghiên cứu và phát triển liên tục của chúng tôi nên các thông số kỹ thuật trong đây có thể thay đổi mà không cần thông báo trước.
- Các thông số kỹ thuật có thể thay đổi tùy theo từng quốc gia.
- Khối lượng kèm theo hộp pin theo Quy trình EPTA 01/2014

Hộp pin và sạc pin có thể áp dụng

Hộp pin	BL1013
Bộ sạc	DC10WA

- Một số hộp pin và sạc pin được nêu trong danh sách ở trên có thể không khả dụng tùy thuộc vào khu vực cư trú của bạn.

⚠ CẢNH BÁO:

- **Chỉ sử dụng hộp pin và sạc pin được nêu trong danh sách ở trên.** Việc sử dụng bất cứ hộp pin và sạc pin nào khác có thể gây ra thương tích và/hoặc hỏa hoạn.

END004-6

Ký hiệu

Phần dưới đây cho biết các ký hiệu được dùng cho thiết bị. Đảm bảo rằng bạn hiểu rõ ý nghĩa của các ký hiệu này trước khi sử dụng.



..... Đọc tài liệu hướng dẫn.

ENE033-1

Mục đích sử dụng

Dụng cụ này dùng để bắt vít vào gỗ, kim loại và nhựa.

GEA013-2

Cảnh báo An toàn Chung dành cho Dụng cụ Máy

⚠ CẢNH BÁO: Xin đọc tất cả các cảnh báo an toàn, hướng dẫn, minh họa và thông số kỹ thuật đi kèm với dụng cụ máy này. Việc không tuân theo các hướng dẫn được liệt kê dưới đây có thể dẫn đến điện giật, hỏa hoạn và/hoặc thương tích nghiêm trọng.

Lưu giữ tất cả cảnh báo và hướng dẫn để tham khảo sau này.

Thuật ngữ “dụng cụ máy” trong các cảnh báo đề cập đến dụng cụ máy (có dây) được vận hành bằng nguồn điện chính hoặc dụng cụ máy (không dây) được vận hành bằng pin của bạn.

An toàn tại nơi làm việc

1. **Giữ nơi làm việc sạch sẽ và có đủ ánh sáng.** Nơi làm việc bừa bộn hoặc tối thường dễ gây ra tai nạn.
2. **Không vận hành dụng cụ máy trong môi trường cháy nổ, ví dụ như môi trường có sự hiện diện của các chất lỏng, khí hoặc bụi dễ cháy.** Các dụng cụ máy tạo tia lửa điện có thể làm bụi hoặc khí bốc cháy.
3. **Giữ trẻ em và người ngoài tránh xa nơi làm việc khi đang vận hành dụng cụ máy.** Sự xao lãng có thể khiến bạn mất khả năng kiểm soát.

An toàn về Điện

1. **Phích cắm của dụng cụ máy phải khớp với ổ cắm. Không được sửa đổi phích cắm theo bất kỳ cách nào. Không sử dụng bất kỳ phích chuyển đổi nào với các dụng cụ máy được nối đất (tiếp đất).** Các phích cắm còn nguyên vẹn và ổ cắm phù hợp sẽ giảm nguy cơ điện giật.

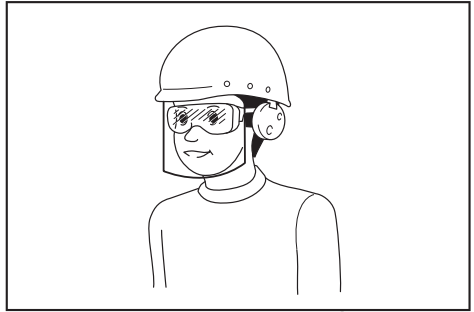
2. **Tránh để cơ thể tiếp xúc với các bề mặt nóng đất hoặc tiếp đất như đường ống, bộ tản nhiệt, bếp ga và tủ lạnh.** Nguy cơ bị điện giật sẽ tăng lên nếu cơ thể bạn được nối đất hoặc tiếp đất.
3. **Không để dụng cụ máy tiếp xúc với mưa hoặc trong điều kiện ẩm ướt.** Nước lọt vào dụng cụ máy sẽ làm tăng nguy cơ điện giật.
4. **Không lạm dụng dây điện.** Không được phép sử dụng dây để mang, kéo hoặc tháo phích cắm dụng cụ máy. Giữ dây tránh xa nguồn nhiệt, dầu, các mép sắc hoặc các bộ phận chuyển động. Dây bị hỏng hoặc bị rối sẽ làm tăng nguy cơ điện giật.
5. **Khi vận hành dụng cụ máy ngoài trời, hãy sử dụng dây kéo dài phù hợp cho việc sử dụng ngoài trời.** Việc dùng dây phù hợp cho việc sử dụng ngoài trời sẽ giảm nguy cơ điện giật.
6. **Nếu bắt buộc phải vận hành dụng cụ máy ở nơi ẩm ướt, hãy sử dụng nguồn cấp điện được bảo vệ bằng thiết bị ngắt dòng điện rò (RCD).** Việc sử dụng RCD sẽ làm giảm nguy cơ điện giật.
7. **Các dụng cụ máy có thể tạo ra từ trường điện (EMF) có hại cho người dùng.** Tuy nhiên, người dùng máy trợ tim và những thiết bị y tế tương tự khác nên liên hệ với nhà sản xuất thiết bị và/hoặc bác sỹ để được tư vấn trước khi vận hành dụng cụ này.

An toàn Cá nhân

1. **Luôn tỉnh táo, quan sát những việc bạn đang làm và sử dụng những phán đoán theo kinh nghiệm khi vận hành dụng cụ máy.** Không sử dụng dụng cụ máy khi bạn đang mệt mỏi hoặc chịu ảnh hưởng của ma túy, rượu hay thuốc. Chỉ một khoảnh khắc không tập trung khi đang vận hành dụng cụ máy cũng có thể dẫn đến thương tích cá nhân nghiêm trọng.
2. **Sử dụng thiết bị bảo hộ cá nhân.** Luôn đeo thiết bị bảo vệ mắt. Các thiết bị bảo hộ như mặt nạ chống bụi, giày an toàn chống trượt, mũ bảo hộ hay thiết bị bảo vệ thính giác được sử dụng trong các điều kiện thích hợp sẽ giúp giảm thương tích cá nhân.
3. **Tránh vô tình khởi động dụng cụ máy.** Đảm bảo công tắc ở vị trí off (tắt) trước khi nối nguồn điện và/hoặc bộ pin, cắm hoặc di chuyển dụng cụ máy. Việc di chuyển dụng cụ máy khi đang đặt ngón tay ở vị trí công tắc hoặc cấp điện cho dụng cụ máy đang bật thường dễ gây ra tai nạn.
4. **Tháo tất cả các khóa hoặc cờ lê điều chỉnh trước khi bật dụng cụ máy.** Việc cờ lê hoặc khóa vẫn còn gắn vào bộ phận quay của dụng cụ máy có thể dẫn đến thương tích cá nhân.
5. **Không vói quá cao.** Luôn giữ thăng bằng tốt và có chỗ để chân phù hợp. Điều này cho phép điều khiển dụng cụ máy tốt hơn trong những tình huống bất ngờ.
6. **Án mặc phù hợp.** Không mặc quần áo rộng hay đeo đồ trang sức. Giữ tóc và quần áo tránh xa các bộ phận chuyển động. Quần áo rộng, đồ trang sức hay tóc dài có thể mắc vào các bộ phận chuyển động.
7. **Nếu các thiết bị được cung cấp để kết nối các thiết bị thu gom và hút bụi, hãy đảm bảo chúng được kết nối và sử dụng hợp lý.** Việc sử dụng thiết bị thu gom bụi có thể làm giảm những mối nguy hiểm liên quan đến bụi.
8. **Không vì quen thuộc do thường xuyên sử dụng các dụng cụ mà cho phép bạn trở nên tự mãn và bỏ qua các nguyên tắc an toàn dụng cụ.** Một hành

động bất cẩn có thể gây ra thương tích nghiêm trọng trong một phần của một giây.

9. **Luôn luôn mang kính bảo hộ để bảo vệ mắt khỏi bị thương khi đang sử dụng các dụng cụ máy.** Kính bảo hộ phải tuân thủ ANSI Z87.1 ở Mỹ, EN 166 ở Châu Âu, hoặc AS/NZS 1336 ở Úc/New Zealand. Tại Úc/New Zealand, theo luật pháp, bạn cũng phải mang mặt nạ che mặt để bảo vệ mắt.



Trách nhiệm của chủ lao động là bắt buộc người vận hành dụng cụ và những người khác trong khu vực làm việc cạnh đó phải sử dụng các thiết bị bảo hộ an toàn thích hợp.

Sử dụng và bảo quản dụng cụ máy

1. **Không dùng lực đối với dụng cụ máy.** Sử dụng đúng dụng cụ máy cho công việc của bạn. Sử dụng đúng dụng cụ máy sẽ giúp thực hiện công việc tốt hơn và an toàn hơn theo giá trị định mức được thiết kế của dụng cụ máy đó.
2. **Không sử dụng dụng cụ máy nếu công tắc không bật và tắt được dụng cụ máy đó.** Mọi dụng cụ máy không thể điều khiển được bằng công tắc đều rất nguy hiểm và phải được sửa chữa.
3. **Rút phích cắm ra khỏi nguồn điện và/hoặc tháo kết nối bộ pin khỏi dụng cụ máy, nếu có thể tháo rời trước khi thực hiện bất kỳ công việc điều chỉnh, thay đổi phụ tùng hay cất giữ dụng cụ máy nào.** Những biện pháp an toàn phòng ngừa này sẽ giảm nguy cơ vô tình khởi động dụng cụ máy.
4. **Cất giữ các dụng cụ máy không sử dụng ngoài tầm với của trẻ em và không cho bất kỳ người nào không có hiểu biết về dụng cụ máy hoặc các hướng dẫn này vận hành dụng cụ máy.** Dụng cụ máy sẽ rất nguy hiểm nếu được sử dụng bởi những người dùng chưa qua đào tạo.
5. **Bảo dưỡng dụng cụ máy và các phụ kiện.** Kiểm tra tình trạng lịch trực hoặc bó kẹp của các bộ phận chuyển động, hiện tượng nứt vỡ của các bộ phận và mọi tình trạng khác mà có thể ảnh hưởng đến hoạt động của dụng cụ máy. Nếu có hỏng hóc, hãy sửa chữa dụng cụ máy trước khi sử dụng. Nhiều tai nạn xảy ra là do không bảo quản tốt dụng cụ máy.
6. **Luôn giữ cho dụng cụ cất được sạch sẽ và sạch sẽ.** Những dụng cụ cất được bảo quản tốt có mép cắt sắc sẽ ít bị kẹt hơn và dễ điều khiển hơn.
7. **Sử dụng dụng cụ máy, phụ tùng và đầu dụng cụ cất, v.v... theo các hướng dẫn này, có tính đến điều kiện làm việc và công việc được thực hiện.** Việc sử dụng dụng cụ máy cho các công việc khác với công việc dự định có thể gây nguy hiểm.

- Giữ tay cầm và bề mặt tay cầm khô, sạch, không dính dầu và mỡ. Tay cầm trơn trượt và bề mặt tay cầm không cho phép xử lý an toàn và kiểm soát dụng cụ trong các tình huống bất ngờ.
- Khi sử dụng dụng cụ, không được đi găng tay lao động bằng vải, có thể bị vướng. Việc găng tay lao động bằng vải vướng vào các bộ phận chuyển động có thể gây ra thương tích cá nhân.

Sử dụng và bảo quản dụng cụ dùng pin

- Chỉ sạc pin lại với bộ sạc do nhà sản xuất quy định. Bộ sạc phù hợp với một loại bộ pin này có thể gây ra nguy cơ hỏa hoạn khi được dùng cho một bộ pin khác.
- Chỉ sử dụng các dụng cụ máy với các bộ pin được quy định cụ thể. Việc sử dụng bất cứ bộ pin nào khác có thể gây ra thương tích và hỏa hoạn.
- Khi không sử dụng bộ pin, hãy giữ tránh xa các đồ vật khác bằng kim loại, chẳng hạn như kẹp giấy, tiền xu, chìa khóa, đinh, ốc vít hoặc các vật nhỏ bằng kim loại mà có thể làm nối tất các đầu cực pin. Các đầu cực pin bị đoản mạch có thể gây cháy hoặc hỏa hoạn.
- Trong điều kiện sử dụng quá mức, pin có thể bị chảy nước; hãy tránh tiếp xúc. Nếu vô tình tiếp xúc với pin bị chảy nước, hãy rửa sạch bằng nước. Nếu dung dịch từ pin tiếp xúc với mắt, cần đi khám bác sĩ thêm. Dung dịch chảy ra từ pin có thể gây rát da hoặc bỏng.
- Không sử dụng bộ pin hoặc dụng cụ bị hư hỏng hoặc đã bị sửa đổi. Pin đã bị hư hỏng hoặc đã bị sửa đổi có thể hành động theo cách không thể đoán trước dẫn đến cháy, nổ hoặc nguy cơ chấn thương.
- Không để bộ pin hoặc dụng cụ tiếp xúc với lửa hoặc nhiệt độ quá cao. Tiếp xúc với lửa hoặc nhiệt độ trên 130 °C có thể gây ra cháy nổ.
- Làm theo tất cả các hướng dẫn sạc pin và không được sạc bộ pin hoặc dụng cụ vượt giới hạn nhiệt độ quy định trong hướng dẫn. Sạc pin không đúng hoặc ở nhiệt độ vượt giới hạn nhiệt độ có thể gây hư hỏng cho pin và làm tăng nguy cơ cháy.

Bảo dưỡng

- Để nhân viên sửa chữa đủ trình độ bảo dưỡng dụng cụ máy của bạn và chỉ sử dụng các bộ phận thay thế đồng nhất. Việc này sẽ đảm bảo duy trì được độ an toàn của dụng cụ máy.
- Không bao giờ sử dụng bộ pin đã hỏng. Dịch vụ bảo hành bộ pin chỉ nên thực hiện bởi nhà sản xuất hoặc các nhà cung cấp dịch vụ được ủy quyền.
- Tuân theo hướng dẫn dành cho việc bôi trơn và thay phụ tùng.

GEB137-1

Các cảnh báo an toàn cho máy bắt vít chạy pin

- Cầm dụng cụ máy tại bề mặt kẹp cách điện khi thực hiện một thao tác trong đó bộ phận kẹp có thể tiếp xúc với dây dẫn điện kín bên dưới. Bộ phận kẹp tiếp xúc với dây dẫn “có điện” có thể khiến các bộ phận kim loại bị hở của dụng cụ máy “có điện” và làm cho người vận hành bị điện giật.
- Luôn chắc chắn rằng bạn có chỗ tựa chân vững chắc.

Đảm bảo rằng không có ai ở bên dưới khi sử dụng dụng cụ ở những vị trí trên cao.

- Cầm chắc dụng cụ.
- Đeo thiết bị bảo vệ tai.
- Không chạm vào mũi khoan hoặc phối gia công ngay sau khi vận hành. Chúng có thể rất nóng và có thể gây bỏng da.
- Giữ tay tránh xa các bộ phận quay.
- Sử dụng tay cầm (các tay cầm) phụ nếu được cung cấp kèm theo dụng cụ. Việc mất khả năng kiểm soát có thể dẫn đến thương tích cá nhân.
- Cầm dụng cụ máy tại bề mặt kẹp cách điện khi thực hiện một thao tác trong đó phụ kiện cắt có thể tiếp xúc với dây dẫn điện kín bên dưới. Phụ kiện cắt tiếp xúc với dây dẫn “có điện” có thể khiến các bộ phận kim loại bị hở của dụng cụ máy “có điện” và làm cho người vận hành bị điện giật.

LƯU GIỮ CÁC HƯỚNG DẪN NÀY.

⚠ CẢNH BÁO:

KHÔNG vì đã thoải mái hay quen thuộc với sản phẩm (có được do sử dụng nhiều lần) mà không tuân thủ nghiêm ngặt các quy định về an toàn dành cho sản phẩm này.

VIỆC DÙNG SAI hoặc không tuân theo các quy định về an toàn được nêu trong tài liệu hướng dẫn này có thể dẫn đến thương tích cá nhân nghiêm trọng.

ENC009-5

Hướng dẫn quan trọng về an toàn dành cho hộp pin

- Trước khi sử dụng hộp pin, hãy đọc kỹ tất cả các hướng dẫn và dấu hiệu cảnh báo trên (1) bộ sạc pin, (2) pin và (3) sản phẩm sử dụng pin.
- Không tháo rời hộp pin.
- Nếu thời gian vận hành ngắn hơn quá mức, hãy ngưng vận hành ngay lập tức. Điều này có thể dẫn đến rủi ro quá nhiệt, có thể gây bỏng và thậm chí là nổ.
- Nếu chất điện phân rơi vào mắt, hãy rửa sạch bằng nước sạch và đến cơ sở y tế ngay lập tức. Chất này có thể khiến bạn giảm thị lực.
- Không để hộp pin ở tình trạng đoản mạch:
 - Không chạm vào cực pin bằng vật liệu dẫn điện.
 - Tránh cất giữ hộp pin trong hộp có các vật kim loại khác như đinh, tiền xu, v.v...
 - Không được để hộp pin tiếp xúc với nước hoặc mưa.

Đoản mạch pin có thể gây ra dòng điện lớn, quá nhiệt, có thể gây bỏng và thậm chí là hỏng hóc.

- Không cất giữ dụng cụ và hộp pin ở nơi nhiệt độ có thể lên tới hoặc vượt quá 50°C.
- Không đốt hộp pin ngay cả khi hộp pin đã bị hư hại nặng hoặc hư hỏng hoàn toàn. Hộp pin có thể nổ khi tiếp xúc với lửa.
- Hãy cẩn trọng không làm rơi hoặc làm méo pin.
- Không sử dụng pin đã hỏng.

10. Pin nén lithium-ion là đối tượng có yêu cầu bắt buộc theo Luật Hàng hoá Nguy hiểm.

Đối với vận tải thương mại, ví dụ như vận tải do bên thứ ba, đại lý giao nhận, thì yêu cầu đặc biệt về đóng gói và nhãn ghi phải được giám sát.

Để chuẩn bị cho mặt hàng cần vận chuyển, cần phải tham khảo ý kiến chuyên gia về vật liệu nguy hiểm. Nếu được, vui lòng tuân thủ các quy định quốc gia chi tiết hơn.

Buộc hoặc niêm phong các tiếp điểm mở và đóng gói pin theo cách đó để nó không thể di chuyển trong bao bì.

11. Tuân theo các quy định của địa phương liên quan đến việc tải bộ pin.

12. Chỉ sử dụng pin cho các sản phẩm Makita chỉ định. Lắp pin vào sản phẩm không thích hợp có thể gây ra hoả hoạn, quá nhiệt, nổ, hoặc rò chất điện phân.

khỏi dụng cụ, gây thương tích cho bạn hoặc người khác xung quanh.

- Không được dùng sức lắp hộp pin. Nếu hộp pin không nhẹ nhàng trượt vào vị trí, có nghĩa là pin vẫn chưa được lắp đúng.

Hệ thống bảo vệ pin

Dụng cụ này được trang bị hệ thống bảo vệ pin. Hệ thống này sẽ tự động ngắt nguồn điện đến động cơ để kéo dài tuổi thọ pin.

Dụng cụ sẽ tự động dừng vận hành khi dụng cụ và/hoặc pin ở một trong những tình huống sau đây:

- Quá tải:
Dụng cụ được vận hành theo cách gây ra dòng điện cao bất thường.
Trong trường hợp này, hãy nhả cần khởi động công tắc trên dụng cụ và ngừng việc sử dụng đã làm cho dụng cụ trở nên quá tải. Sau đó kéo cần khởi động công tắc một lần nữa để khởi động lại dụng cụ.
- Điện thế pin thấp:
Dung lượng pin còn lại quá thấp và dụng cụ sẽ không khởi động. Nếu bạn kéo cần khởi động công tắc, motor sẽ tiếp tục chạy nhưng sẽ sớm ngừng lại. Trong tình huống này, hãy tháo và sạc pin lại.

Hoạt động công tắc (Hình 2)

⚠ CẢN TRỌNG:

- Trước khi lắp hộp pin vào dụng cụ, luôn luôn kiểm tra xem cần khởi động công tắc có hoạt động bình thường hay không và trả về vị trí "OFF" (TẮT) khi nhả ra. Để khởi động dụng cụ, chỉ cần kéo cần khởi động công tắc. Tốc độ dụng cụ được giảm xuống bằng cách tăng lực ép lên cần khởi động công tắc. Nhả cần khởi động công tắc ra để dừng.

Bật đèn trước (Hình 3)

⚠ CẢN TRỌNG:

- Đừng nhìn thẳng trực tiếp vào đèn hoặc nguồn sáng. Kéo cần khởi động công tắc để bật sáng đèn. Đèn sẽ vẫn sáng trong lúc cần khởi động công tắc đang được kéo. Sau khi nhả cần 10 - 15 giây thì đèn sẽ tắt.

LƯU Ý:

- Dùng vải khô để lau bụi bẩn trên kính đèn. Cần thận trọng không được làm xước kính đèn, nếu không đèn có thể bị giảm độ sáng.

Hoạt động công tắc đảo chiều (Hình 4)

Dụng cụ này có một công tắc đảo chiều để thay đổi chiều xoay. Nhấn nút công tắc đảo chiều từ mặt A để xoay theo chiều kim đồng hồ hoặc từ mặt B để xoay ngược chiều kim đồng hồ.

Khi nút công tắc đảo chiều ở vị trí chính giữa, không thể kéo cần khởi động công tắc được.

⚠ CẢN TRỌNG:

- Luôn luôn kiểm tra hướng xoay trước khi vận hành.
- Chỉ sử dụng công tắc đảo chiều sau khi dụng cụ đã dừng hoàn toàn. Việc thay đổi hướng xoay trước khi dụng cụ dừng có thể làm hỏng dụng cụ.
- Khi vận hành dụng cụ, luôn đặt nút công tắc đảo chiều ở vị trí chính giữa.

LƯU GIỮ CÁC HƯỚNG DẪN NÀY.

⚠ CẢN TRỌNG:

- Chỉ sử dụng pin Makita chính hãng. Việc sử dụng pin không chính hãng Makita, hoặc pin đã được sửa đổi, có thể dẫn đến nổ pin gây ra cháy, thương tích và thiệt hại cá nhân. Nó cũng sẽ làm mất hiệu lực bảo hành của Makita dành cho dụng cụ của Makita và bộ sạc.

Mẹo duy trì tuổi thọ tối đa cho pin

1. Sạc hộp pin trước khi pin bị xả điện hoàn toàn. Luôn dừng việc vận hành dụng cụ và sạc pin khi bạn nhận thấy công suất dụng cụ bị giảm.
2. Không được phép sạc lại một hộp pin đã được sạc đầy. Sạc quá mức sẽ làm giảm tuổi thọ của pin.
3. Sạc pin ở nhiệt độ phòng 10°C - 40°C. Để cho hộp pin nóng nguội lại dần trước khi sạc pin.

MÔ TẢ CHỨC NĂNG

⚠ CẢN TRỌNG:

- Luôn đảm bảo rằng đã tắt dụng cụ và tháo hộp pin ra trước khi thực hiện việc điều chỉnh hoặc kiểm tra chức năng trên dụng cụ.

Lắp hoặc tháo gỡ hộp pin (Hình 1)

⚠ CẢN TRỌNG:

- Luôn tắt dụng cụ trước khi lắp hoặc tháo hộp pin.
- Giữ dụng cụ và hộp pin thật chắc khi lắp đặt hoặc tháo gỡ hộp pin. Không nắm chắc dụng cụ và hộp pin có thể làm trượt chúng khỏi tay và gây ra hư hỏng dụng cụ và hộp pin hoặc gây thương tích cá nhân.

Để tháo hộp pin, hãy rút nó ra khỏi dụng cụ trong lúc bấm các nút ở cả hai bên hộp pin.

Để lắp hộp pin, hãy giữ nó sao cho phần trước hộp pin vừa khít với phần khoảng hở lắp đặt pin và trượt nó vào đúng vị trí. Trượt hết mức đến khi nào chốt khóa đúng vào vị trí với một tiếng click nhẹ.

⚠ CẢN TRỌNG:

- Luôn luôn lắp hộp pin vào hết mức cho đến khi nó khóa đúng vào vị trí. Nếu không, chốt có thể vô tình rơi ra

LẮP RÁP

⚠ CẢN TRỌNG:

- Luôn đảm bảo rằng đã tắt dụng cụ và tháo hộp pin ra trước khi thực hiện bất cứ thao tác nào trên dụng cụ.

Lắp đặt hoặc tháo mũi vạt hoặc mũi đầu tuýp (Hình 5)

Chỉ sử dụng các đầu mũi có phần lắp như trình bày trong hình.

A = 17 mm B = 14 mm	Để lắp các loại đầu mũi này, hãy làm theo quy trình (1). (Lưu ý) Các mũi vít Makita là những loại sau.
A = 12 mm B = 9 mm	Để lắp các loại đầu mũi này, hãy làm theo quy trình (2). (Lưu ý) Miếng đệm đầu mũi là cần thiết để lắp mũi vít.

006349

1. Để lắp đặt đầu mũi, kéo trụ ngoài theo hướng mũi tên và đẩy đầu mũi vào trụ ngoài hết mức có thể. Sau đó nhả trụ ngoài ra để giữ chặt lại đầu mũi. **(Hình 6)**
2. Để lắp đặt mũi vít, kéo trụ ngoài theo hướng mũi tên, sau đó lắp miếng đệm mũi vít và đẩy mũi vít vào trụ ngoài hết mức có thể. Miếng đệm mũi vít cần được lắp vào trụ ngoài với đầu mũi quay vào trong. Sau đó nhả trụ ngoài ra để giữ chặt mũi vít. **(Hình 7)**

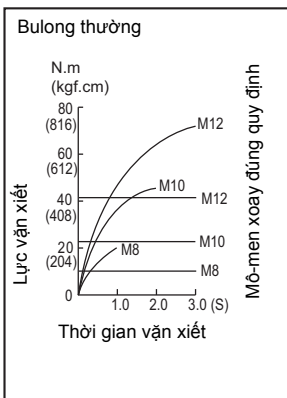
Để tháo mũi vít, kéo trụ ngoài theo hướng mũi tên và kéo mạnh mũi vít ra.

LƯU Ý:

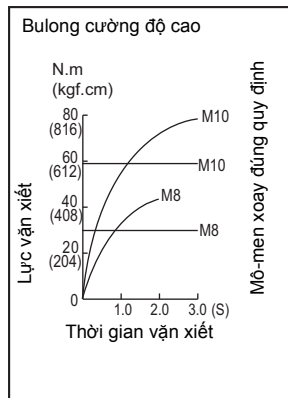
- Nếu mũi vít không được đẩy đủ sâu vào trụ ngoài, trụ ngoài sẽ không trở lại vị trí ban đầu và không giữ chặt được mũi vít. Trong trường hợp này, cô lắp lại mũi vít theo các hướng dẫn ở trên.

VẬN HÀNH (Hình 8)

Mô-men xoay đúng quy định có thể khác nhau tùy thuộc vào loại hoặc kích thước của vít/bulông, vật liệu gia công cần được xiết vạt, v.v... Mỗi liên hệ giữa mô-men xoay và thời gian xoay được thể hiện theo các số liệu sau.



008823



008825

Giữ chặt dụng cụ và đặt điểm đầu mũi vít vào đầu vít. Nhấn dụng cụ về phía trước tới mức sao cho mũi vít không trượt ra khỏi vít và xoay dụng cụ để bắt đầu bắt vít.

LƯU Ý:

- Sử dụng đúng loại mũi vít dành cho đầu vít/đầu bulông mà bạn muốn dùng.
 - Khi xiết vít cỡ M8 hoặc nhỏ hơn, hãy điều chỉnh áp lực cần thận lên cần khởi động công tắc sao cho vít không bị hư hỏng.
 - Giữ dụng cụ chĩa thẳng vào vít.
 - Nếu bạn cần xiết chặt vít lâu hơn thời gian thể hiện trong hình, vít hoặc điểm đầu mũi vít có thể chịu ứng suất vượt tải, bị tròn răng hoặc hư hỏng, v.v... Trước khi thực hiện công việc của mình, luôn vận hành thử để xác định thời gian xoay phù hợp cho loại vít của bạn.
- Mô-men xoay bị ảnh hưởng bởi rất nhiều yếu tố như sau đây. Sau khi xiết, luôn kiểm tra mô-men xoay bằng một cờ-lê cộng lực.

1. Khi hộp pin đã xả điện hoàn toàn, hiệu điện thế sẽ tụt xuống và mô-men xoay sẽ bị giảm.
2. Đầu mũi vít hoặc mũi đầu tuýp
Việc không sử dụng đầu mũi vít hoặc mũi đầu tuýp đúng kích thước có thể làm giảm lực vận xiết.
3. Bulông
 - Ngay cả khi hệ số mô-men xoay và loại bulông là giống nhau, mô-men xoay đúng quy định sẽ khác tùy theo đường kính của bulông.
 - Ngay cả khi đường kính các bulông là giống nhau, mô-men xoay đúng quy định sẽ khác tùy theo hệ số mô-men xoay, loại bulông và chiều dài bulông.
4. Cách cầm dụng cụ hoặc vật liệu tại vị trí bắt vít cần được xoay cũng sẽ ảnh hưởng đến mô-men xoay.
5. Vận hành dụng cụ ở tốc độ thấp cũng sẽ làm giảm mô-men xoay.

Sử dụng bao đeo

⚠ CẢN TRỌNG:

- Không được dùng các dụng cụ như khoan có đầu mũi lắp sẵn trên đó.
- Tắt dụng cụ và chờ đến khi ngừng hoàn toàn trước khi đặt vào bao đeo.
Đảm bảo đóng nắp bao đeo thật chặt để giữ chắc dụng cụ.

Luôn dây đeo hông hoặc tương tự xuyên qua phần giữ bao đeo. **(Hình 9)**

Đặt dụng cụ vào trong bao đeo và khóa lại bằng nút của bao đeo. **(Hình 10)**

Có thể gắn hai đầu mũi khoan ở phía trước bao đeo. **(Hình 11)**

BẢO TRÌ

⚠ CẢN TRỌNG:

- Hãy luôn chắc chắn rằng dụng cụ đã được tắt và hộp pin đã được tháo ra trước khi cố gắng thực hiện việc kiểm tra hay bảo dưỡng.
- Không bao giờ dùng xăng, ét xăng, dung môi, cồn hoặc hóa chất tương tự. Có thể xảy ra hiện tượng mất màu, biến dạng hoặc nứt vỡ.

Để đảm bảo AN TOÀN và TIN CẬY của sản phẩm, việc sửa chữa hoặc bất cứ thao tác bảo trì, điều chỉnh nào đều phải được thực hiện bởi các Trung tâm Dịch vụ Được Ủy quyền của Makita (Makita Authorized Service Center), luôn sử dụng các phụ tùng thiết bị thay thế của Makita.

PHỤ KIỆN TÙY CHỌN

⚠ CẢN TRỌNG:

- Các phụ kiện hoặc phụ tùng gắn thêm này được khuyến cáo sử dụng với dụng cụ Makita của bạn theo như quy định trong hướng dẫn này. Việc sử dụng bất cứ phụ kiện hoặc phụ tùng gắn thêm nào khác đều có thể gây ra rủi ro thương tích cho người. Chỉ sử dụng phụ kiện hoặc phụ tùng gắn thêm cho mục đích đã quy định sẵn của chúng.

Nếu bạn cần hỗ trợ để biết thêm chi tiết về những phụ kiện này, hãy liên hệ với Trung tâm Dịch vụ của Makita tại địa phương của bạn.

- Các đầu mũi vít
- Mũi đầu tuýp
- Miếng đệm đầu mũi
- Bao đeo
- Hộp nhựa chứa dụng cụ
- Pin và bộ sạc chính hãng của Makita

LƯU Ý:

- Một vài mục trong danh sách có thể được bao gồm trong gói dụng cụ làm phụ kiện tiêu chuẩn. Các thông số kỹ thuật có thể thay đổi tùy theo từng quốc gia.

คำอธิบายของมุมมองทั่วไป

- | | | |
|------------------|----------------------------|-------------|
| 1. ปุ่ม | 4. ดวงไฟ | 7. ปลอก |
| 2. ตลับแบตเตอรี่ | 5. ก้านสวิตช์เปลี่ยนทิศทาง | 8. ดอกไขควง |
| 3. สวิตช์สั่งงาน | 6. ดอกสว่าน | |

ข้อมูลจำเพาะ

	รุ่น	TD090D
ความสามารถในการเจาะ	สกรูยึดโลหะ	4 มม. - 8 มม.
	สลักเกลียวมาตรฐาน	5 มม. - 14 มม.
	สลักเกลียวทนแรงดึงสูง	5 มม. - 10 มม.
ความเร็วขณะหมุนเปล่า (รอบต่อนาที)		0 - 2,400
อัตราการกระแทกต่อนาที		0 - 3,000
ความยาวโดยรวม		155 มม.
น้ำหนักสุทธิ		0.92 กก.
แรงดันไฟฟ้า		กระแสตรง 10.8 โวลต์

- เนื่องจากการค้นคว้าวิจัยและพัฒนาอย่างต่อเนื่อง ข้อมูลจำเพาะในเอกสารฉบับนี้อาจเปลี่ยนแปลงได้โดยไม่ต้องแจ้งให้ทราบล่วงหน้า
- ข้อมูลจำเพาะอาจแตกต่างกันไปในแต่ละประเทศ
- นำหน้ากรวมตลับแบตเตอรี่ตามข้อบังคับของ EPTA 01/2014

ตลับแบตเตอรี่และเครื่องชาร์จที่ใช้ได้

ตลับแบตเตอรี่	BL1013
เครื่องชาร์จ	DC10WA

- ตลับแบตเตอรี่และเครื่องชาร์จบางรายการที่แสดงอยู่ด้านบนอาจไม่มีวางจำหน่ายขึ้นอยู่กับภูมิภาคที่คุณอาศัยอยู่

⚠ คำเตือน:


- ใช้ตลับแบตเตอรี่และเครื่องชาร์จที่ระบุไว้ข้างบนเท่านั้น การใช้ตลับแบตเตอรี่และเครื่องชาร์จประเภทอื่นอาจก่อให้เกิดความเสี่ยงที่จะได้รับบาดเจ็บและ/หรือเกิดไฟไหม้

END004-6

GEA013-2

สัญลักษณ์

ต่อไปนี้เป็นสัญลักษณ์ที่ใช้สำหรับอุปกรณ์ โปรดศึกษาความหมายของสัญลักษณ์ให้เข้าใจก่อนการใช้งาน

 อ่านคู่มือการใช้งาน

ENE033-1

จุดประสงค์ของเครื่องมือ

เครื่องมือนี้ใช้สำหรับขันสกรูลงในไม้ โลหะ และพลาสติก

คำเตือนด้านความปลอดภัยของเครื่องมือไฟฟ้าทั่วไป

⚠ คำเตือน: โปรดอ่านคำเตือนด้านความปลอดภัย คำแนะนำ ภาพประกอบ และข้อมูลจำเพาะต่างๆ ที่ให้มากับเครื่องมือไฟฟ้านี้อย่างละเอียด การไม่ปฏิบัติตามคำแนะนำดังต่อไปนี้อาจส่งผลให้เกิดไฟฟ้าช็อต ไฟไหม้ และ/หรือได้รับบาดเจ็บอย่างร้ายแรงได้

เก็บรักษาตำแหน่งและคำแนะนำทั้งหมดไว้ เป็นข้อมูลอ้างอิงในอนาคต

คำว่า “เครื่องมือไฟฟ้า” ในคำเตือนนี้หมายถึงเครื่องมือไฟฟ้า (มีสาย) ที่ทำงานโดยใช้กระแสไฟฟ้าหรือเครื่องมือไฟฟ้า (ไร้สาย) ที่ทำงานโดยใช้แบตเตอรี่

ความปลอดภัยของพื้นที่ทำงาน

1. ดูแลพื้นที่ทำงานให้มีความสะอาดและมีแสงไฟสว่าง พื้นที่บริเวณกระเบื้องหรือมัตที่บอบบางนำไปสู่การเกิดอุบัติเหตุได้
2. อย่าใช้งานเครื่องมือไฟฟ้าในสภาพที่อาจเกิดการระเบิด เช่น ในสถานที่ที่มีของเหลว ก๊าซ หรือฝุ่นผงที่มีคุณสมบัติไวไฟ เครื่องมือไฟฟ้าอาจสร้างประกายไฟและจุดชนวนฝุ่นผงหรือก๊าซดังกล่าว
3. ดูแลไม่ให้มีเด็ก หรือบุคคลอื่นอยู่ในบริเวณที่กำลังใช้เครื่องมือไฟฟ้า การมีสิ่งรบกวนสมาธิอาจทำให้คุณสูญเสียการควบคุม

ความปลอดภัยด้านไฟฟ้า

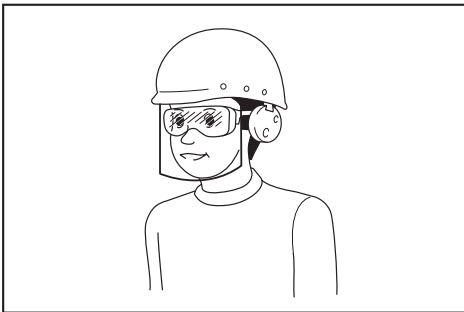
1. ปลั๊กของเครื่องมือไฟฟ้าต้องพอดีกับตัวรับ อย่าดัดแปลงปลั๊กไม่ว่ากรณีใดๆ อย่าใช้ปลั๊กอะแดปเตอร์กับเครื่องมือไฟฟ้าที่ต่อสายดิน ปลั๊กที่ไม่ถูกต้องและตัวรับที่เข้ากันพอดีจะช่วยลดความเสี่ยงของการเกิดไฟฟ้าช็อต
2. ระวังอย่าให้ร่างกายสัมผัสกับพื้นผิวที่ต่อสายดิน เช่น ท่อ เครื่องนำความร้อน เตาหุงต้ม และตู้เย็น มีความเสี่ยงที่จะเกิดไฟฟ้าช็อตสูงขึ้น หากร่างกายของคุณสัมผัสกับพื้น
3. อย่าให้เครื่องมือไฟฟ้าถูกน้ำหรืออยู่ในสภาพเปียกชื้น น้ำที่ไหลเข้าไปในเครื่องมือไฟฟ้าจะเพิ่มความเสี่ยงของการเกิดไฟฟ้าช็อต
4. อย่าใช้สายไฟอย่างไม่เหมาะสม อย่าใช้สายไฟที่โยง ดึง หรือถอดปลั๊กเครื่องมือไฟฟ้า เก็บสายไฟให้ห่างจากความร้อน น้ำมัน ของมีคม หรือชิ้นส่วนที่เคลื่อนที่ สายที่ชำรุดหรือพันกันจะเพิ่มความเสี่ยงของการเกิดไฟฟ้าช็อต
5. ขณะที่ใช้งานเครื่องมือไฟฟ้านอกอาคาร ควรใช้สายต่อพ่วงที่เหมาะสมกับภายนอกอาคาร การใช้สายที่เหมาะสมกับภายนอกอาคารจะลดความเสี่ยงของการเกิดไฟฟ้าช็อต
6. หากต้องใช้งานเครื่องมือไฟฟ้าในสถานที่เปียกชื้น ให้ใช้อุปกรณ์ป้องกันกระแสไฟรั่ว (RCD) การใช้ RCD จะลดความเสี่ยงของการเกิดไฟฟ้าช็อต
7. เครื่องมือไฟฟ้าอาจสร้างสนามแม่เหล็ก (EMF) ที่ไม่เป็นอันตรายต่อผู้ใช้ อย่างไรก็ตาม ผู้ใช้ที่ใส่เครื่องกระตุ้นหัวใจและอุปกรณ์ทางการแพทย์ที่คล้ายกันนี้ควรติดต่อผู้ผลิตอุปกรณ์และ/หรือแพทย์เพื่อรับคำแนะนำก่อนใช้งานเครื่องมือไฟฟ้านี้

ความปลอดภัยส่วนบุคคล

1. ให้ระมัดระวังและมีสติอยู่เสมอขณะใช้งานเครื่องมือไฟฟ้า อย่าใช้งานเครื่องมือไฟฟ้าในขณะที่คุณกำลังเหนื่อย หรือในสภาพที่มีเมฆมาจากยาเสพติด เครื่องดื่ม แอลกอฮอล์ หรือการใช้ยา ชั่ว

ขณะที่ขาดความระมัดระวังเมื่อกำลังใช้งานเครื่องมือไฟฟ้าอาจทำให้ได้รับบาดเจ็บร้ายแรง

2. ใช้อุปกรณ์ป้องกันส่วนบุคคล สวมแว่นตาป้องกันเสมอ อุปกรณ์ป้องกัน เช่น หน้ากากกันฝุ่น รองเท้านิรภัยกันลื่น หมวกนิรภัย หรือเครื่องป้องกันการได้ยินที่ใช้ในสภาพที่เหมาะสมจะช่วยลดการบาดเจ็บ
3. ป้องกันไม่ให้เกิดการเปิดใช้งานโดยไม่ตั้งใจ ตรวจสอบให้แน่ใจว่าสวิตช์ปิดอยู่ก่อนที่จะเชื่อมต่อกับแหล่งจ่ายไฟ และ/หรือชุดแบตเตอรี่ รวมทั้งตรวจสอบก่อนการยกหรือเคลื่อนย้ายเครื่องมือ การถอดนิ้วมือบริเวณสวิตช์เพื่อถือเครื่องมือไฟฟ้า หรือการชาร์จไฟเครื่องมือไฟฟ้าในขณะที่เปิดสวิตช์ขอยูอาจนำไปสู่การเกิดอุบัติเหตุ
4. นำกฎฉบับปรับปรุงหรือประแจออกก่อนที่จะเปิดเครื่องมือไฟฟ้า ประแจหรือกฎฉบับที่เสียบค้างอยู่ในชิ้นส่วนที่หมุนได้ของเครื่องมือไฟฟ้าอาจทำให้ได้รับบาดเจ็บ
5. อย่าทำงานในระบะที่มืดเกินไป จัดทำการยืนและการทรงตัวให้เหมาะสมตลอดเวลา เพราะจะทำให้ควบคุมเครื่องมือไฟฟ้าได้ดีขึ้นในสถานการณ์ที่ไม่คาดคิด
6. แต่งกายให้เหมาะสม อย่าสวมเครื่องแต่งกายที่หลวมเกินไป หรือสวมเครื่องประดับ ดูแลไม่ให้เส้นผมและเสื้อผ้าอยู่ใกล้ชิ้นส่วนที่เคลื่อนที่ เสื้อผ้า ร่ม ร่ม เครื่องประดับ หรือผมที่มีความยาวอาจเข้าไปติดในชิ้นส่วนที่เคลื่อนที่
7. หากมีการจัดอุปกรณ์สำหรับดูดและจัดเก็บฝุ่นไว้ในสถานที่ ให้ตรวจสอบว่าได้เชื่อมต่อกับและใช้งานอุปกรณ์นั้นอย่างเหมาะสม การใช้เครื่องดูดและจัดเก็บฝุ่นจะช่วยลดอันตรายที่เกิดจากฝุ่นผงได้
8. อย่าให้ความคุ้นเคยจากการใช้งานเครื่องมือเป็นประจำทำให้คุณทำตัวตามสบายและละเลยหลักการเพื่อความปลอดภัยในการใช้เครื่องมือ การกระทำที่ไม่ระมัดระวังอาจทำให้เกิดการบาดเจ็บร้ายแรงภายในเสี้ยววินาที
9. สวมใส่แว่นครอบตานิรภัยเพื่อปกป้องดวงตาของคุณจากการบาดเจ็บเมื่อใช้เครื่องมือไฟฟ้า แว่นครอบตาจะต้องได้มาตรฐาน ANSI Z87.1 ในสหรัฐอเมริกา, EN 166 ในยุโรป หรือ AS/NZS 1336 ในออสเตรเลีย/นิวซีแลนด์ ในออสเตรเลีย/นิวซีแลนด์ จะต้องสวมเกราะป้องกันใบหน้าเพื่อปกป้องใบหน้าของคุณอย่างถูกต้องตามกฎหมายด้วย



ผู้ว่าจ้างมีหน้าที่รับผิดชอบในการบังคับผู้ใช้งานเครื่องมือและบุคคลอื่น ๆ ที่อยู่ในบริเวณที่ปฏิบัติงานให้ใช้อุปกรณ์ป้องกันที่เหมาะสม

การใช้และดูแลเครื่องมือไฟฟ้า

1. อย่าฝืนใช้เครื่องมือไฟฟ้า ใช้เครื่องมือไฟฟ้าที่เหมาะสมกับงานใช้งานของคุณ เครื่องมือไฟฟ้าที่เหมาะสมจะทำให้ได้งานที่มีประสิทธิภาพและปลอดภัยกว่าตามขีดความสามารถของเครื่องที่ได้รับการออกแบบมา
2. อย่าใช้เครื่องมือไฟฟ้า หากสวิตช์ไม่สามารถเปิดปิดได้ เครื่องมือไฟฟ้าที่ควบคุมด้วยสวิตช์ไม่ได้เป็นสิ่งอันตรายและต้องได้รับการซ่อมแซม
3. ถอดปลั๊กจากแหล่งจ่ายไฟ และ/หรือขูดแบตเตอรี่ออกจากเครื่องมือไฟฟ้าก่อนทำการปรับตั้ง เปลี่ยนอุปกรณ์เสริม หรือจัดเก็บเครื่องมือไฟฟ้า วิธีการป้องกันด้านความปลอดภัยดังกล่าวจะช่วยลดความเสี่ยงในการเปิดใช้งานเครื่องมือไฟฟ้าโดยไม่ได้ตั้งใจ
4. จัดเก็บเครื่องมือไฟฟ้าที่ไม่ได้ใช้งานให้ห่างจากมือเด็ก และอย่าอนุญาตให้บุคคลที่ไม่คุ้นเคยกับเครื่องมือไฟฟ้าหรือคำแนะนำเหล่านี้ใช้งานเครื่องมือไฟฟ้า เครื่องมือไฟฟ้าจะเป็นอันตรายเมื่ออยู่ในมือของผู้ที่ไม่ได้รับการฝึกอบรม
5. บำรุงรักษาเครื่องมือไฟฟ้าและอุปกรณ์เสริม ตรวจสอบการประกอบที่ไม่ถูกต้องหรือการเชื่อมต่อของชิ้นส่วนที่เคลื่อนที่ที่การแตกหักของชิ้นส่วน หรือสภาพอื่น ๆ ที่อาจส่งผลกระทบต่อการทำงานของเครื่องมือไฟฟ้า หากมีความเสียหายให้นำเครื่องมือไฟฟ้าไปซ่อมแซมก่อนการใช้งาน อุบัติเหตุจำนวนมากเกิดจากการดูแลรักษาเครื่องมือไฟฟ้าอย่างไม่ถูกต้อง
6. ทำความสะอาดเครื่องมือตัดและลับให้คมอยู่เสมอ เครื่องมือการตัดที่มีการดูแลอย่างถูกต้องและมีขอบการตัดคมมักจะมีปัญหาตัดฉีกน้อยและควบคุมได้ง่ายกว่า
7. ใช้เครื่องมือไฟฟ้า อุปกรณ์เสริม และวัสดุสิ้นเปลือง ฯลฯ ตามคำแนะนำดังกล่าว พิจารณาสภาพการทำงานและงานที่จะลงมือทำ การใช้เครื่องมือไฟฟ้าเพื่อทำงานอื่นนอกเหนือจากที่กำหนดไว้อาจทำให้เกิดอันตราย
8. ดูลมมือจับและบริเวณมือจับให้แห้ง สะอาด และไม่มีน้ำมันและจาระบีเหนียว มือจับและบริเวณมือจับที่ลื่นจะทำให้ไม่สามารถจับ

และควบคุมเครื่องมือได้อย่างปลอดภัยในสถานการณ์ที่ไม่คาดคิด

9. ขณะใช้งานเครื่องมือ อย่าสวมใส่ถุงมือผ้าที่อาจเข้าไปติดในเครื่องมือได้ หากถุงมือผ้าเข้าไปติดในชิ้นส่วนที่กำลังเคลื่อนที่อยู่อาจทำให้ได้รับบาดเจ็บ

การใช้งานและดูแลเครื่องมือที่ใช้แบตเตอรี่

1. ชาร์จไฟใหม่ด้วยเครื่องชาร์จที่ระบุโดยผู้ผลิตเท่านั้น เครื่องชาร์จที่เหมาะสมสำหรับชุดแบตเตอรี่ประเภทหนึ่งอาจเสี่ยงที่จะเกิดไฟไหม้หากนำไปใช้กับชุดแบตเตอรี่อีกประเภทหนึ่ง
2. ใช้เครื่องมือไฟฟ้ากับชุดแบตเตอรี่ที่กำหนดมาโดยเฉพาะเท่านั้น การใช้ชุดแบตเตอรี่ประเภทอื่นอาจทำให้เสี่ยงที่จะได้รับบาดเจ็บและเกิดไฟไหม้
3. เมื่อไม่ใช้งานชุดแบตเตอรี่ ให้เก็บห่างจากวัตถุที่เป็นโลหะอื่น ๆ เช่น คลิปหนีบกระดาษ เหวียนูญ แก้ว กระดาษคัตเลียบ สกรู หรือวัตถุที่เป็นโลหะขนาดเล็กอื่น ๆ ที่สามารถเชื่อมต่อชั่วคราวกับอีกขั้วหนึ่งได้ การลัดวงจรขั้วแบตเตอรี่อาจทำให้อุ่นจัดหรือเกิดไฟไหม้
4. ในกรณีที่ใช้งานไม่ถูกต้อง อาจมีของเหลวไหลออกจากแบตเตอรี่ ให้หลีกเลี่ยงการสัมผัส หากสัมผัสโดนของเหลวโดยไม่ได้ตั้งใจ ให้ล้างออกด้วยน้ำ หากของเหลวกระเด็นเข้าตา ให้รีบไปพบแพทย์ ของเหลวที่ไหลออกจากแบตเตอรี่อาจทำให้ผิวหนังระคายเคืองหรือไฟไหม้
5. ห้ามใช้ชุดแบตเตอรี่หรือเครื่องมือที่ชำรุดหรือมีสารแก๊ซ แบตเตอรี่ที่เสียหายหรือมีการแก๊ซอาจทำให้เกิดสิ่งที่ไม่คาดไม่ถึงได้ เช่น ไฟไหม้ ระเบิด หรือเสี่ยงต่อการบาดเจ็บ
6. ห้ามให้ชุดแบตเตอรี่อยู่ใกล้ไฟ หรือบริเวณที่มีอุณหภูมิสูงเกิน หากโดนไฟ หรืออุณหภูมิสูงเกิน 130 °C อาจก่อให้เกิดการระเบิดได้
7. กรุณาปฏิบัติตามคำแนะนำสำหรับการชาร์จไฟ และห้ามชาร์จแบตเตอรี่หรือเครื่องมือในบริเวณที่มีอุณหภูมินอกเหนือไปจากที่ระบุในคำแนะนำ การชาร์จไฟที่ไม่เหมาะสม หรืออุณหภูมิ นอกเหนือไปจากช่วงอุณหภูมิที่ระบุในคำแนะนำอาจทำให้แบตเตอรี่เสียหายและเป็นภาระเพิ่มความเสี่ยงในการเกิดไฟไหม้

การซ่อมบำรุง

1. นำเครื่องมือไฟฟ้าเข้ารับบริการจากช่างซ่อมที่ผ่านการรับรองโดยใช้อะไหล่แบบเดียวกันเท่านั้น เพราะจะทำให้การใช้เครื่องมือไฟฟ้ามีความปลอดภัย
2. ห้ามใช้ชุดแบตเตอรี่ที่เสียหาย ชุดแบตเตอรี่ที่ใช้ควรเป็นชุดที่มาจากผู้ผลิต หรือผู้ให้บริการที่ได้รับอนุญาตเท่านั้น
3. ปฏิบัติตามคำแนะนำในการหล่อลื่นและการเปลี่ยนอุปกรณ์เสริม

คำเตือนด้านความปลอดภัยของไขควง กระแทกแบบไร้สาย

1. ถือเครื่องมือไฟฟ้าบริเวณมือจับที่เป็นฉนวนขณะทำงานที่สายรัดอาจสัมผัสกับสายไฟที่ซ่อนอยู่ สายรัดที่สัมผัสกับสายไฟที่ “มีกระแสไฟฟ้าไหลผ่าน” อาจทำให้ส่วนที่เป็นโลหะของเครื่องมือไฟฟ้าที่ไม่มีฉนวนหุ้ม “มีกระแสไฟฟ้าไหลผ่าน” และทำให้ผู้ปฏิบัติงานถูกไฟฟ้าช็อตได้
2. ตรวจสอบให้แน่ใจว่าได้ยึดอย่างมั่นคง หากใช้งานเครื่องมือในพื้นที่สูง ระวังอย่าให้มือคุณอยู่ด้านล่าง
3. จับเครื่องมือให้แน่น
4. สวมใส่อุปกรณ์ป้องกันเสียง
5. อย่าสัมผัสกับดอกไขควงหรือชิ้นงานทันทีที่ทำงานเสร็จ เนื่องจากอาจมีความร้อนสูงและทำให้ผิวหนังไหม้ได้
6. ระวังอย่าให้มือสัมผัสกับชิ้นส่วนที่หมุนได้
7. ใช้มือจับเสริม หากมีมากับเครื่องมือ การสูญเสียการควบคุม อาจทำให้ได้รับบาดเจ็บ
8. ถือเครื่องมือไฟฟ้าบริเวณมือจับที่เป็นฉนวนเมื่อทำงานที่เครื่องมือตัดอาจสัมผัสกับสายไฟที่ซ่อนอยู่ หากอุปกรณ์ส่วนที่ใช้ตัดเกิดสัมผัสกับสายไฟที่ “มีกระแสไฟฟ้าไหลผ่าน” อาจทำให้ส่วนที่เป็นโลหะของเครื่องมือไฟฟ้าที่ไม่มีฉนวนหุ้มเกิดกระแสไฟฟ้าไหลผ่านได้ และส่งผลให้ผู้ปฏิบัติงานถูกไฟฟ้าช็อต

ปฏิบัติตามคำแนะนำเหล่านี้

⚠ คำเตือน:

อย่าให้ความไม่ระมัดระวังหรือความคุ้นเคยกับผลิตภัณฑ์ (จากการใช้งานซ้ำหลายครั้ง) อยู่เหนือการปฏิบัติตามกฎเกณฑ์ด้านความปลอดภัยในการใช้งานผลิตภัณฑ์อย่างเคร่งครัด การใช้งานอย่างไม่เหมาะสมหรือการไม่ปฏิบัติตามกฎเกณฑ์ด้านความปลอดภัยในคู่มือการใช้งานนี้อาจทำให้ได้รับบาดเจ็บรุนแรง

ENC009-5

คำแนะนำเพื่อความปลอดภัยที่สำคัญ สำหรับดัลล์แบตเตอรี่

1. ก่อนใช้งานดัลล์แบตเตอรี่ ให้อ่านคำแนะนำและเครื่องหมายเตือนทั้งหมดบน (1) เครื่องชาร์จแบตเตอรี่ (2) แบตเตอรี่ และ (3) ตัวผลิตภัณฑ์ที่ใช้แบตเตอรี่
2. ห้ามถอดแยกส่วนดัลล์แบตเตอรี่
3. หากระยะเวลาที่เครื่องทำงานสั้นเกินไป ให้หยุดใช้งานทันที เนื่องจากอาจมีความเสี่ยงที่จะร้อนจัด ไหม้หรือระเบิดได้
4. หากสารละลายอิเล็กโทรไลต์กระเด็นเข้าตา ให้ล้างออกด้วยน้ำเปล่าและรีบไปพบแพทย์ทันที เนื่องจากอาจทำให้ตาบอด

5. ห้ามลัดวงจรดัลล์แบตเตอรี่:

- (1) ห้ามแตะขั้วกับวัตถุที่เป็นสื่อนำไฟฟ้าใดๆ
 - (2) หลีกเลี่ยงการเก็บดัลล์แบตเตอรี่ไว้ในภาชนะร่วมกับวัตถุที่เป็นโลหะ เช่น กรรไกรตัดเล็บ เหรียญ ฯลฯ
 - (3) อย่าให้ดัลล์แบตเตอรี่ถูกน้ำหรือฝน
- แบตเตอรี่ดัลล์จรรยาอาจทำให้เกิดการไหลของกระแสไฟฟ้า ร้อนจัด ไหม้หรือเสียหายได้
6. ห้ามเก็บเครื่องมือและดัลล์แบตเตอรี่ไว้ในสถานที่ที่มีอุณหภูมิสูงถึงหรือเกิน 50 °C
 7. ห้ามเผาดัลล์แบตเตอรี่ทิ้ง แม้ว่าแบตเตอรี่จะเสียหายจนใช้การไม่ได้หรือเสื่อมสภาพแล้ว ดัลล์แบตเตอรี่อาจระเบิดในกองไฟ
 8. ระวังอย่าทำแบตเตอรี่ตกลงหรือกระทบกระแทก
 9. ห้ามใช้แบตเตอรี่ที่เสียหาย
 10. แบตเตอรี่ลิเทียมไอออนที่มีมาให้ห็นเป็นไปตามข้อกำหนดของ Dangerous Goods Legislation

สำหรับการขนส่งเพื่อการพาณิชย์ เช่น โดยบุคคลที่สาม ตัวแทนขนส่งสินค้า จะต้องตรวจสอบข้อกำหนดพิเศษในด้านกาบรรจุหีบห่อหรือการติดป้ายสินค้า

ในการเตรียมสินค้าที่จะขนส่ง ให้ปรึกษาผู้เชี่ยวชาญด้านวัตถุอันตราย โปรดตรวจสอบข้อกำหนดในประเทศที่อาจมีรายละเอียดอื่นๆ เพิ่มเติม

ให้ติดเทปหรือปิดหน้าสัมผัสและห่อแบตเตอรี่ในลักษณะที่แบตเตอรี่จะไม่เคลื่อนที่ไปมาในหีบห่อ

11. ปฏิบัติตามข้อบังคับในท้องถิ่นที่เกี่ยวข้องกับการกำจัดแบตเตอรี่
12. ใช้แบตเตอรี่กับผลิตภัณฑ์ที่ระบุโดย Makita เท่านั้น การติดตั้งแบตเตอรี่ในผลิตภัณฑ์ที่ไม่ใช่ตามที่ระบุอาจทำให้เกิดไฟไหม้ ความร้อนสูง ระเบิด หรืออิเล็กโทรไลต์รั่วไหลได้

ปฏิบัติตามคำแนะนำเหล่านี้

⚠ ข้อควรระวัง:

- ใช้แบตเตอรี่ของแท้จาก Makita เท่านั้น การใช้แบตเตอรี่ Makita ที่ไม่แท้ หรือแบตเตอรี่ที่ถูกเปลี่ยน อาจทำให้แบตเตอรี่ระเบิด ก่อให้เกิดเพลิงลุกไหม้ การบาดเจ็บ และความเสี่ยงภัยได้ และจะทำให้การรับประกันของ Makita สำหรับเครื่องมือและแท่นชาร์จของ Makita เป็นโมฆะด้วย

เคล็ดลับในการรักษาอายุการใช้งานของแบตเตอรี่ให้ยาวนานที่สุด

1. ชาร์จดัลล์แบตเตอรี่ก่อนที่ไฟจะหมด หยุดการใช้งานแล้วชาร์จประจุไฟฟ้าให้ทุกครั้งเมื่อคุณรู้สึกว่าอุปกรณ์มีกำลังลดลง
2. อย่าชาร์จดัลล์แบตเตอรี่ที่มีไฟเต็มแล้ว การชาร์จประจุไฟฟ้ามกเกินไปอาจจะทำให้อายุการใช้งานของดัลล์แบตเตอรี่สั้นลง

3. ชาร์จประจุไฟฟ้ากลับแบตเตอรี่ในห้องที่มีอุณหภูมิระหว่าง 10 °C - 40 °C ปล่อยให้กลับแบตเตอรี่เย็นลงก่อนที่จะชาร์จไฟ

คำอธิบายการทำงาน

⚠️ ข้อควรระวัง:

- ตรวจสอบให้แน่ใจว่าสวิตช์เครื่องมืออยู่ในตำแหน่งปิดเครื่อง และถอดด้ามแบตเตอรี่ออกก่อนปรับตั้งหรือตรวจสอบการทำงานของเครื่องมือ

การติดตั้งหรือถอดด้ามแบตเตอรี่ (ภาพที่ 1)

⚠️ ข้อควรระวัง:

- ปิดสวิตช์เครื่องมือก่อนทำการใส่หรือถอดด้ามแบตเตอรี่ทุกครั้ง
- ถือเครื่องมือและด้ามแบตเตอรี่ให้แน่นในระหว่างการติดตั้งหรือการถอดด้ามแบตเตอรี่** การไม่ถือด้ามแบตเตอรี่และเครื่องมือให้แน่นอาจจะทำให้ด้ามแบตเตอรี่และเครื่องมือลื่นหลุดมือเสียหาย หรือเกิดการบาดเจ็บได้

เมื่อต้องการถอดด้ามแบตเตอรี่ ให้กดปุ่มที่ด้านข้างทั้งสองด้านของด้ามแบตเตอรี่แล้วดึงด้ามแบตเตอรี่ออกจากเครื่องมือ

วิธีการใส่ด้ามแบตเตอรี่ ให้เอาส่วนหนัของด้ามแบตเตอรี่ชนกับช่องใส่แล้วกดเข้าที่ ใส่ด้ามแบตเตอรี่เข้าจนสุดจนกระทั่งได้ยินเสียงคลิกล็อกเข้าที่

⚠️ ข้อควรระวัง:

- ตรวจสอบให้แน่ใจว่าใส่ด้ามแบตเตอรี่เข้าจนสุดจนกระทั่งได้ยินเสียงล็อกเข้าที่ ไม่เช่นนั้น ด้ามแบตเตอรี่อาจหลุดออกจากเครื่องมือทำให้คุณหรือคนรอบข้างได้รับบาดเจ็บ
- อย่าฝืนติดตั้งด้ามแบตเตอรี่โดยใช้แรงมากเกินไป หากด้ามแบตเตอรี่ไม่เลื่อนเข้าไปโดยง่าย แสดงว่าใส่ไม่ถูกต้อง

ระบบป้องกันแบตเตอรี่

เครื่องมือจะมีระบบการป้องกันแบตเตอรี่ ระบบนี้จะทำการตัดพลังงานของมอเตอร์โดยอัตโนมัติเพื่อยืดอายุแบตเตอรี่ เครื่องมือจะหยุดทำงานระหว่างการใช้งานโดยอัตโนมัติเมื่อเครื่องมือและหรือแบตเตอรี่อยู่ภายใต้สถานการณ์ต่อไปนี้:

- ทำงานหนักเกินไป: เครื่องมือทำงานในลักษณะที่ต้องใช้พลังงานไฟฟ้าสูงผิดปกติ ในสถานการณ์นี้ ให้ปล่อยสวิตช์สั่งงานของเครื่องมือและหยุดการใช้งานในรูปแบบที่อาจจะทำให้เครื่องมือทำงานหนักเกินไปได้ แล้วคอยดิ่งสวิตช์สั่งงานอีกครั้งเพื่อเริ่มทำงานต่อ
- พลังงานในแบตเตอรี่ต่ำ: พลังงานในแบตเตอรี่เหลือน้อยเกินไปและเครื่องมือจะไม่ทำงาน หากคุณกดสวิตช์สั่งงานแล้วมอเตอร์เริ่มทำงานและหยุดทำงานในทันที ในสถานการณ์นี้ ให้ถอดแบตเตอรี่ออกแล้วชาร์จแบตเตอรี่ใหม่

การทำงานของสวิตช์ (ภาพที่ 2)

⚠️ ข้อควรระวัง:

- ก่อนใส่ด้ามแบตเตอรี่ลงในเครื่องมือ ให้ตรวจสอบว่าสวิตช์สั่งงานสามารถทำงานได้อย่างถูกต้อง และกลับไปยังตำแหน่ง "OFF" เมื่อปล่อย

เปิดใช้เครื่องมือโดยดิ่งสวิตช์สั่งงาน ความเร็วเครื่องมือจะเพิ่มขึ้นเมื่อออกแรงกดที่สวิตช์สั่งงาน ปล่อยให้สวิตช์สั่งงานเพื่อหยุดทำงาน

การเปิดดวงไฟด้านหน้า (ภาพที่ 3)

⚠️ ข้อควรระวัง:

- อย่ามองเข้าไปในดวงไฟหรือจ้องดูแหล่งกำเนิดแสงโดยตรง ดิ่งสวิตช์สั่งงานเพื่อเปิดไฟ ดวงไฟจะส่องสว่างในขณะที่ดิ่งสวิตช์สั่งงาน ดวงไฟจะดับลงภายใน 10 - 15 วินาทีหลังจากปล่อยสวิตช์สั่งงาน

หมายเหตุ:

- ใช้ผ้าแห้งเพื่อเช็ดสิ่งสกปรกออกจากเลนส์ของดวงไฟ ระวังอย่าขีดข่วนเลนส์ของดวงไฟ ไม่เช่นนั้น อาจทำให้ส่องสว่างได้น้อยลง

การทำงานของสวิตช์เปลี่ยนทิศทาง (ภาพที่ 4)

เครื่องมือนี้มีสวิตช์เปลี่ยนทิศทาง เพื่อใช้เปลี่ยนทิศทางการหมุน ดันก้านสวิตช์เปลี่ยนทิศทางจากด้าน A เพื่อให้หมุนตามเข็มนาฬิกา หรือจากด้าน B เพื่อให้หมุนทวนเข็มนาฬิกา เมื่อก้านสวิตช์เปลี่ยนทิศทางอยู่ในตำแหน่งปกติ สวิตช์สั่งงานจะไม่สามารถดิ่งได้

⚠️ ข้อควรระวัง:

- ตรวจสอบทิศทางการหมุนก่อนการใช้งานเสมอ
- ใช้สวิตช์เปลี่ยนทิศทางหลังเครื่องมือหยุดสนิทเท่านั้น การเปลี่ยนทิศทางการหมุนก่อนเครื่องมือหยุดสนิทอาจทำให้เครื่องมือเสียหายได้
- เมื่อไม่ได้ใช้งานเครื่องมือ ตรวจสอบให้แน่ใจว่าก้านสวิตช์เปลี่ยนทิศทางอยู่ในตำแหน่งปกติ

การประกอบ

⚠️ ข้อควรระวัง:

- ตรวจสอบให้แน่ใจว่าสวิตช์เครื่องมืออยู่ในตำแหน่งปิดเครื่อง และถอดด้ามแบตเตอรี่ออกก่อนดำเนินการใดๆ กับเครื่องมือ

การติดตั้งและถอดดอกไขควงหรือหัวมีดอกรี (ภาพที่ 5)

ใช้เฉพาะดอกไขควงที่มีแกนเสียบดิ่งที่แสดงในภาพ

A = 17 มม. B = 14 มม.	ติดตั้งดอกไขควงชนิดนี้โดยทำตามขั้น ตอน (1) (หมายเหตุ) ดอกไขควงของ Makita เป็น ชนิดนี้
A = 12 มม. B = 9 มม.	ติดตั้งดอกไขควงชนิดนี้โดยทำตามขั้น ตอน (2) (หมายเหตุ) ต้องใช้ตัวต่อเพื่อติดตั้งดอก ไขควง

006349

- เมื่อต้องการติดตั้งดอกไขควง ให้ดึงปลอกตามทิศทางลูกศร และ
ใส่ดอกไขควงลงในปลอกจนสุด จากนั้นปล่อยปลอกให้ยึดดอก
ไขควง (ภาพที่ 6)
- เมื่อต้องการติดตั้งดอกไขควง ให้ดึงปลอกตามทิศทางลูกศร และ
ใส่ตัวต่อและดอกไขควงลงในปลอกจนสุด ควรใส่ตัวต่อลงใน
ปลอกโดยหันปลายแหลมเข้า จากนั้นปล่อยปลอกเพื่อยึดดอก
ไขควง (ภาพที่ 7)

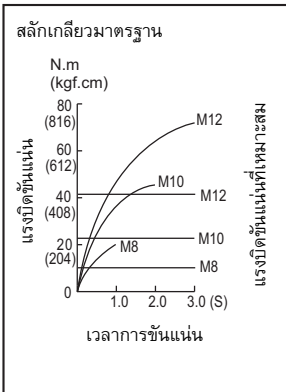
เมื่อต้องการถอดดอกไขควง ให้ดึงปลอกตามทิศทางลูกศรและดึง
ดอกไขควงออกแรงๆ

หมายเหตุ:

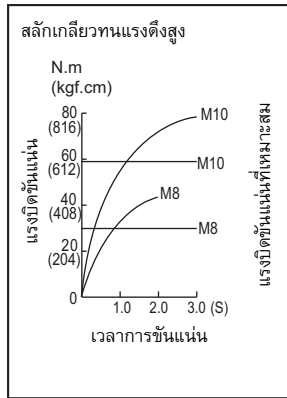
- หากใส่ดอกไขควงลงในปลอกลึกไม่เพียงพอ ปลอกจะไม่กลับคืน
สู่ตำแหน่งเดิม และดอกไขควงจะไม่ถูกยึดแน่น ในกรณีนี้ ให้ลอง
ใส่ดอกไขควงลงไปอีกครั้งตามคำแนะนำด้านบน

การใช้งาน (ภาพที่ 8)

แรงบิดขั้นแน่นที่เหมาะสมอาจแตกต่างกันขึ้นอยู่กับชนิดหรือขนาด
ของสกรู/สลักเกลียว วัสดุของชิ้นงานที่จะขันแน่น ฯลฯ ความ
สัมพันธ์ระหว่างแรงบิดขั้นแน่นและเวลาขันแน่นจะแสดงอยู่ในภาพ
ด้านล่าง



008823



008825

จับเครื่องมือให้แน่น และวางปลายดอกไขควงที่หัวสกรู ออกแรงดัน
เครื่องมือเพื่อไม่ให้ดอกไขควงไถลออกจากสกรู และเปิดสวิตช์
เครื่องมือเพื่อเริ่มใช้งาน

หมายเหตุ:

- ใช้ดอกไขควงที่เหมาะสมกับสกรู/สลักเกลียวที่คุณต้องการใช้
 - เมื่อขันแน่นสกรู M8 หรือเล็กกว่า ให้ค่อยๆ ดันสวิตช์ซึ่งงานเพื่อ
ไม่ให้สกรูเสียหาย
 - จับเครื่องมือให้ตรงกับสกรู
 - หากใช้แรงบิดขั้นแน่นมากเกินไปหรือใช้เวลาขันแน่นนานกว่าที่
แสดงในภาพ สกรูหรือปลายดอกไขควงอาจรับแรงมากเกินไปทำ
ให้เกิดการฉีกหรือเสียหาย ก่อนที่จะเริ่มงาน ให้ทำงานทดสอบเพื่อ
กำหนดเวลาขันแน่นที่เหมาะสมสำหรับสกรู
- แรงบิดขั้นแน่นอาจเปลี่ยนแปลงไปขึ้นอยู่กับปัจจัยต่างๆ ดังต่อไปนี้

- เมื่อพลังงานในแบตเตอรี่เต็มหรือใกล้หมด แรงดันไฟฟ้าจะลดลงซึ่ง
ทำให้แรงบิดขั้นแน่นลดลง
- ดอกไขควงหรือหัวบ็อกซ์
- การใช้หัวบ็อกซ์ขนาดไม่ถูกต้องจะทำให้แรงบิดขั้นแน่นลดลง
- สลักเกลียว
 - แม้ว่าค่าสัมประสิทธิ์แรงบิดและระดับของสลักเกลียวจะเท่า
กัน แรงบิดขั้นแน่นที่เหมาะสมจะแตกต่างกันตามเส้นผ่าน
ศูนย์กลางของสลักเกลียว
 - แม้ว่าเส้นผ่านศูนย์กลางของสลักเกลียวจะเท่ากัน แรงบิด
ขั้นแน่นที่เหมาะสมจะแตกต่างกันตามค่าสัมประสิทธิ์แรง
บิด ระดับของสลักเกลียว และความยาวของสลักเกลียว
- ลักษณะการจับเครื่องมือหรือเนื้อวัสดุในตำแหน่งที่จะขันแน่นจะ
มีผลต่อแรงบิด
- การใช้งานเครื่องมือที่ความเร็วต่ำจะทำให้แรงบิดขั้นแน่นลดลง

การใช้ของหนัง

⚠️ ข้อควรระวัง:

- อย่าใช้กับเครื่องมือที่มีชิ้นส่วนเล็กๆ ติดตั้งอยู่
- ปิดเครื่องมือแล้วรอให้เครื่องมือหยุดสนิทก่อนใส่ของ ตรวจสอบให้แน่ใจว่าได้ปิดของอย่างแน่นหนาเพื่อเก็บรักษา เครื่องมืออย่างปลอดภัย

สอดเข็มขัดหรืออุปกรณ์อื่นๆ ผ่านทางรูยึดของ (ภาพที่ 9)

ใส่เครื่องมือในช่องแล้วล็อกด้วยประตุม (ภาพที่ 10)

สามารถเก็บดอกไขควงไว้สองดอกที่ด้านหน้าของของหนัง (ภาพที่ 11)

การบำรุงรักษา

⚠️ ข้อควรระวัง:

- ตรวจสอบให้แน่ใจว่าสวิตช์เครื่องมืออยู่ในตำแหน่งปิดเครื่อง และถอดปลั๊กแบตเตอรี่ออกก่อนทำการตรวจสอบหรือบำรุงรักษา
- อย่าใช้น้ำมันเชื้อเพลิง เบนซิน ทินเนอร์ แอลกอฮอล์ หรือวัสดุประเภทเดียวกัน เพราะอาจทำให้เครื่องมือมีสีซีดจาง ผิดรูปทรง หรือแตกหักได้

เพื่อความปลอดภัยและความน่าเชื่อถือของผลิตภัณฑ์ ควรให้ศูนย์บริการที่ผ่านการรับรองจาก Makita เป็นผู้ดำเนินการซ่อมแซม บำรุงรักษา และทำการปรับตั้งอื่นๆ นอกจากนี้ให้ใช้อะไหล่ของแท้จาก Makita เสมอ

อุปกรณ์เสริม

⚠️ ข้อควรระวัง:

- ขอแนะนำให้ใช้เฉพาะอุปกรณ์เสริมหรืออุปกรณ์ต่อพ่วงเหล่านี้กับเครื่องมือ Makita ที่ระบุในคู่มือ การใช้อุปกรณ์เสริมหรืออุปกรณ์ต่อพ่วงอื่นๆ อาจมีความเสี่ยงที่จะได้รับบาดเจ็บ ใช้อุปกรณ์เสริมหรืออุปกรณ์

ต่อพ่วงตามวัตถุประสงค์ที่ระบุไว้เท่านั้น

หากคุณต้องการทราบรายละเอียดเกี่ยวกับอุปกรณ์เสริมเหล่านี้ โปรดสอบถามศูนย์บริการ Makita ใกล้บ้านคุณ

- ดอกไขควง
- หัวบ็อกซ์
- ดอกไขควง
- ชอง
- กระเป๋ากลึงพลาสติก
- แบตเตอรี่และเครื่องชาร์จ Makita ของแท้

หมายเหตุ:

- อุปกรณ์บางรายการอาจจะรวมอยู่ในชุดอุปกรณ์พื้นฐานของผลิตภัณฑ์ ซึ่งอาจแตกต่างกันไปในแต่ละประเทศ

Makita Corporation

3-11-8, Sumiyoshi-cho,
Anjo, Aichi 446-8502 Japan

www.makita.com