

LCD Display PID Control Temperature Controller

■ Features

- Super high-speed sampling with 50ms
- Improved visibility with LCD display
- Communication function supported: RS485 (Modbus RTU)
- Convenient parameter setting (USB or RS485 communication)
 - : Free download the comprehensive device management program (DAQMaster)
- SSR drive output / Current output selectable
- SSRP output (standard/phase/cycle control selectable)
- Mounting space saving with compact design
 - : downsized by approx. 30% in depth compared with same size of other Series (panel back length: 60mm)



⚠ Please read "Safety Considerations" in the instruction manual before using.



■ Manual

For the detail information and instructions of communication setting and Modbus mapping table, please refer to the user manual for communication, and be sure to follow cautions written in the technical descriptions (catalog, website). Visit our website (www.autonics.com) to download manuals.

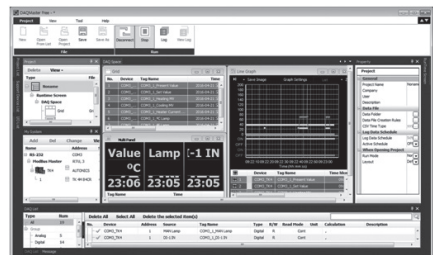
■ Comprehensive Device Management Program (DAQMaster)

- DAQMaster is comprehensive device management program. It is available for parameter setting, monitoring.
- Visit our website (www.autonics.com) to download user manual and comprehensive device management program.

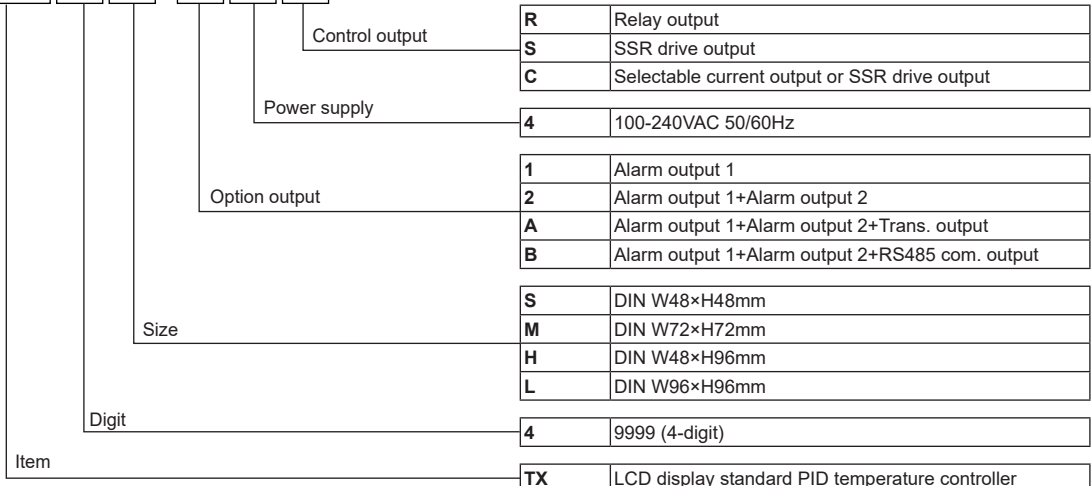
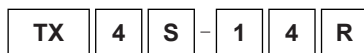
< Computer specification for using software >

| Item | Minimum requirements |
|------------------|--|
| System | IBM PC compatible computer with Intel Pentium III or above |
| Operating system | Microsoft Windows 98/NT/XP/Vista/7/8/10 |
| Memory | 256MB or more |
| Hard disk | More than 1GB of free hard disk space |
| VGA | 1024×768 or higher resolution display |
| Others | RS-232 serial port (9-pin), USB port |

< DAQMaster screen >



■ Ordering Information







| |
|--------------------|
| SENSORS |
| FIELD INSTRUMENTS |
| CONTROLLERS |
| MOTION DEVICES |
| SOFTWARE |

| |
|------------------------------------|
| (A) Temperature Controllers |
| (B) SSRs |
| (C) Power Controllers |
| (D) Counters |
| (E) Timers |
| (F) Digital Panel Meters |
| (G) Indicators |
| (H) Converters |
| (I) Digital Display Units |
| (J) Sensor Controllers |
| (K) Switching Mode Power Supplies |
| (L) Recorders |
| (M) HMIs |
| (N) Industrial PC |
| (O) Field Network Devices |

TX Series

■ Specifications

| Series | | TX4S | TX4M | TX4H | TX4L |
|--------------------------------|---------------|---|--------------------------------|--------------------------------|--------------------------------|
| Power supply | | 100-240VAC ~ 50/60Hz | | | |
| Allowable voltage range | | 90 to 110% of rated voltage | | | |
| Power consumption | | Max. 8VA | | | |
| Display method | | 11-segment (PV: white, SV: green), other display (yellow) with LCD method ^{※1} | | | |
| Character size | PV(W×H) | 7.2×14mm | 10.7×17.3mm | 7.2×15.8mm | 16×26.8mm |
| | SV(W×H) | 3.9×7.6mm | 6.8×11mm | 6.2×13.7mm | 10.7×17.8mm |
| Input type | RTD | DPT100Ω, Cu50Ω (permissible line resistance max. 5Ω) | | | |
| | TC | K(CA), J(IC), L(IC), T(CC), R(PR), S(PR) | | | |
| Display accuracy ^{※2} | RTD | ●At room temperature (23°C±5°C): (PV ±0.3% or ±1°C, select the higher one) ±1-digit | | | |
| | TC | ●Out of room temperature: (PV ±0.5% or ±2°C, select the higher one) ±1-digit | | | |
| Control output | Relay | 250VAC ~ 3A, 30VDC = 3A, 1a | | | |
| | SSR | Max. 12VDC = ±2V 20mA | Max. 13VDC = ±3V 20mA | | |
| | Current | DC4-20mA or DC0-20mA (load resistance max. 500Ω) | | | |
| Option output | Alarm output | AL1, AL2 Relay: 250VAC ~ 3A 1a | | | |
| | Trans. output | DC4-20mA (load resistance max. 500Ω, output accuracy: ±0.3%F.S.) | | | |
| | Com. output | RS485 Communication output (Modbus RTU method) | | | |
| Control method | | ON/OFF control, P, PI, PD, PID control | | | |
| Hysteresis | | 1 to 100°C/°F (0.1 to 50.0°C/°F) variable | | | |
| Proportional band(P) | | 0.1 to 999.9°C/°F | | | |
| Integral time(I) | | 0 to 9999 sec | | | |
| Derivative time(D) | | 0 to 9999 sec | | | |
| Control period(T) | | 0.5 to 120.0 sec | | | |
| Manual reset | | 0.0 to 100.0% | | | |
| Sampling period | | 50ms | | | |
| Dielectric strength | | 3,000VAC 50/60Hz for 1 min (between all terminals and case) | | | |
| Vibration | | 0.75mm amplitude at frequency 5 to 55Hz (for 1 min) in each X, Y, Z direction for 2 hours | | | |
| Relay life cycle | Mechanical | OUT, AL1/2: min. 5,000,000 operations | | | |
| | Electrical | OUT, AL1/2: min. 200,000 (250VAC 3A resistance load) | | | |
| Insulation resistance | | Over 100MΩ (at 500VDC megger) | | | |
| Noise immunity | | Square shaped noise by noise simulator (pulse width 1μs) ±2kV R-phase, S-phase | | | |
| Memory retention | | Approx. 10 years (non-volatile semiconductor memory type) | | | |
| Environment | Ambient temp. | -10 to 50°C, storage: -20 to 60°C | | | |
| | Ambient humi. | 35 to 85%RH, storage: 35 to 85%RH | | | |
| Protection structure | | IP50 (front panel, IEC standards) | | | |
| Insulation type | | Double insulation or reinforced insulation (mark:  , dielectric strength between primary circuit and secondary circuit: 3kV) | | | |
| Approval | |    | | | |
| Weight ^{※3} | | Approx. 146.1g (approx. 86.7g) | Approx. 233g (approx. 143g) | Approx. 214g (approx. 133g) | Approx. 290g (approx. 206g) |

※1: When using the unit at low temperature (below 0°C), display cycle is slow.

Control output operates normally.

※2: ○ At room temperature(23°C±5°C)

- TC R(PR), S(PR), below 200°C: (PV ±0.5% or ±3°C, select the higher one) ±1-digit
 , over 200°C: (PV ±0.5% or ±2°C, select the higher one) ±1-digit
- TC L(IC), RTD Cu50Ω: (PV ±0.5% or ±2°C, select the higher one) ±1-digit

○ Out of room temperature range

- TC R(PR), S(PR): (PV ±1.0% or ±5°C, select the higher one) ±1-digit
- TC L(IC), RTD Cu50Ω: (PV ±0.5% or ±3°C, select the higher one) ±1-digit

※3: The weight includes packaging. The weight in parenthesis is for unit only.

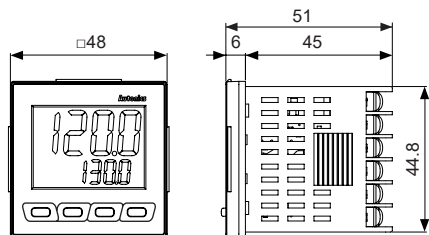
※Environment resistance is rated at no freezing or condensation.

LCD Display PID Control

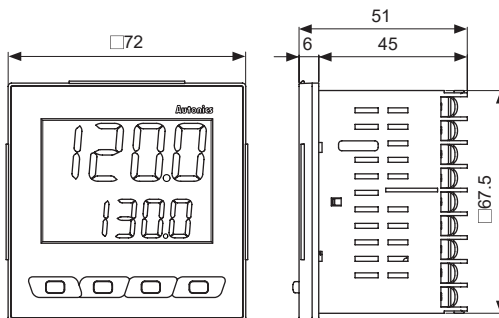
■ Dimensions

(unit: mm)

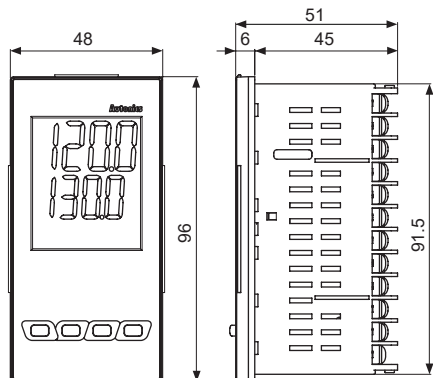
● TX4S



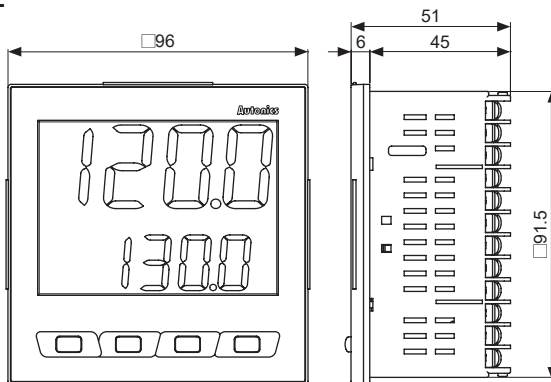
● TX4M



● TX4H

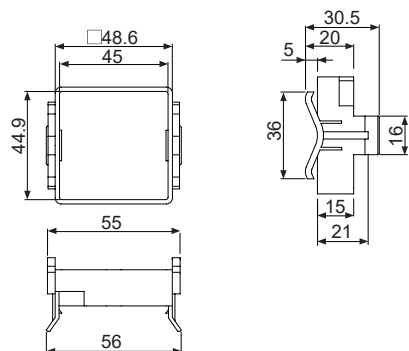


● TX4L

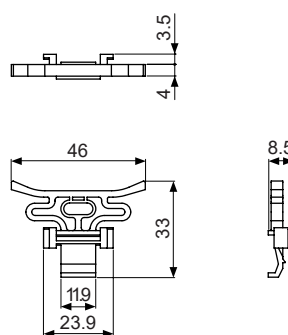


● Bracket

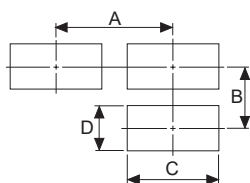
• TX4S Series



• TX4M/H/L Series



● Panel cut-out



(unit: mm)

| Model | Size | | | |
|-------|----------|----------|---------------------------------|---------------------------------|
| | A | B | C | D |
| TX4S | Min. 65 | Min. 65 | 45 ^{+0.6} ₀ | 45 ^{+0.6} ₀ |
| TX4M | Min. 90 | Min. 90 | 68 ^{+0.7} ₀ | 68 ^{+0.7} ₀ |
| TX4H | Min. 65 | Min. 115 | 45 ^{+0.6} ₀ | 92 ^{+0.8} ₀ |
| TX4L | Min. 115 | Min. 115 | 92 ^{+0.8} ₀ | 92 ^{+0.8} ₀ |

| |
|--------------------|
| SENSORS |
| FIELD INSTRUMENTS |
| CONTROLLERS |
| MOTION DEVICES |
| SOFTWARE |

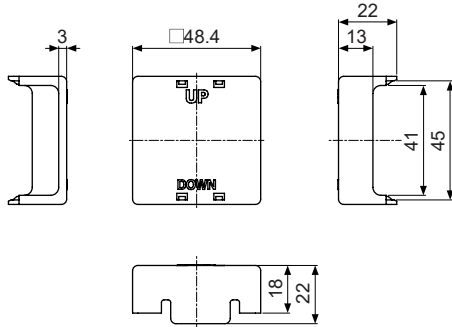
| |
|-----------------------------------|
| (A) Temperature Controllers |
| (B) SSRs |
| (C) Power Controllers |
| (D) Counters |
| (E) Timers |
| (F) Digital Panel Meters |
| (G) Indicators |
| (H) Converters |
| (I) Digital Display Units |
| (J) Sensor Controllers |
| (K) Switching Mode Power Supplies |
| (L) Recorders |
| (M) HMIs |
| (N) Industrial PC |
| (O) Field Network Devices |

TX Series

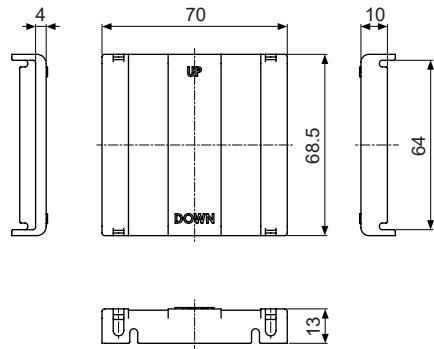
● Terminal cover (sold separately)

(unit: mm)

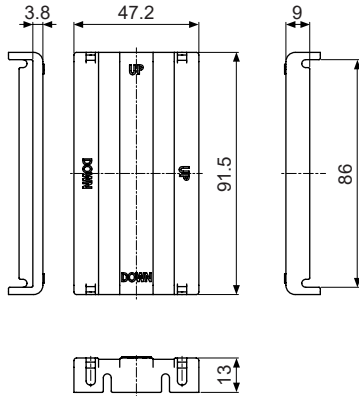
• RSA-COVER(48×48mm)



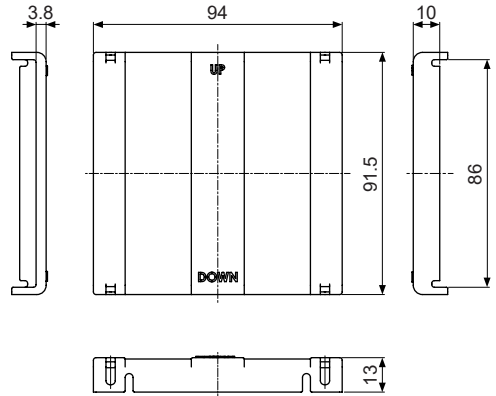
• RMA-COVER(72×72mm)



• RHA-COVER(48×96mm)

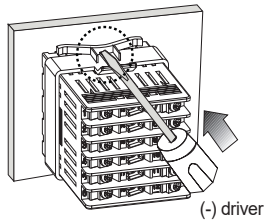


• RLA-COVER(96×96mm)

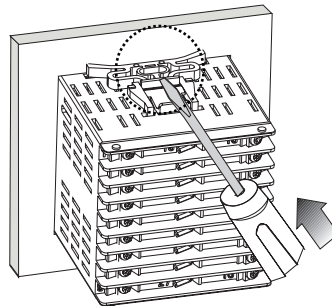


■ Product Mounting

● TX4S(48×48mm) series



● Other series





※Mount the unit on the panel. Push the bracket with tools to fix the unit as the figure.

LCD Display PID Control

■ Connections

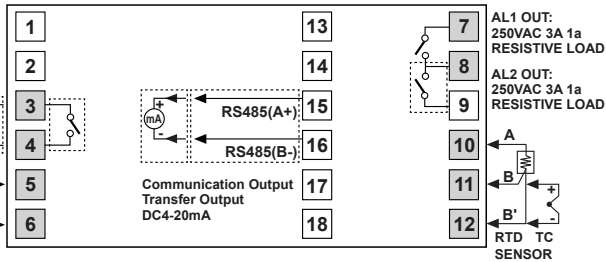
※Shaded terminals are standard model.

※Use terminals of size specified below.

| | | |
|---|---|---|
| |  |  |
| a | Min. 3.0mm | Min. 3.0mm |
| b | Max. 5.8mm | Max. 5.8mm |

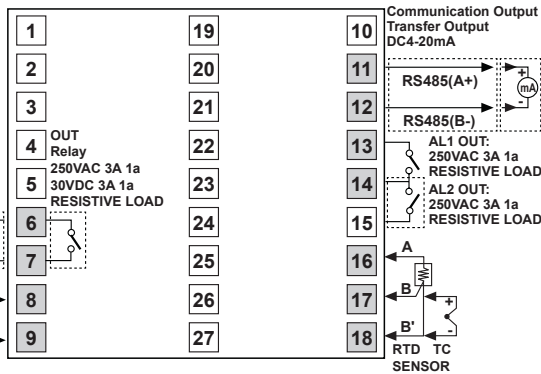
● TX4S series

OUT
SSR
12VDC±2V 20mA Max.
Current
DC0/4-20mA
Load 500ΩMax.
Relay
250VAC 3A 1a
30VDC 3A 1a
RESISTIVE LOAD
SOURCE
100-240VAC
50/60Hz 8VA



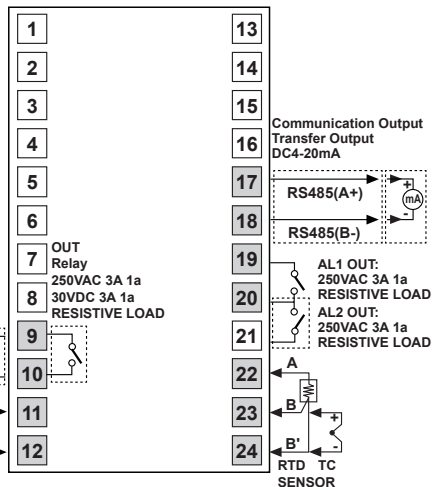
● TX4M series

OUT
Current
DC4-20mA
Load
500ΩMax.
SOURCE
100-240VAC
50/60Hz 8VA
OUT
SSR
13VDC±3V
20mA Max.
OUT
Relay
250VAC 3A 1a
30VDC 3A 1a
RESISTIVE LOAD



● TX4H / L series

OUT
Current
DC4-20mA
Load
500ΩMax.
SOURCE
100-240VAC
50/60Hz 8VA
OUT
SSR
13VDC±3V
20mA Max.
OUT
Relay
250VAC 3A 1a
30VDC 3A 1a
RESISTIVE LOAD



| |
|-----------------------------------|
| SENSORS |
| FIELD INSTRUMENTS |
| CONTROLLERS |
| MOTION DEVICES |
| SOFTWARE |
| (A) Temperature Controllers |
| (B) SSRs |
| (C) Power Controllers |
| (D) Counters |
| (E) Timers |
| (F) Digital Panel Meters |
| (G) Indicators |
| (H) Converters |
| (I) Digital Display Units |
| (J) Sensor Controllers |
| (K) Switching Mode Power Supplies |
| (L) Recorders |
| (M) HMIs |
| (N) Industrial PC |
| (O) Field Network Devices |

TX Series

■ Sold Separately

◎ Communication converter

- **SCM-WF48**
(Wi-Fi to RS485-USB wireless communication converter)
CE 




- **SCM-US48I**
(USB to RS485 converter)
CE 



- **SCM-38I**
(RS232C to RS485 converter)
CE 



- **SCM-US**
(USB to Serial converter)
CE 



- **EXT-US**
(converter cable)



◎ Display units (DS/DA-T Series)

- **DS/DA-T Series** CE
(RS485 communication input type display unit)



DS16-□T



DS22/DA22-□T



DS40/DA40-□T



DS60/DA60-□T

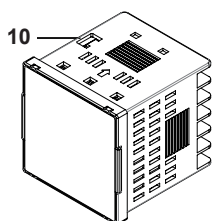
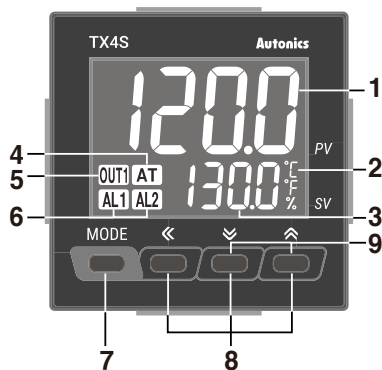
※Connect RS485 communication input type display unit (DS/DA-T Series) and RS485 communication output model of TX Series, the display unit displays present value of the device without PC/PLC.

■ Input Type and Range

| Input type | | Decimal point | Display | Input range(°C) | Input range(°F) |
|--------------|-----------|---------------|-----------|-----------------|-----------------|
| Thermocouple | K(CA) | 1 | K C A H | -50 to 1200 | -58 to 2192 |
| | | 0.1 | K C A L | -50.0 to 999.9 | -58.0 to 999.9 |
| | J(IC) | 1 | J I C H | -30 to 800 | -22 to 1472 |
| | | 0.1 | J I C L | -30.0 to 800.0 | -22.0 to 999.9 |
| | L(IC) | 1 | L I C H | -40 to 800 | -40 to 1472 |
| | | 0.1 | L I C L | -40.0 to 800.0 | -40.0 to 999.9 |
| | T(CC) | 1 | T C C H | -50 to 400 | -58 to 752 |
| | | 0.1 | T C C L | -50.0 to 400.0 | -58.0 to 752.0 |
| | R(PR) | 1 | R P R | 0 to 1700 | 32 to 3092 |
| | S(PR) | 1 | S P R | 0 to 1700 | 32 to 3092 |
| RTD | D Pt 100Ω | 1 | d P t . H | -100 to 400 | -148 to 752 |
| | | 0.1 | d P t . L | -100.0 to 400.0 | -148.0 to 752.0 |
| | Cu50Ω | 1 | C U 5 . H | -50 to 200 | -58 to 392 |
| | | 0.1 | C U 5 . L | -50.0 to 200.0 | -58.0 to 392.0 |

LCD Display PID Control

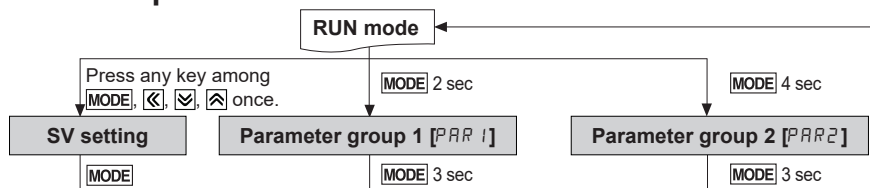
Unit Description



- 1. Measured value (PV) component:**
 RUN mode: Displays current measured value (PV).
 SETTING mode: Displays parameters.
- 2. Temperature unit(°C/°F) indicator:**
 Displays the set temperature unit as temperature unit [UNIT] of parameter group 2.
- 3. Setting value (SV) display component:**
 RUN mode: Displays setting value(SV).
 SETTING mode: Displays setting value of parameter.
- 4. Auto-tuning indicator:**
 Flashes during auto-tuning every 1 sec.
- 5. Control output (OUT1) indicator:**
 Turns ON while control output is ON.
 ※Turns ON when MV is over 3.0% at cycle/phase control of SSR drive output method.
- 6. Alarm output (AL1, AL2) indicator:**
 Turns ON when the corresponding alarm output turns ON.

- 7. [MODE] key:** Enters parameter group, returns to RUN mode, moves parameters, and saves the setting value.
- 8. Setting value adjustment key:** Enters SV setting mode and move digits.
- 9. Digital input key:**
 Press the [OK]+[ENT] keys for 3 sec to execute the digital input key functions which is set at digital input key [d1 - d4] of parameter group 2 (RUN/STOP, clear alarm output, auto-tuning).
- 10. PC loader port:**
 It is for serial communication to set parameter by DAQMaster installed in PC. Use this for connection EXT-US (converter cable, sold separately) + SCM-US (USB to Serial converter, sold separately).

Parameter Group



※Order of parameter setup **Parameter group 2** → **Parameter group 1** → **SV setting**

•All parameters are related one another. Set the parameters as above order.

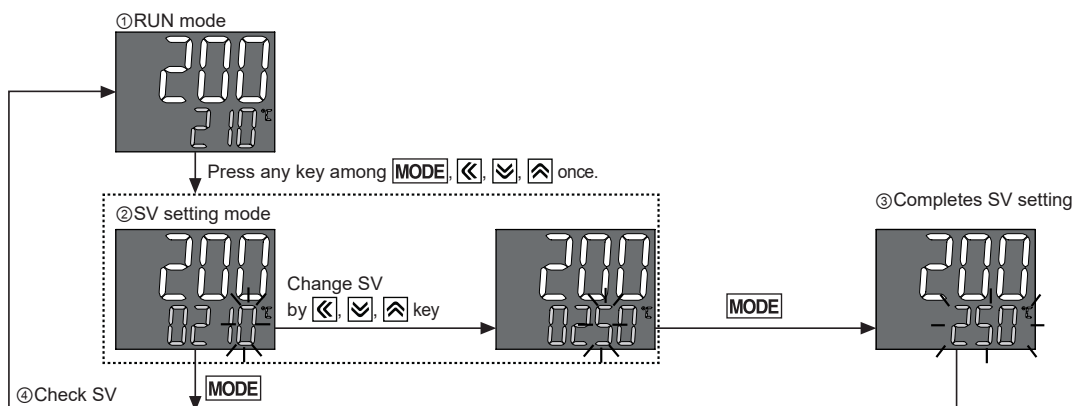
※If there is no key input for 30 sec while setting SV or the parameters, the new settings are ignored, and the unit will return to RUN mode with previous settings.

※When returning to RUN mode by holding the [MODE] key for over 3 sec, press the [MODE] key within 1 sec to re-enter the first parameter of previous parameter group.

※Hold the [OK]+[ENT] keys for 5 sec in RUN mode, to enter re-set parameter menu. Select 'RE5' and all parameters are reset as factory default.

• SV setting

※To change set temperature from 210°C to 250°C



※If there is no key input for 3 sec while setting SV, the new setting is applied and the unit will return to RUN mode.

SENSORS

FIELD INSTRUMENTS

CONTROLLERS

MOTION DEVICES

SOFTWARE

(A) Temperature Controllers

(B) SSRs

(C) Power Controllers

(D) Counters

(E) Timers

(F) Digital Panel Meters

(G) Indicators

(H) Converters

(I) Digital Display Units

(J) Sensor Controllers

(K) Switching Mode Power Supplies

(L) Recorders

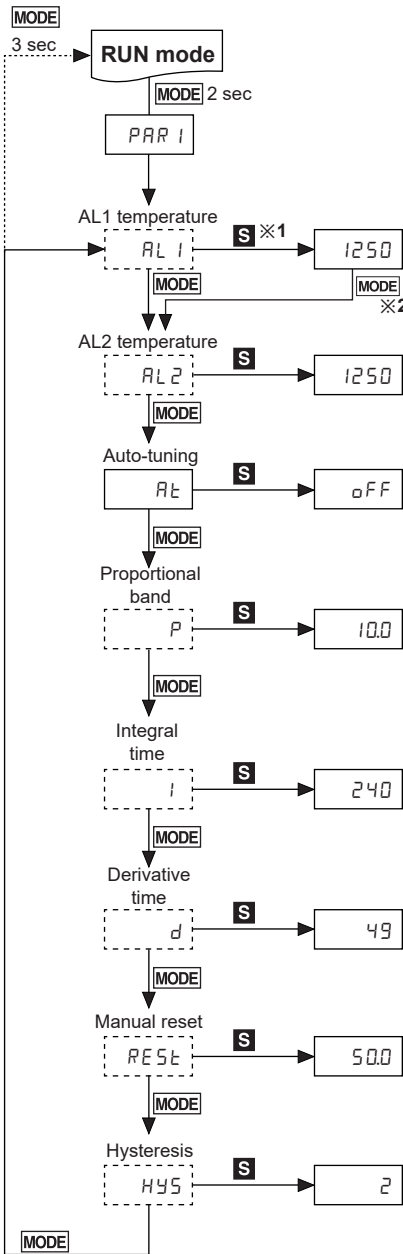
(M) HMIs

(N) Industrial PC

(O) Field Network Devices

TX Series

Parameter group 1



※1: **S**: Press any key among .

※2: Press the **MODE** key once after changing the setting value, to save the setting value and move to the next parameter

※Hold the **MODE** key for 3 sec to save the setting value and return to RUN mode after changing the setting value.

※: Dotted parameters may not appear by model type or other parameter settings.

Setting range: Deviation alarm(- [F.S] to [F.S]).
Absolute value alarm(temperature range)

※Does not appear when AL1/AL2 alarm operation [AL - 1, AL - 2] of parameter group 2 is set as $RM0_15bR□/LbR□$.

※Only alarm output 2 models have [AL 2].

※When setting as oN , the unit starts auto-tuning. After completing, oFF is automatically set.

※During auto-tuning, the auto-tuning indicator flashes (every 1 sec).

Setting range: 0.1 to 999.9°C/°F

Setting range: 0 to 9999 sec
※Integral operation will be OFF when the setting value is '0'

Setting range: 0 to 9999 sec
※Derivative operation will be OFF when the setting value is '0'

Setting range: 0.0 to 100.0%
※Only appears in P, PD control.

Setting range: 1 to 100°C/°F (0.1 to 50.0°C/°F)

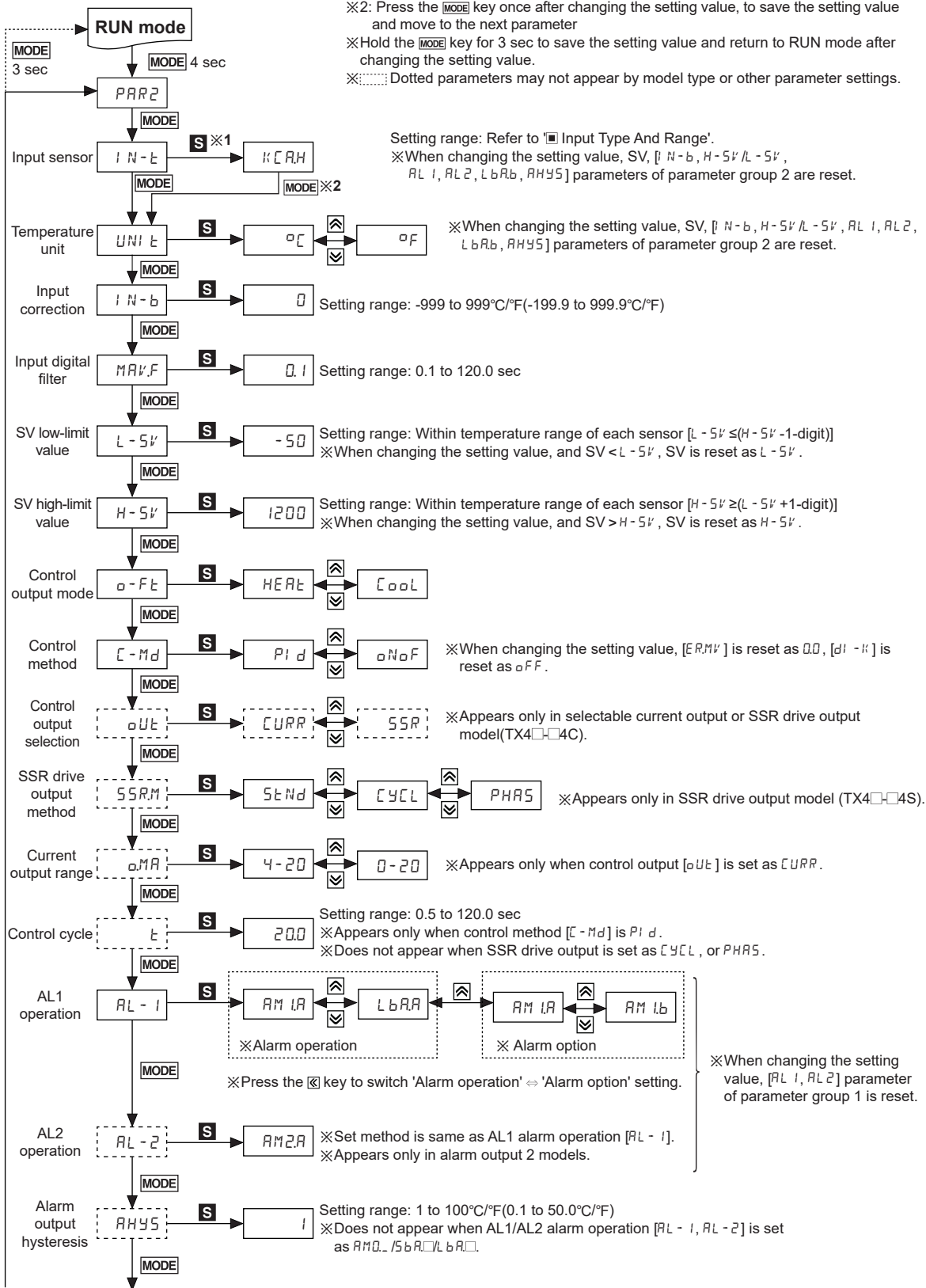
※Only appears when control method [C - Md] of parameter group 2 is set as $oH oF$.

※Only appears when control method [C - Md] of parameter group 2 is set as $Pt d$.

LCD Display PID Control

Parameter group 2

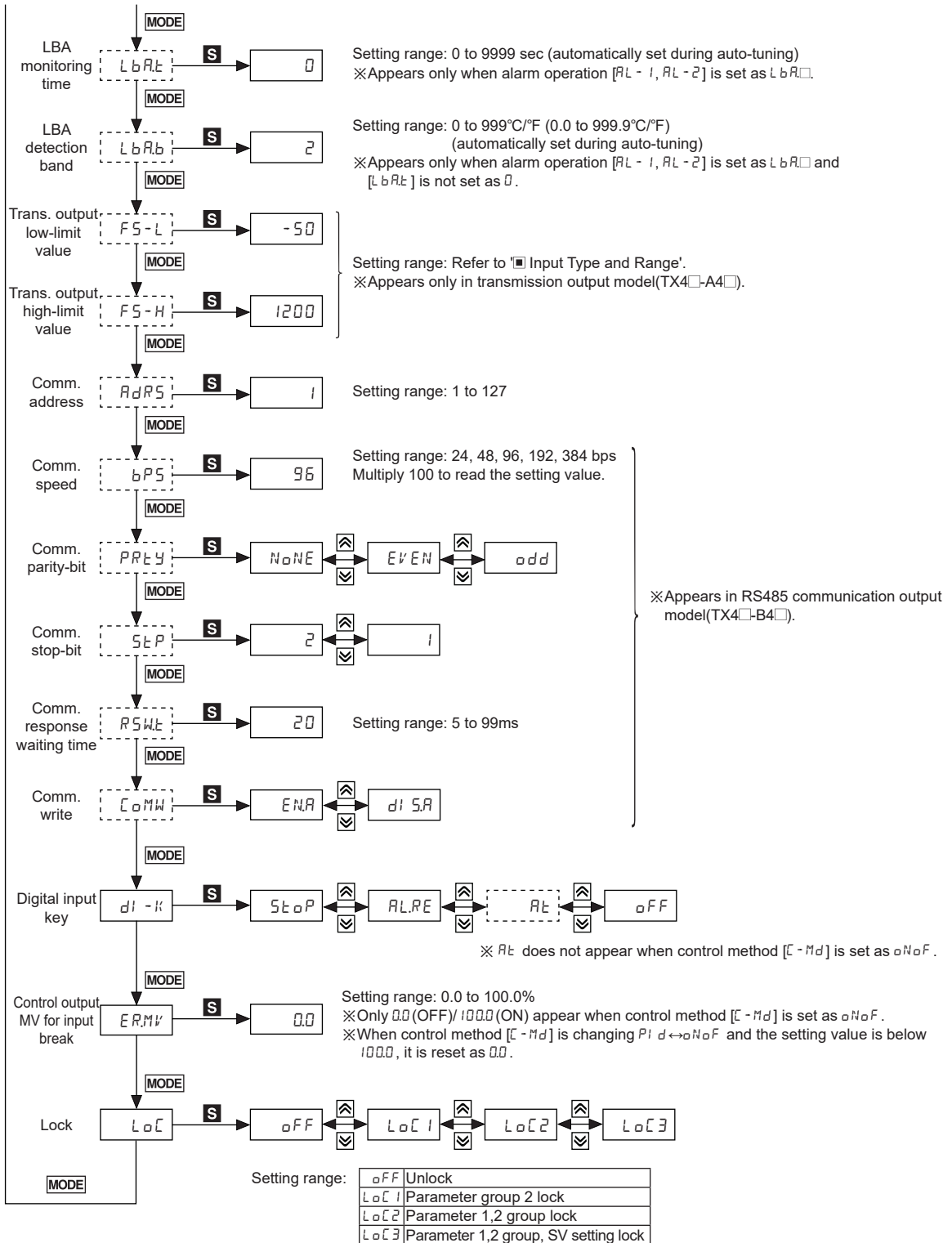
- ※1: **S**: Press any key among \square , \square , \square .
- ※2: Press the **MODE** key once after changing the setting value, to save the setting value and move to the next parameter
- ※Hold the **MODE** key for 3 sec to save the setting value and return to RUN mode after changing the setting value.
- ※: Dotted parameters may not appear by model type or other parameter settings.



| |
|-------------------|
| SENSORS |
| FIELD INSTRUMENTS |
| CONTROLLERS |
| MOTION DEVICES |
| SOFTWARE |

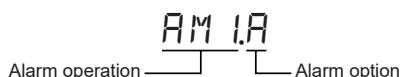
| |
|-----------------------------------|
| (A) Temperature Controllers |
| (B) SSRs |
| (C) Power Controllers |
| (D) Counters |
| (E) Timers |
| (F) Digital Panel Meters |
| (G) Indicators |
| (H) Converters |
| (I) Digital Display Units |
| (J) Sensor Controllers |
| (K) Switching Mode Power Supplies |
| (L) Recorders |
| (M) HMIs |
| (N) Industrial PC |
| (O) Field Network Devices |

TX Series



LCD Display PID Control

Alarm



Set both alarm operation and alarm option by combining. Each alarm operates individually in two alarm output models. When the current temperature is out of alarm range, alarm clears automatically. If alarm option is alarm latch or alarm latch and standby sequence 1/2, press digital input key (☑+☒) 3 sec, digital input key [d1 - k] of parameter group 2 set as $R_{L.PE}$, or turn OFF the power and turn ON to clear alarm.

Alarm operation

| Mode | Name | Alarm operation | Description |
|----------|--|-----------------|---|
| R_{M0} | — | — | No alarm output |
| R_{M1} | Deviation high-limit alarm | | If deviation between PV and SV as high-limit is higher than set value of deviation temperature, the alarm output will be ON. |
| R_{M2} | Deviation low-limit alarm | | If deviation between PV and SV as low-limit is higher than set value of deviation temperature, the alarm output will be ON. |
| R_{M3} | Deviation high/low-limit alarm | | If deviation between PV and SV as high/low-limit is higher than set value of deviation temperature, the alarm output will be ON. |
| R_{M4} | Deviation high/low-limit reserve alarm | | If deviation between PV and SV as high/low-limit is higher than set value of deviation temperature, the alarm output will be OFF. |
| R_{M5} | Absolute value high limit alarm | | If PV is higher than the absolute value, the output will be ON. |
| R_{M6} | Absolute value low limit alarm | | If PV is lower than the absolute value, the output will be ON. |
| S_{bA} | Sensor break alarm | — | It will be ON when it detects sensor disconnection. |
| L_{bA} | Loop break alarm | — | It will be ON when it detects loop break. |

※ H: Alarm output hysteresis [R_{M35}]

Alarm option

| Option | Name | Description |
|-----------|------------------------------------|--|
| $R_{M0}a$ | Standard alarm | If it is an alarm condition, alarm output is ON. If it is a clear alarm condition, alarm output is OFF. |
| $R_{M0}b$ | Alarm latch | If it is an alarm condition, alarm output is ON and maintains ON status. (Alarm output HOLD) |
| $R_{M0}c$ | Standby sequence 1 | First alarm condition is ignored and from second alarm condition, standard alarm operates. When power is supplied and it is an alarm condition, this first alarm condition is ignored and from the second alarm condition, standard alarm operates. |
| $R_{M0}d$ | Alarm latch and standby sequence 1 | If it is an alarm condition, it operates both alarm latch and standby sequence. When power is supplied and it is an alarm condition, this first alarm condition is ignored and from the second alarm condition, alarm latch operates. |
| $R_{M0}e$ | Standby sequence 2 | First alarm condition is ignored and from second alarm condition, standard alarm operates. When re-applied standby sequence and if it is alarm condition, alarm output does not turn ON. After clearing alarm condition, standard alarm operates. |
| $R_{M0}f$ | Alarm latch and standby sequence 2 | Basic operation is same as alarm latch and standby sequence 1. It operates not only by power ON/OFF, but also alarm setting value, or alarm option changing. When re-applied standby sequence and if it is alarm condition, alarm output does not turn ON. After clearing alarm condition, alarm latch operates. |

※ Condition of re-applied standby sequence for standby sequence 1, alarm latch and standby sequence 1: Power ON
 Condition of re-applied standby sequence for standby sequence 2, alarm latch and standby sequence 2: Power ON, changing set temperature, alarm temperature [R_{L1}, R_{L2}] or alarm operation [R_{L-1}, R_{L-2}], switching STOP mode to RUN mode.

SENSORS

FIELD INSTRUMENTS

CONTROLLERS

MOTION DEVICES

SOFTWARE

(A) Temperature Controllers

(B) SSRs

(C) Power Controllers

(D) Counters

(E) Timers

(F) Digital Panel Meters

(G) Indicators

(H) Converters

(I) Digital Display Units

(J) Sensor Controllers

(K) Switching Mode Power Supplies

(L) Recorders

(M) HMIs

(N) Industrial PC

(O) Field Network Devices

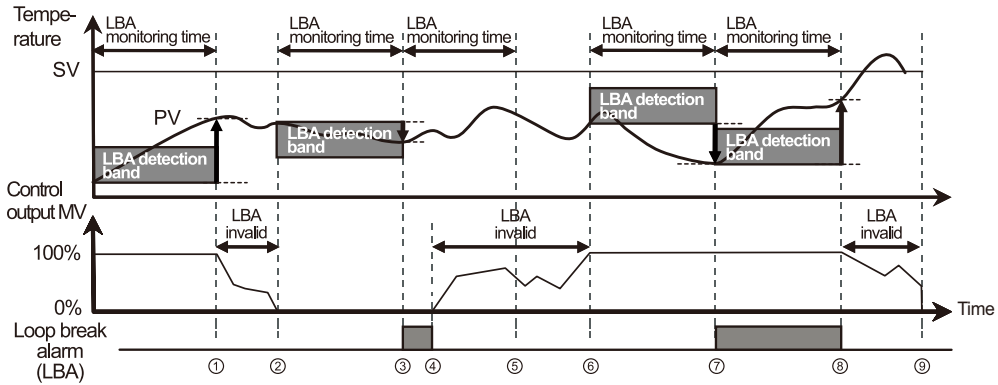
TX Series

• Sensor break alarm

The function that alarm output will be ON when sensor is not connected or when sensor's disconnection is detected during temperature controlling. You can check whether the sensor is connected with buzzer or other units using alarm output contact. It is selectable between standard alarm [5bRR] or alarm latch [5bRb].

• Loop break alarm(LBA)

It checks control loop and outputs alarm by temperature change of the subject. For heating control(cooling control), when control output MV is 100%(0% for cooling control) and PV is not increased over than LBA detection band [LbRb] during LBA monitoring time [LbRt], or when control output MV is 0%(100% for cooling control) and PV is not decreased below than LBA detection band [LbRb] during LBA monitoring time [LbRt], alarm output turns ON.



| | |
|--------------------|--|
| Start control to ① | When control output MV is 100%, PV is increased over than LBA detection band [LbRb] during LBA monitoring time [LbRt]. |
| ① to ② | The status of changing control output MV (LBA monitoring time is reset.) |
| ② to ③ | When control output MV is 0% and PV is not decreased below than LBA detection band [LbRb] during LBA monitoring time [LbRt], loop break alarm (LBA) turns ON after LBA monitoring time. |
| ③ to ④ | Control output MV is 0% and loop break alarm (LBA) turns and maintains ON. |
| ④ to ⑥ | The status of changing control output MV (LBA monitoring time is reset.) |
| ⑥ to ⑦ | When control output MV is 100% and PV is not increased over than LBA detection band [LbRb] during LBA monitoring time [LbRt], loop break alarm (LBA) turns ON after LBA monitoring time. |
| ⑦ to ⑧ | When control output MV is 100% and PV is increased over than LBA detection band [LbRb] during LBA monitoring time [LbRt], loop break alarm (LBA) turns OFF after LBA monitoring time. |
| ⑧ to ⑨ | The status of changing control output MV (LBA monitoring time is reset.) |

※When executing auto-tuning, LBA detection band [LbRb] and LBA monitoring time are automatically set based on auto tuning value. When alarm operation mode [RL-1, RL-2] is set as loop break alarm(LBA) [LbR□], LBA detection band [LbRb] and LBA monitoring time [LbRt] parameter is displayed.

■ Functions

● Input correction [I N - b]

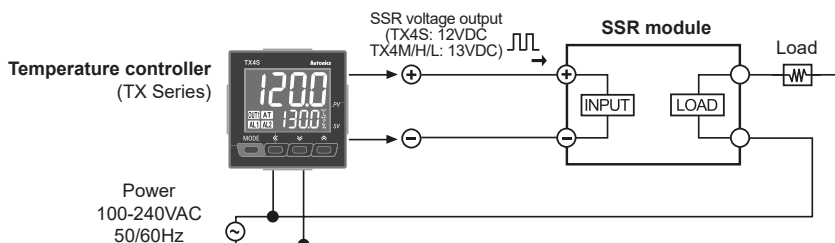
Controller itself does not have errors but there may be error by external input temperature sensor. This function is for correcting this error. E.g.) If actual temperature is 80°C but controller displays 78°C, set input correction value [I N - b] as '2' and controller displays 80°C. ※As the result of input correction, if current temperature value (PV) is over each temperature range of input sensor, it displays HHHH or LLLL.

● Input digital filter [M R V F]

If current temperature (PV) is fluctuating repeatedly by rapid change of input signal, it reflects to MV and stable control is impossible. Therefore, digital filter function stabilizes current temperature value. For example, set input digital filter value as 0.4 sec, and it applies digital filter to input values during 0.4 sec and displays these values. Current temperature may be different by actual input value.

● SSR drive output method (SSRP function) [5 5 R M]

- SSRP function is selectable one of standard ON/OFF control, cycle control, phase control by utilizing standard SSR drive output.
- This function parameter appears only in SSR drive output model (TX4□□4S).
- Realizing high accuracy and cost effective temperature control with both current output (4-20mA) and linear output(cycle control and phase control)
- Select one of standard ON/OFF control [5 t N d], cycle control [C Y C L], phase control [P H A S] at 5 5 R M parameter of parameter group 2. For cycle control, connect a zero cross turn-on SSR or random turn-on SSR. For phase control, connect random turn-on SSR.

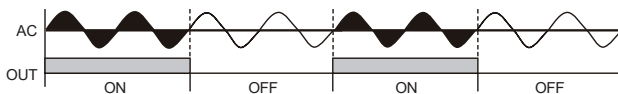


※When selecting cycle or phase control mode, **the power supply for a load and a temperature controller must be the same.**

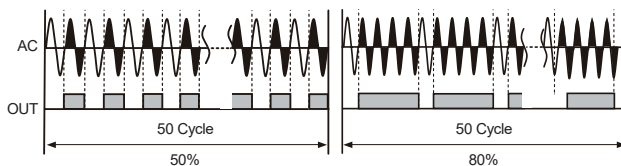
※Control cycle [t] is able to set only when control method [C - M d] of parameter group 2 is set as P i d and SSR drive output method [5 5 R M] is set as 5 t N d.

※In case of selectable current output or SSR drive output model(TX4□□4C), this parameter does not appear. Standard ON/OFF control by SSR is only available.

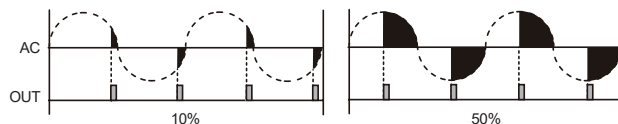
1) Standard ON/OFF control [5 t N d]
Controls ON (100% output)/OFF (0% output) as same as standard relay output.



2) Cycle control [C Y C L]
Controls the load by repeating output ON / OFF according to the rate of output within setting cycle based on certain period (50-cycle).
Control accuracy is almost the same with phase control's.
This control has improved ON/OFF noise than phase control's due to zero cross type which turns ON/OFF at zero point of AC.



3) Phase control [P H A S]
Controls the load by controlling the phase within AC half cycle. Serial control is available.
Must use random turn-on SSR for this mode.

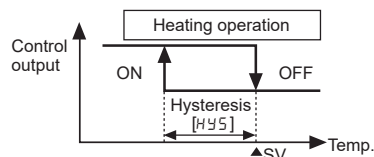


● Current output range [o M R]

In case of selectable current output or SSR drive output model(TX4S-□4C), when control output [o U t] parameter group 2 is set as [C U R R], you can select high/low-limit range, 4-20mA [4 - 2 0] or 0-20mA [0 - 2 0] of current output.

● Hysteresis [H Y S]

- Set interval between ON and OFF of control output for ON/OFF control.
- If hysteresis is too narrow, hunting(oscillation, chattering) could occur due to external noise.
- In case of ON / OFF control mode, even if PV reaches stable status, there still occurs hunting. It could be due to hysteresis [H Y S] setting value, load's response characteristics or sensor's location. In order to reduce hunting to a minimum, it is required to take into following factors consideration when designing temp. controlling; proper Hysteresis [H Y S], heater's capacity, thermal characteristics, sensor's response and location.



| |
|-------------------|
| SENSORS |
| FIELD INSTRUMENTS |
| CONTROLLERS |
| MOTION DEVICES |
| SOFTWARE |

| |
|-----------------------------------|
| (A) Temperature Controllers |
| (B) SSRs |
| (C) Power Controllers |
| (D) Counters |
| (E) Timers |
| (F) Digital Panel Meters |
| (G) Indicators |
| (H) Converters |
| (I) Digital Display Units |
| (J) Sensor Controllers |
| (K) Switching Mode Power Supplies |
| (L) Recorders |
| (M) HMIs |
| (N) Industrial PC |
| (O) Field Network Devices |

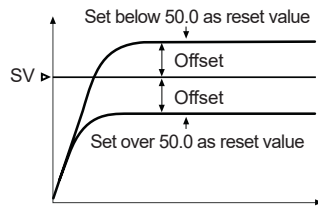
TX Series

● Manual reset [RESE]

When selecting P/PD control mode, certain temperature difference exists even after PV reaches stable status because heater's rising and falling time is inconsistent due to thermal characteristics of controlled objects, such as heat capacity, heater capacity. This temperature difference is called offset and manual reset [RESE] function is to set/correct offset.

When PV and SV are equal, reset value is 50.0%. After control is stable, PV is lower than SV, reset value is over 50.0% or PV is higher than SV, reset value is below 50.0%.

● Manual reset [RESE] by control result



● Digital input key [DI-K] (3 sec)

| Parameter | Operation |
|-------------|--|
| OFF | oFF It does not use digital input key function. |
| RUN/STOP | Stops control output. Auxiliary output (except loop break alarm, sensor break alarm) except Control output operates as setting. Hold the digital input keys for 3 sec to restart. |
| Clear alarm | RLRE Clears alarm output by force. (only when alarm option is alarm latch, or alarm latch and standby sequence 1/2.) This function is applied when present value is out of alarm operation range but alarm output is ON. Alarm operates normally right after clearing alarm. |
| Auto-tuning | Rt Starts/Stops auto-tuning. This function is same as auto-tuning [Rt] of parameter group 1. (You can start auto-tuning [Rt] of parameter group 1 and stop it by digital input key.) ※ This parameter Rt appears only when control method [C-Md] parameter group 2 is set as PID. When control method [C-Md] parameter group 2 is set as oN oF, this parameter is changed as oFF. |

● Control output MV for input break [ERMV]

When input sensor is break, set control output MV.

When control method [C-Md] of parameter group 2 is set as oN oF, set control output MV as 00 (OFF) or 1000 (ON). When control method [C-Md] is set as PID, setting range for control output MV is 00 to 1000.

■ Communication Setting

It is for parameter setting and monitoring via external devices (PC, PLC, etc.).

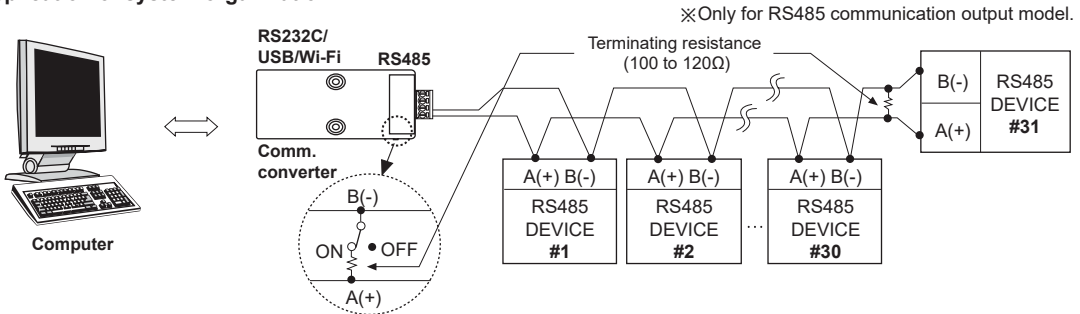
Applicable for models with RS485 communication output through option output (TX4□-B4□).

Please refer to 'Ordering Information'.

● Interface

| | | | |
|-----------------------|-------------------------------|-----------------------|--|
| Comm. protocol | Modbus RTU | Comm. speed | 4800, 9600 (default), 19200, 38400, 115200 bps |
| Connection type | RS485 | Response waiting time | 5 to 99ms (default: 20ms) |
| Application standard | EIA RS485 Compliance with | Start bit | 1bit (fixed) |
| Max. connection | 32 units (address: 01 to 127) | Data bit | 8bit (fixed) |
| Synchronous method | Asynchronous | Parity bit | None (default), Odd, Even |
| Comm. method | Two-wire half duplex | Stop bit | 1bit, 2bit (default) |
| Comm. effective range | Max. 800m | | |

● Application of system organization



※ It is recommended to use Autonics communication converter; SCM-WF48 (Wi-Fi to RS485-USB wireless communication converter, sold separately), SCM-US48I (USB to RS485 converter, sold separately), SCM-38I (RS232C to RS485 converter, sold separately).

Please use twisted pair wire, which is suitable for RS485 communication, for SCM-WF48, SCM-US48I and SCM-38I.

LCD Display PID Control

■ Factory Default

● SV setting

| Parameter | Factory default |
|-----------|-----------------|
| — | 0 |

● Parameter group 1

| Parameter | Factory default |
|-----------|-----------------|
| RL1 | 1250 |
| RL2 | |
| Rt | OFF |
| P | 10.0 |
| I | 240 |
| d | 49 |
| RESET | 50.0 |
| HYS | 2 |

● Parameter group 2

| Parameter | Factory default | Parameter | Factory default |
|-----------|-----------------|-----------|-----------------|
| IN-L | KCRH | RHYS | 1 |
| UNI t | °C | LbARt | 0 |
| IN-b | 0 | LbARb | 2 |
| MAVF | 0.1 | FS-L | -50 |
| L-SV | -50 | FS-H | 1200 |
| H-SV | 1200 | AdRS | 1 |
| o-Flt | HEARt | bPS | 96 |
| C-Md | PI d | PRtY | NONE |
| oUt | CURR | StP | 2 |
| SSRM | StNd | RSWt | 20 |
| oMR | 4-20 | CoMH | ENR |
| t | 20.0(Relay) | di-k | StoP |
| | 2.0(SSR time) | ERMV | 0.0 |
| RL-1 | RM1R | LoC | OFF |
| RL-2 | RM2R | | |

■ Error

| Display | Description | Troubleshooting |
|---------|---|--|
| oPEN | Flashes when input sensor is disconnected or sensor is not connected. | Check input sensor status. |
| HHHH | Flashes when measured value is higher than input range. | When input is within the rated input range, this display disappears. |
| LLLL | Flashes when measured value is lower than input range. | |

■ Proper Usage

◎ Cautions during use

- Follow instructions in 'Cautions during Use'. Otherwise, It may cause unexpected accidents.
- Check the polarity of the terminals before wiring the temperature sensor.
For RTD temperature sensor, wire it as 3-wire type, using cables in same thickness and length.
For thermocouple (CT) temperature sensor, use the designated compensation wire for extending wire.
- Keep away from high voltage lines or power lines to prevent inductive noise.
In case installing power line and input signal line closely, use line filter or varistor at power line and shielded wire at input signal line.
Do not use near the equipment which generates strong magnetic force or high frequency noise.
- Do not apply excessive power when connecting or disconnecting the connectors of the product.
- Install a power switch or circuit breaker in the easily accessible place for supplying or disconnecting the power.
- Do not use the unit for other purpose (e.g. voltmeter, ammeter), but temperature controller.
- When changing the input sensor, turn off the power first before changing.
After changing the input sensor, modify the value of the corresponding parameter.
- Do not overlapping communication line and power line.
Use twisted pair wire for communication line and connect ferrite bead at each end of line to reduce the effect of external noise.
- Make a required space around the unit for radiation of heat.
For accurate temperature measurement, warm up the unit over 20 min after turning on the power.
- Make sure that power supply voltage reaches to the rated voltage within 2 sec after supplying power.
- Do not wire to terminals which are not used.
- This unit may be used in the following environments.
 - ① Indoors (in the environment condition rated in 'Specifications')
 - ② Altitude max. 2,000m
 - ③ Pollution degree 2
 - ④ Installation category II

| |
|-----------------------------------|
| SENSORS |
| FIELD INSTRUMENTS |
| CONTROLLERS |
| MOTION DEVICES |
| SOFTWARE |
| (A) Temperature Controllers |
| (B) SSRs |
| (C) Power Controllers |
| (D) Counters |
| (E) Timers |
| (F) Digital Panel Meters |
| (G) Indicators |
| (H) Converters |
| (I) Digital Display Units |
| (J) Sensor Controllers |
| (K) Switching Mode Power Supplies |
| (L) Recorders |
| (M) HMIs |
| (N) Industrial PC |
| (O) Field Network Devices |