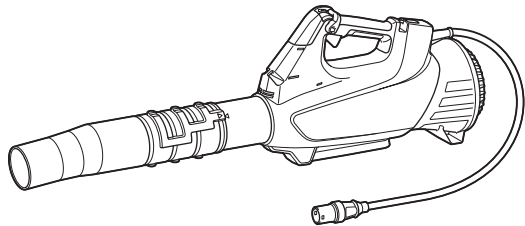
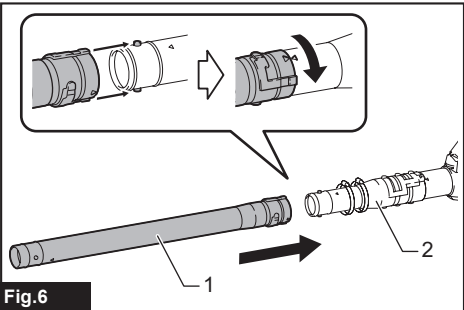
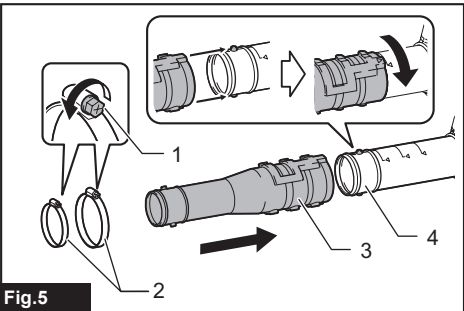
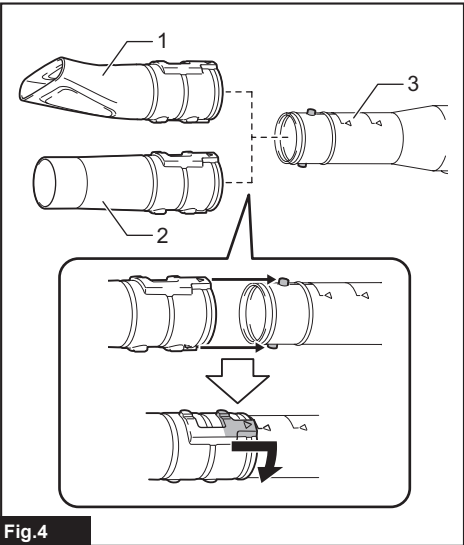
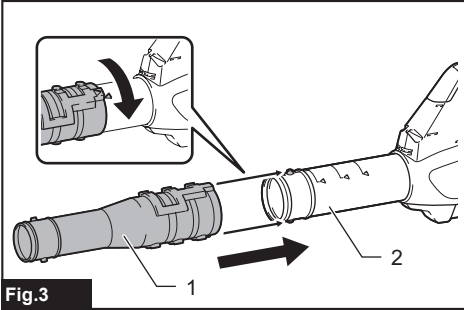
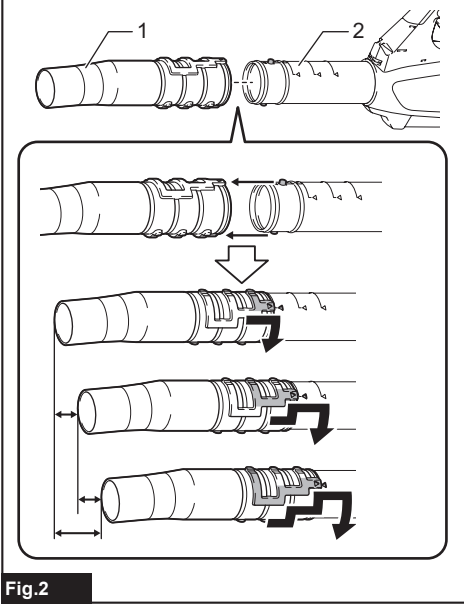
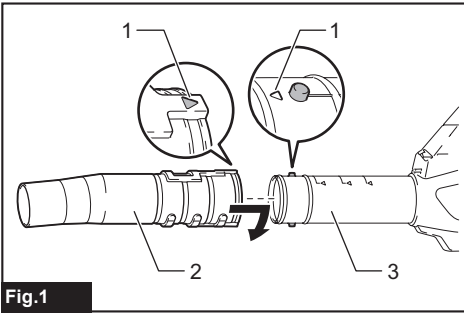




EN	Battery Powered Blower	INSTRUCTION MANUAL	9
ZHCN	充电式吹风机	使用说明书	17
ID	Blower Tenaga Baterai	PETUNJUK PENGGUNAAN	26
MS	Penghembus Berkuasa Bateri	MANUAL ARAHAN	35
VI	Máy Thổi Cầm Tay Hoạt Động Bằng Pin	TÀI LIỆU HƯỚNG DẪN	44
TH	เครื่องเป่าลมพลังงานแบตเตอรี่	คู่มือการใช้งาน	52

UB001C





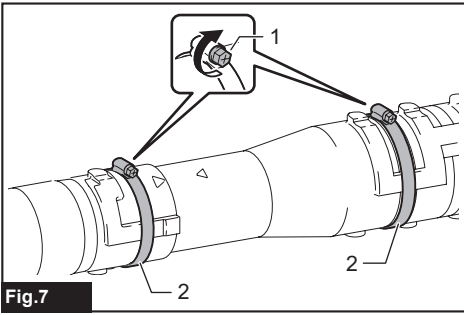


Fig. 7

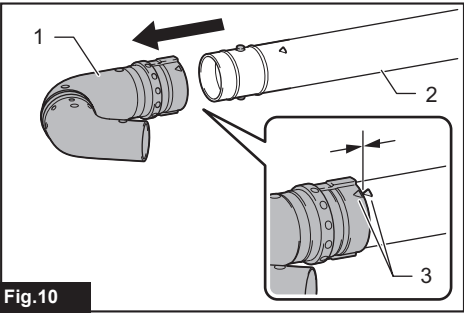


Fig. 10

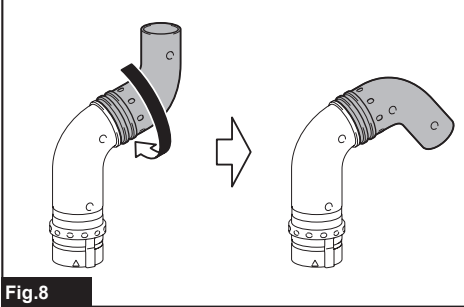


Fig. 8

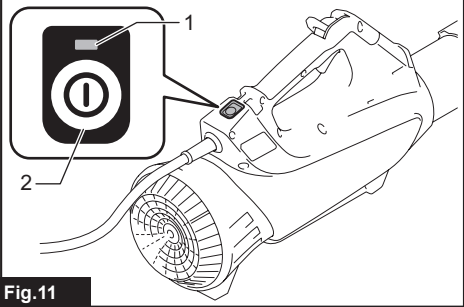


Fig. 11

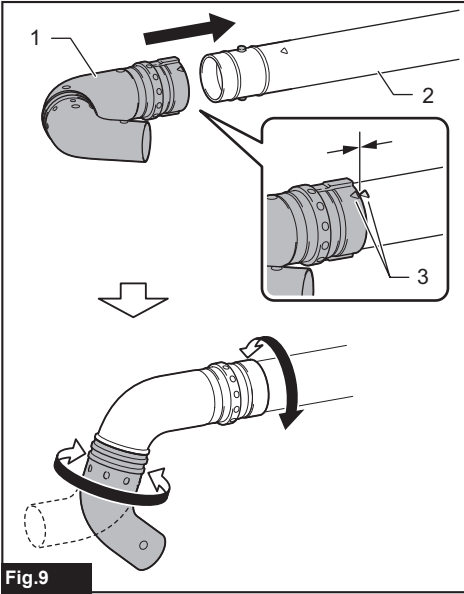


Fig. 9

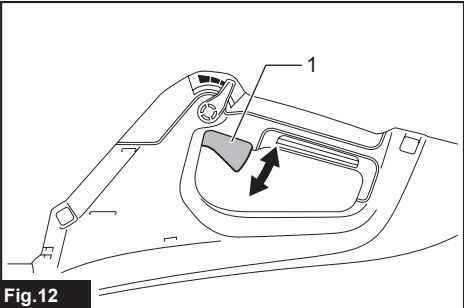


Fig. 12

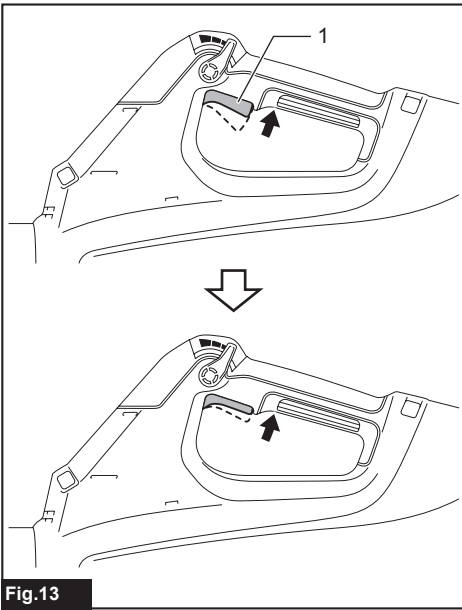


Fig.13

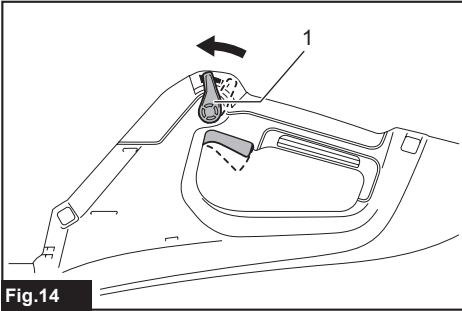


Fig.14

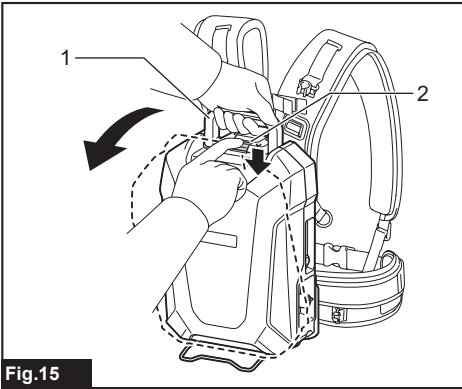


Fig.15

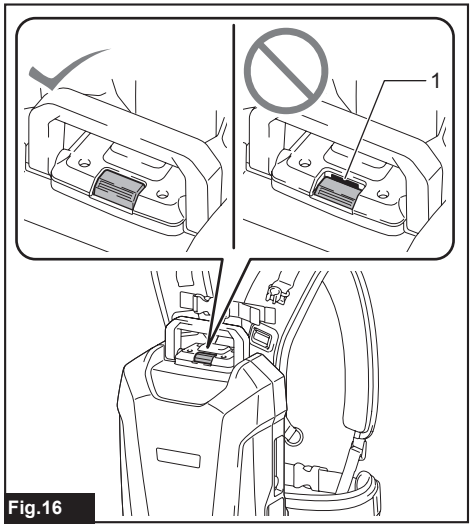


Fig.16

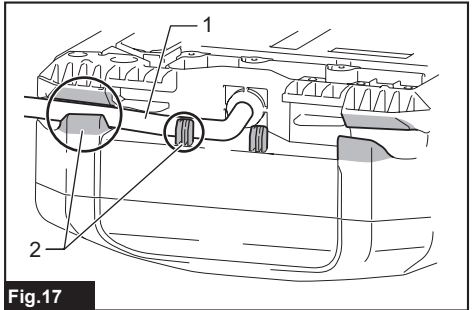


Fig.17

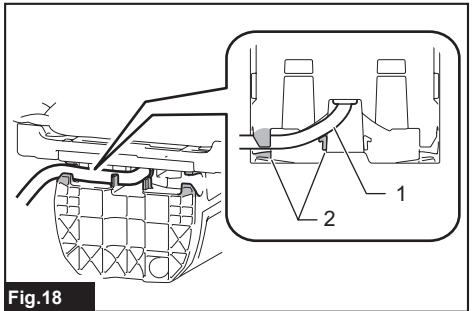


Fig.18

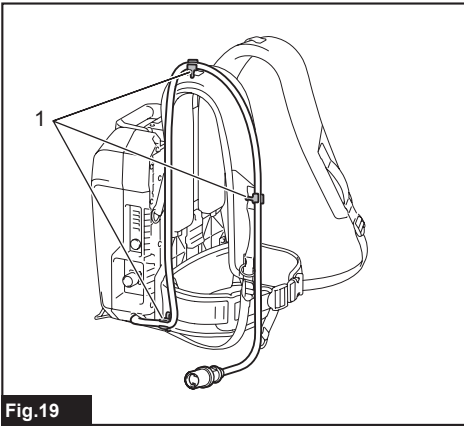


Fig.19

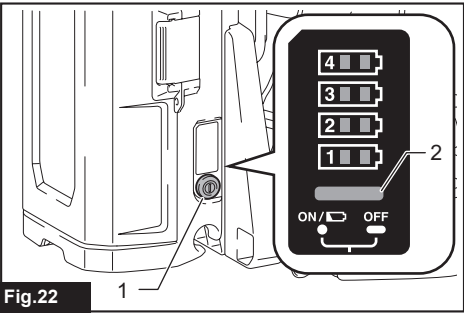


Fig.22

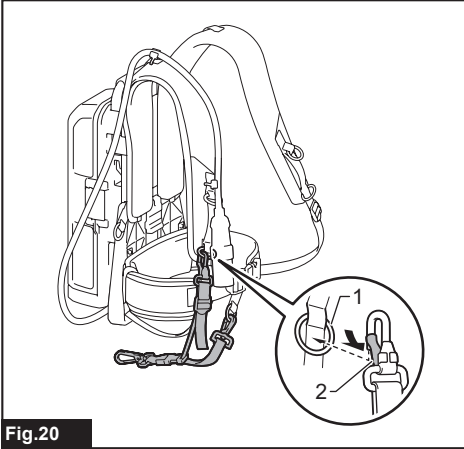


Fig.20



Fig.23

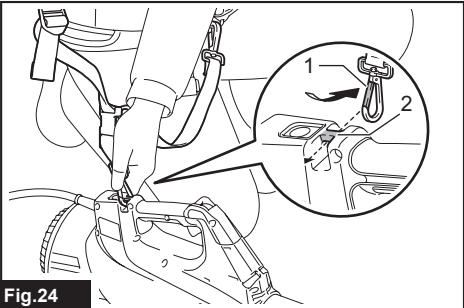


Fig.24

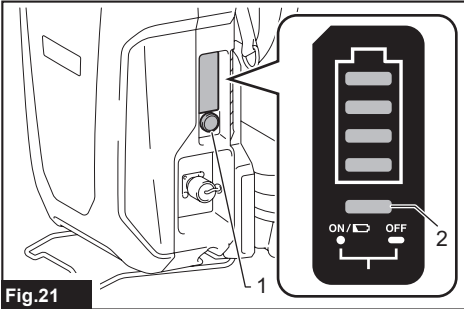


Fig.21

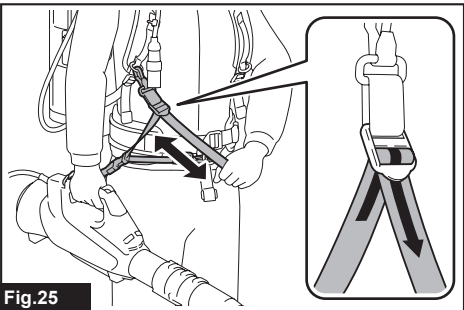


Fig.25

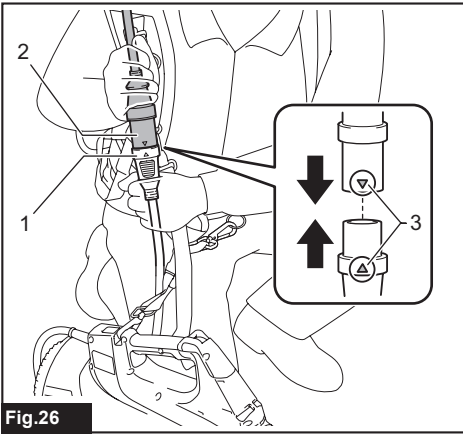


Fig.26

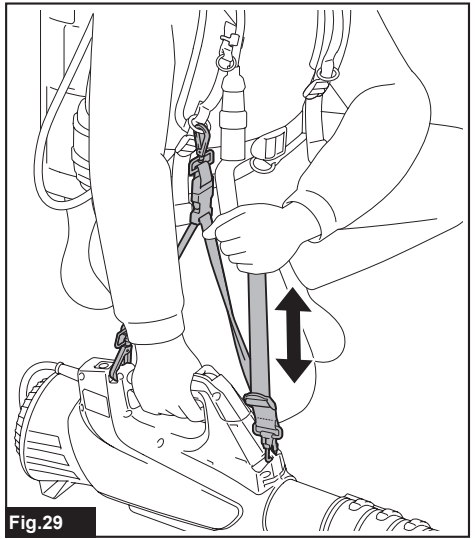


Fig.29

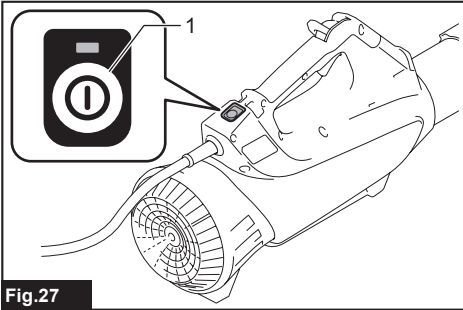


Fig.27

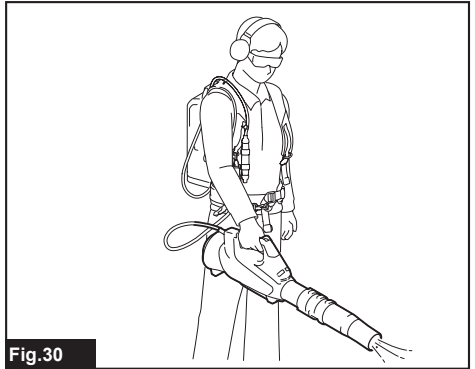


Fig.30

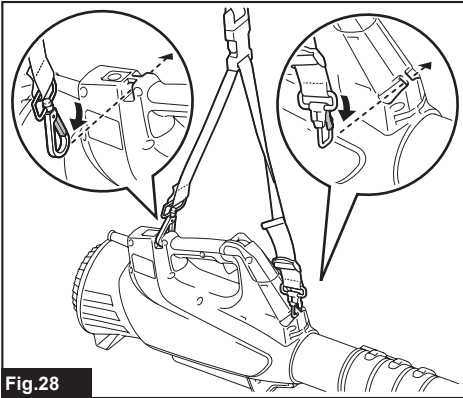


Fig.28

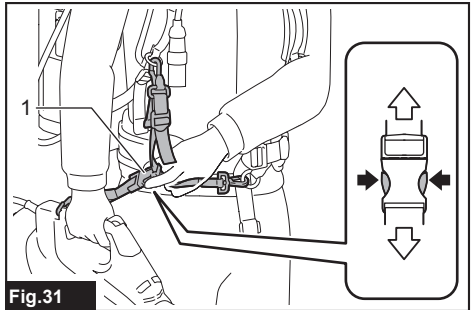


Fig.31

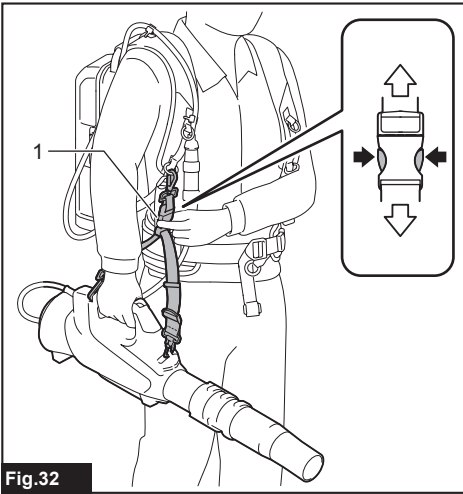


Fig.32

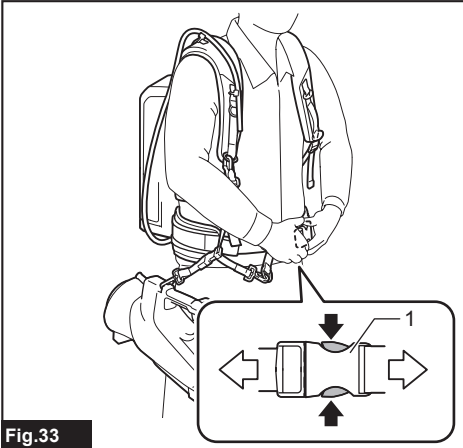


Fig.33

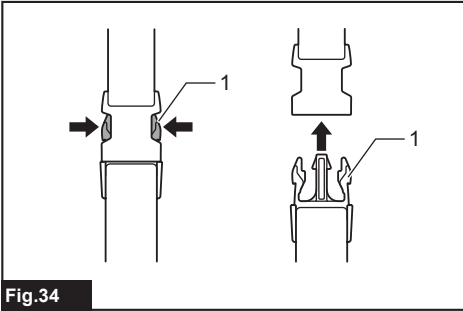


Fig.34

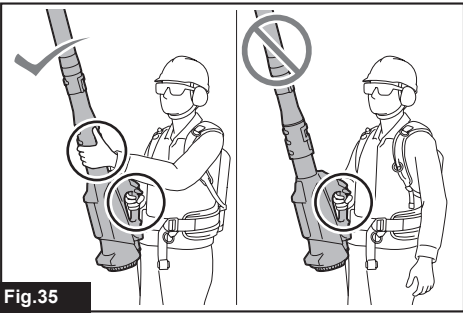


Fig.35

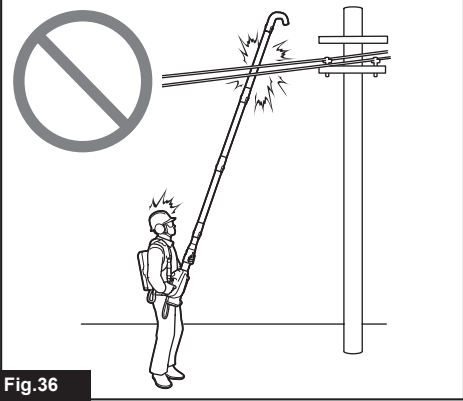


Fig.36

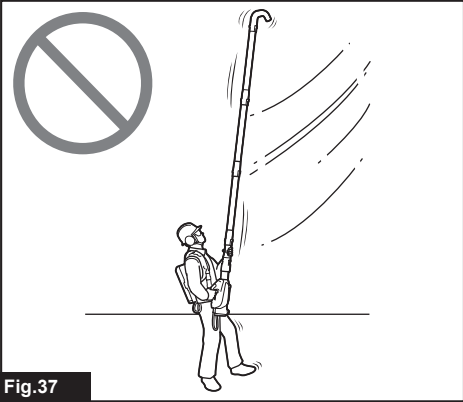


Fig.37

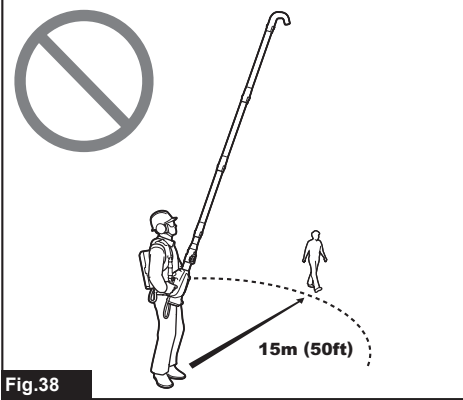


Fig.38

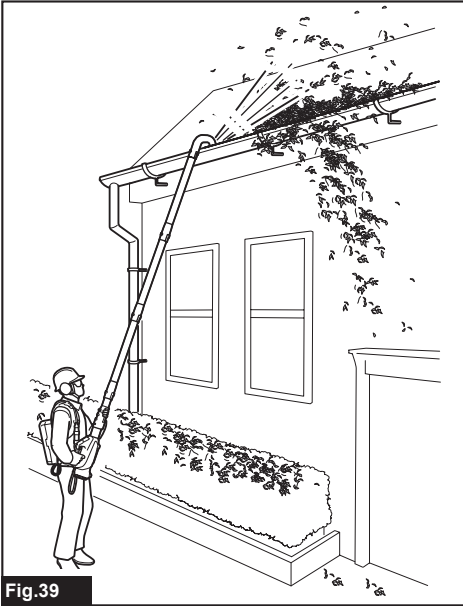


Fig.39

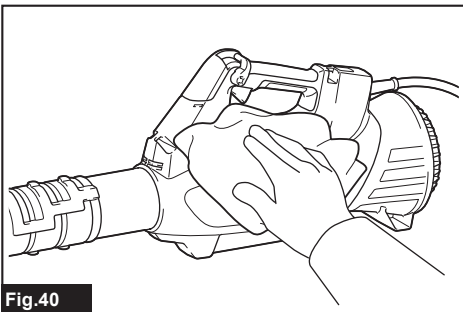


Fig.40

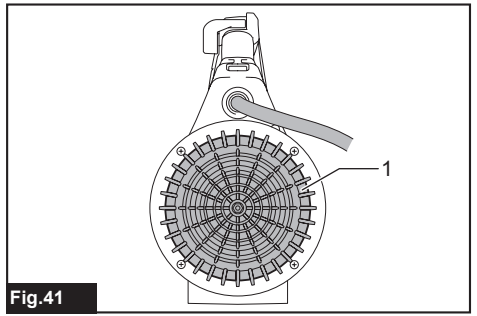


Fig.41

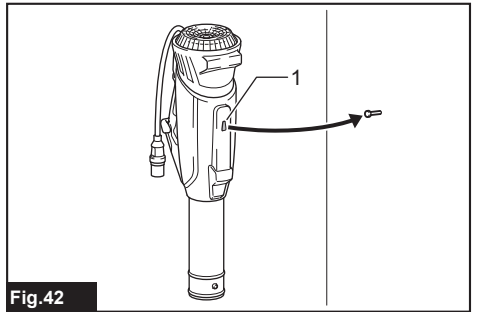


Fig.42

SPECIFICATIONS

Model:		UB001C
Capacities	Air volume	0 - 17.6 m ³ /min
	Air speed (average)	0 - 58.0 m/s
	Air speed (max.)	0 - 70.0 m/s
Overall length (with end nozzle)		960 mm / 1,010 mm / 1,060 mm
Rated voltage		D.C. 36 V - 40 V max
Net weight		2.6 - 2.9 kg
Protection degree		IPX4

- Due to our continuing program of research and development, the specifications herein are subject to change without notice.
- Specifications may differ from country to country.
- Weight according to EPTA-Procedure 01/2014







Applicable portable power pack

PDC1200 / PDC01

⚠ WARNING: Only use the portable power packs listed above. Use of any other portable power packs may cause injury and/or fire.

Symbols

The followings show the symbols which may be used for the equipment. Be sure that you understand their meaning before use.

	Take particular care and attention.
	Read instruction manual.
	Keep hands away from rotating parts.
	Long hair may cause entanglement accident.
	Keep bystanders away.
	Wear eye and ear protection.
	Do not expose to moisture.



Ni-MH
Li-Ion

Only for EU countries
Do not dispose of electric equipment or battery pack together with household waste material!

In observance of the European Directives, on Waste Electric and Electronic Equipment and Batteries and Accumulators and Waste Batteries and Accumulators and their implementation in accordance with national laws, electric equipment and batteries and battery pack(s) that have reached the end of their life must be collected separately and returned to an environmentally compatible recycling facility.

Intended use

The machine is intended for blowing dust.

SAFETY WARNINGS

Battery Powered Blower Safety Instructions

⚠ WARNING: Read all safety warnings and all instructions. Failure to follow the warnings and instructions may result in electric shock, fire and/or serious injury.

Save all warnings and instructions for future reference.

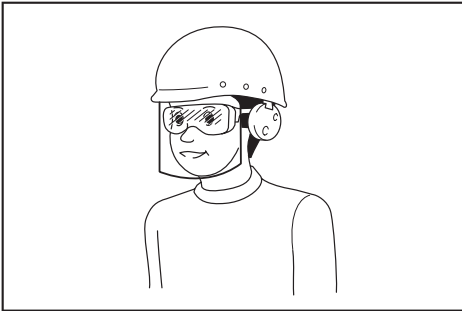
Training

1. **Read the instructions carefully. Be familiar with the controls and the correct use of the blower.**
2. **Never allow children, persons with reduced physical, sensory or mental capabilities or lack of experience and knowledge or people unfamiliar with these instructions to use the blower. Local regulations may restrict the age of the operator.**

3. Never operate the blower while people, especially children, or pets are nearby.
4. Keep in mind that the operator or user is responsible for accidents or hazards occurring to other people or their property.

Preparation

1. Always wear substantial footwear and long trousers while operating the blower.
2. Do not wear loose clothing or jewellery that can be drawn into the air inlet. Keep long hair away from the air inlets.
3. Always wear protective goggles to protect your eyes from injury when using power tools. The goggles must comply with ANSI Z87.1 in the USA, EN 166 in Europe, or AS/NZS 1336 in Australia/New Zealand. In Australia/New Zealand, it is legally required to wear a face shield to protect your face, too.



It is an employer's responsibility to enforce the use of appropriate safety protective equipments by the tool operators and by other persons in the immediate working area.

4. To prevent dust irritation the wearing of a face mask is recommended.
5. While operating the machine, always wear non-slip and protective footwear. Non-skid, closed-toed safety boots and shoes will reduce the risk of injury.
6. Use personal protective equipment. Always wear eye protection. Protective equipment such as a dust mask, non-skid safety shoes, hard hat or hearing protection used for appropriate conditions will reduce personal injuries.
7. Inspect the cord before operating the machine. If the cord is damaged, ask Makita Authorized Service Centers for repair.

Operation

1. Switch off the blower and remove the battery and make sure that all moving parts have come to a complete stop
 - whenever you leave the blower.
 - before clearing blockages.
 - before checking, cleaning or working on the blower.
 - if the blower starts to vibrate abnormally.
2. Operate the blower only in daylight or in good artificial light.
3. Do not overreach and keep proper balance and footing at all times.

4. Always be sure of your footing on slopes.
5. Walk, never run.
6. Keep all cooling air inlets clear of debris.
7. Never blow debris in the direction of bystanders.
8. Operate the blower in a recommended position and on a firm surface.
9. Do not operate the blower at high places.
10. Never point the nozzle at anyone in the vicinity when using the blower.
11. Never block suction inlet and/or blower outlet.
 - Be careful not to block suction inlet or blower outlet with dust or dirt when operating in dusty area.
 - Do not use nozzles other than the nozzles provided by Makita.
 - Do not use the blower to inflate balls, rubber boat or the similar.
12. Do not operate the blower near open window, etc.
13. Operating the blower only at reasonable hours is recommended - not early in the morning or late at night when people might be disturbed.
14. Using rakes and brooms to loosen debris before blowing is recommended.
15. If the blower strikes any foreign objects or should start making any unusual noise or vibration, immediately switch off the blower to stop it. Remove the battery from the blower and inspect the blower for damage before restarting and operating the blower. If the blower is damaged, ask Makita Authorized Service Centers for repair.
16. Do not insert fingers or other objects into suction inlet or blower outlet.
17. Prevent unintentional starting. Ensure the switch is in the off-position before inserting battery, picking up or carrying the blower. Carrying the blower with your finger on the switch or energizing the blower that has the switch on invites accidents.
18. Never blow dangerous materials, such as nails, fragments of glass, or blades.
19. Do not operate the blower near flammable materials.
20. Avoid operating the blower for a long time in low temperature environment.
21. Do not use the machine when there is a risk of lightning.
22. When you use the machine on muddy ground, wet slope, or slippery place, pay attention to your footing.
23. Avoid working in poor environment where increased user fatigue is expected.
24. Do not use the machine in bad weather where visibility is limited. Failure to do so may cause fall or incorrect operation due to low visibility.
25. Do not submerge the machine into a puddle.
26. When wet leaves or dirt adhere to the suction mouth (ventilation window) due to rain, remove them.

Maintenance and storage

1. **Keep all nuts, bolts and screws tight to be sure the blower is in safe working condition.**
2. **If the parts are worn or damaged, replace them with parts provided by Makita.**
3. **Store the blower in a dry place out of the reach of children.**
4. **When you stop the blower for inspection, servicing, storage, or changing accessory, switch off the blower and make sure that all moving parts come to a complete stop, and remove the battery. Cool down the blower before making any work on the blower. Maintain the blower with care and keep it clean.**
5. **Always cool down the blower before storing.**
6. **Do not expose the blower to rain. Store the blower indoors.**
7. **When you lift the blower, be sure to bend your knees and be careful not to hurt your back.**
8. **Do not leave the machine unattended outdoors in the rain.**
9. **Do not wash the machine with high pressure water.**
10. **When storing the machine, avoid direct sunlight and rain, and store it in a place where it does not get hot or humid.**
11. **Perform inspection or maintenance in a place where rain can be avoided.**
12. **After using the machine, remove the adhered dirt and dry the machine completely before storing.** Depending on the season or the area, there is a risk of malfunction due to freezing.
13. **Do not pick up or carry the machine by holding only the cord.**

Battery tool use and care

1. **Recharge only with the charger specified by the manufacturer.** A charger that is suitable for one type of battery pack may create a risk of fire when used with another battery pack.
2. **Use power tools only with specifically designated battery packs.** Use of any other battery packs may create a risk of injury and fire.
3. **When battery pack is not in use, keep it away from other metal objects, like paper clips, coins, keys, nails, screws or other small metal objects, that can make a connection from one terminal to another.** Shorting the battery terminals together may cause burns or a fire.
4. **Under abusive conditions, liquid may be ejected from the battery; avoid contact. If contact accidentally occurs, flush with water. If liquid contacts eyes, additionally seek medical help.** Liquid ejected from the battery may cause irritation or burns.
5. **Do not use a battery pack or tool that is damaged or modified.** Damaged or modified batteries may exhibit unpredictable behaviour resulting in fire, explosion or risk of injury.
6. **Do not expose a battery pack or tool to fire or excessive temperature.** Exposure to fire or temperature above 130 °C may cause explosion.

7. **Follow all charging instructions and do not charge the battery pack or tool outside the temperature range specified in the instructions.** Charging improperly or at temperatures outside the specified range may damage the battery and increase the risk of fire.

Electrical and battery safety

1. **Do not dispose of the battery(ies) in a fire.** The cell may explode. Check with local codes for possible special disposal instructions.
2. **Do not open or mutilate the battery(ies).** Released electrolyte is corrosive and may cause damage to the eyes or skin. It may be toxic if swallowed.
3. **Do not charge battery in rain, or in wet locations.**
4. **Do not charge the battery outdoors.**
5. **Do not handle charger, including charger plug, and charger terminals with wet hands.**
6. **Do not replace the battery in the rain.**
7. **Do not wet the terminal of battery with liquid such as water, or submerge the battery. Do not leave the battery in the rain, nor charge, use, or store the battery in a damp or wet place.** If the terminal gets wet or liquid enters inside of battery, the battery may be short circuited and there is a risk of overheat, fire, or explosion.
8. **After removing the battery from the machine or charger, be sure to attach the battery cover to the battery and store it in a dry place.**
9. **Do not replace the battery with wet hands.**
10. **If the battery gets wet, drain the water inside and then wipe it with a dry cloth. Dry the battery completely in a dry place before use.**

Service

1. **Have your power tool serviced by a qualified repair person using only identical replacement parts.** This will ensure that the safety of the power tool is maintained.
2. **Never service damaged battery packs.** Service of battery packs should only be performed by the manufacturer or authorized service providers.

SAVE THESE INSTRUCTIONS.

⚠WARNING: DO NOT let comfort or familiarity with product (gained from repeated use) replace strict adherence to safety rules for the subject product.

MISUSE or failure to follow the safety rules stated in this instruction manual may cause serious personal injury.

Important safety instructions for battery cartridge

1. **Before using battery cartridge, read all instructions and cautionary markings on (1) battery charger, (2) battery, and (3) product using battery.**
2. **Do not disassemble or tamper with the battery cartridge.** It may result in a fire, excessive heat, or explosion.

3. If operating time has become excessively shorter, stop operating immediately. It may result in a risk of overheating, possible burns and even an explosion.
4. If electrolyte gets into your eyes, rinse them out with clear water and seek medical attention right away. It may result in loss of your eyesight.
5. Do not short the battery cartridge:
 - (1) Do not touch the terminals with any conductive material.
 - (2) Avoid storing battery cartridge in a container with other metal objects such as nails, coins, etc.
 - (3) Do not expose battery cartridge to water or rain.
17. Unless the tool supports the use near high-voltage electrical power lines, do not use the battery cartridge near high-voltage electrical power lines. It may result in a malfunction or breakdown of the tool or battery cartridge.
18. Keep the battery away from children.

SAVE THESE INSTRUCTIONS.

CAUTION: Only use genuine Makita batteries. Use of non-genuine Makita batteries, or batteries that have been altered, may result in the battery bursting causing fires, personal injury and damage. It will also void the Makita warranty for the Makita tool and charger.

- A battery short can cause a large current flow, overheating, possible burns and even a breakdown.
6. Do not store and use the tool and battery cartridge in locations where the temperature may reach or exceed 50 °C (122 °F).
 7. Do not incinerate the battery cartridge even if it is severely damaged or is completely worn out. The battery cartridge can explode in a fire.
 8. Do not nail, cut, crush, throw, drop the battery cartridge, or hit against a hard object to the battery cartridge. Such conduct may result in a fire, excessive heat, or explosion.
 9. Do not use a damaged battery.
 10. The contained lithium-ion batteries are subject to the Dangerous Goods Legislation requirements.

For commercial transports e.g. by third parties, forwarding agents, special requirement on packaging and labeling must be observed.

For preparation of the item being shipped, consulting an expert for hazardous material is required. Please also observe possibly more detailed national regulations.

Tape or mask off open contacts and pack up the battery in such a manner that it cannot move around in the packaging.

11. When disposing the battery cartridge, remove it from the tool and dispose of it in a safe place. Follow your local regulations relating to disposal of battery.
12. Use the batteries only with the products specified by Makita. Installing the batteries to non-compliant products may result in a fire, excessive heat, explosion, or leak of electrolyte.
13. If the tool is not used for a long period of time, the battery must be removed from the tool.
14. During and after use, the battery cartridge may take on heat which can cause burns or low temperature burns. Pay attention to the handling of hot battery cartridges.
15. Do not touch the terminal of the tool immediately after use as it may get hot enough to cause burns.
16. Do not allow chips, dust, or soil stuck into the terminals, holes, and grooves of the battery cartridge. It may result in poor performance or breakdown of the tool or battery cartridge.

Tips for maintaining maximum battery life

1. Charge the battery cartridge before completely discharged. Always stop tool operation and charge the battery cartridge when you notice less tool power.
2. Never recharge a fully charged battery cartridge. Overcharging shortens the battery service life.
3. Charge the battery cartridge with room temperature at 10 °C - 40 °C (50 °F - 104 °F). Let a hot battery cartridge cool down before charging it.
4. When not using the battery cartridge, remove it from the tool or the charger.
5. Charge the battery cartridge if you do not use it for a long period (more than six months).

ASSEMBLY

CAUTION: Always be sure that the machine is switched off and the portable power pack is disconnected from the machine before carrying out any work on the machine.

Installing the end nozzle

Align the triangle mark on the end nozzle with the triangle mark on the front pipe, then attach the end nozzle to the front pipe, and then turn the end nozzle to lock it into place.

Install the end nozzle so that the tip of the nozzle faces downward. Depending on the working environment, you can install the end nozzle so that the tip of the nozzle is facing up.

► Fig.1: 1. Triangle mark 2. End nozzle 3. Front pipe

To remove the end nozzle, perform the installation procedure in reverse.

NOTE: The length of the nozzle can be changed by moving the nozzle as shown in the figure.

► Fig.2: 1. End nozzle 2. Front pipe

Installing the flat nozzle or extension nozzle

Optional accessory

1. Align the groove on the adapter pipe with the protrusion on the front pipe, then attach the adapter pipe to the front pipe, and then turn it to lock it into place.

► **Fig.3:** 1. Adapter pipe 2. Front pipe

2. Align the groove on the flat nozzle or extension nozzle with the protrusion on the adapter pipe, then attach the flat nozzle or extension nozzle to the adapter pipe, and then turn it to lock it into place.

► **Fig.4:** 1. Flat nozzle 2. Extension nozzle 3. Adapter pipe

Installing the gutter nozzle set

Optional accessory

1. Align the groove on the adapter pipe with the protrusion on the front pipe, then attach the adapter pipe to the front pipe, and then turn it to lock it into place.

Insert the adapter pipe as far as it will go so that the protrusion fits into the deepest groove on the adapter pipe.

► **Fig.5:** 1. Screw 2. Hose clamp 3. Adapter pipe 4. Front pipe

2. Loosen the screws on the hose clamps, and pass the large hose clamp through the adapter pipe, and then pass the small hose clamp.

3. Connect the extension pipe to the adapter pipe.

Align the groove on the extension pipe with the protrusion on the adapter pipe, and then slide the extension pipe along its groove so that the triangle markings face each other.

► **Fig.6:** 1. Extension pipe 2. Adapter pipe

4. Place the hose clamps onto the grooves as illustrated and tighten the screws.

► **Fig.7:** 1. Screw 2. Hose clamp

5. According to the working height, connect the rest of extension pipes to the extension pipe which has already been attached.

⚠ CAUTION: Do not attach the extension pipe if the total length including the blower body exceeds 4 m (14 ft).

6. Turn the outlet of the end nozzle as shown in the figure.

► **Fig.8**

7. Connect the end nozzle to the extension pipe. When connecting, align the triangle marking on the end nozzle and the extension pipe, and then push the end nozzle until it clicks. After that, rotate the end nozzle to a suitable position for your work.

► **Fig.9:** 1. End nozzle 2. Extension pipe 3. Triangle marking

When removing the end nozzle, align the triangle markings on the end nozzle and extension pipe, and then pull out the end nozzle from the extension pipe.

► **Fig.10:** 1. End nozzle 2. Extension pipe 3. Triangle marking

FUNCTIONAL DESCRIPTION

⚠ CAUTION: Always be sure that the machine is switched off and the portable power pack is disconnected from the machine before adjusting or checking function on the machine.

Machine / battery protection system

The machine is equipped with a machine/battery protection system. This system automatically cuts off power to the motor to extend machine and battery life. The machine will automatically stop during operation if the machine or battery is placed under one of the following conditions:

Overload protection

When the machine or battery is operated in a manner that causes it to draw an abnormally high current, the machine automatically stops and the main power lamp of the machine blinks in green. In this situation, turn the machine off and stop the application that caused the machine to become overloaded. Then turn the machine on to restart.

Overheat protection

When the machine or battery is overheated, the machine stops automatically. When the machine is overheated, the main power lamp of the machine lights up in red. When the battery is overheated, the main power lamp of the machine blinks in red. Let the machine and battery cool down before turning the machine on again.

Overdischarge protection

When the battery capacity is not enough, the machine stops automatically and the main power lamp of the machine blinks in red. In this case, remove the battery from the machine and charge the battery or change the battery to fully charged one.

Main power switch

⚠ WARNING: Always turn off the main power switch when not in use.

To turn on the machine, press the main power switch. The main power lamp lights up in green. To turn off, press the main power switch again.

► **Fig.11:** 1. Main power lamp 2. Main power switch

NOTE: This machine employs the auto power-off function. To avoid unintentional start up, the main power switch will automatically shut down when the switch trigger is not pulled for a certain period after the main power switch is turned on.

NOTE: If you press the main power switch when the control lever is not fully returned to the off position, or while you are pulling the switch trigger, the main power lamp blinks in green. In this case, fully return the control lever, or release the switch trigger, and then press the main power switch.

Switch action

⚠ WARNING: Before connecting the portable power pack to the machine, always check to see that the switch trigger actuates properly and returns to the "OFF" position when released.

To start the machine, simply pull the switch trigger. The speed increases by increasing pressure on the switch trigger. Release the switch trigger to stop.

► **Fig.12:** 1. Switch trigger

You can use the machine in the Boost mode. In the Boost mode, the air volume becomes larger than in the normal mode. To use the machine in the Boost mode, pull the switch trigger until the switch trigger stops in the halfway position, and then pull the switch trigger fully.

► **Fig.13:** 1. Switch trigger

NOTE: Depending on the usage conditions, use of the Boost mode is restricted to protect the machine. If the main power lamp of the machine blinks in green when you pull the switch trigger fully or while you are using the machine in the Boost mode, the Boost mode is not available.

NOTE: The Boost mode is not available by turning the control lever.

Cruise control function

The cruise control function allows the operator to maintain a constant speed without pulling the trigger. To increase the speed, turn the control lever forward. To decrease the speed, turn the control lever backward.

► **Fig.14:** 1. Control lever

Accidental re-start preventive function

Even if you connect the portable power pack to the machine while pulling the switch trigger, the machine does not start. To start the machine, first release the switch trigger and return the control lever fully, and then pull the switch trigger.

OPERATION

Connecting the portable power pack

⚠ CAUTION: When you use the machine in combination of the backpack-type power supply such as portable power pack, use the hanging band included in the machine package or the hanging band recommended by Makita.

If you put on the shoulder harness not recommended by Makita and the shoulder harness of the backpack-type power supply at the same time, removing the machine or backpack-type power supply is difficult in case of an emergency, and it may cause an accident or injury. For the recommended hanging band, ask Makita Authorized Service Centers.

⚠ CAUTION: Before operation, make sure that the buckles on the waist belt is locked and the machine is securely attached to the hook of the hanging band.

⚠ CAUTION: To prevent unintentional start up, make sure that the machine and portable power pack are turned off before starting this procedure.

⚠ CAUTION: Before performing this procedure, finish the adjustments for the waist belt and shoulder harness. Refer to the instruction manual of the portable power pack for details.

For PDC1200

⚠ CAUTION: When removing the battery, press the lock button while holding the handle firmly. Before removing the battery, set the waist belt to the lowest position.

► **Fig.15:** 1. Handle 2. Lock button

⚠ CAUTION: Be careful not to pinch your fingers or thumbs between the battery and the base plate when attaching the battery.

⚠ CAUTION: Make sure that the battery is securely fixed to the base plate. Otherwise, the battery may fall when you wear the unit or use the unit, and cause an injury. If you can see the red indicator as shown in the figure, the battery is not locked completely.

► **Fig.16:** 1. Red indicator

For PDC01

NOTE: Before performing this procedure, install the battery cartridge(s) to the portable power pack. Refer to the instruction manual of the portable power pack for details.

1. Pull out the cord from either left or right side of the battery.

For PDC1200

Remove the battery from the base plate, and then pull out the cord from either left or right side of the battery, and then attach the battery to the base plate. When pulling out the cord, be sure to set the cord in the holders as shown in the figure.

- **Fig.17:** 1. Cord 2. Holder

For PDC01

When pulling out the cord, be sure to set the cord in the holders as shown in the figure.

- **Fig.18:** 1. Cord 2. Holder

2. Attach the cord to the cord holders.
► **Fig.19:** 1. Cord holder
3. Attach the hooks of the hanging band to the rings of the shoulder harness and waist belt.
► **Fig.20:** 1. Ring 2. Hook

4. Press the power button on the portable power pack. The main power lamp will light up.

For PDC1200

- **Fig.21:** 1. Power button 2. Main power lamp

For PDC01

- **Fig.22:** 1. Power button 2. Main power lamp

5. Wear the shoulder harness of the portable power pack and lock the buckle on the waist belt.
► **Fig.23**

6. Attach the shoulder harness to the machine using the hook on the hanging band. Be sure to hook on the hanger of the machine.
► **Fig.24:** 1. Hook 2. Hanger

Adjust the length of the hanging band as necessary.
► **Fig.25**

7. Insert the plug of the machine into the socket of the portable power pack.

When inserting, align the triangle marking on both the plug and the socket.

- **Fig.26:** 1. Plug 2. Socket 3. Triangle marking

8. Press the main power switch to turn on the machine.

The machine is ready to operate. The machine will run when you pull the switch trigger.

- **Fig.27:** 1. Main power switch

NOTE: You can also use the hanging band as shown in the figure.

- **Fig.28**

Adjust the length of the hanging band as necessary.

- **Fig.29**

Blower operation

CAUTION: Do not place the machine on the ground while it is switched on. Sand or dust may enter from suction inlet and cause a malfunction or personal injury.

Hold the machine firmly with a hand and perform the blowing operation by moving it around slowly. When blowing around building, big stone or vehicle, direct the nozzle away from them. When performing an operation in a corner, start from the corner and then move to wide area.

- **Fig.30**

When setting down the machine, unlock the buckle on the hanging band with one hand while holding the machine with the other hand.

- **Fig.31:** 1. Buckle

- **Fig.32:** 1. Buckle

When setting down the machine and the portable power pack at the same time, unlock the buckle on the waist belt, and then set down the machine and the portable power pack.

- **Fig.33:** 1. Buckle

NOTE: When unlocking the buckle, press the claws of the buckle on both sides. When locking the buckle, insert the claws until they are locked.

- **Fig.34:** 1. Claw

Using the gutter nozzle set

CAUTION: When using the gutter nozzle set, do not use the machine in the Boost mode. You may lose balance and it may cause an accident since the air volume becomes larger in the Boost mode.

CAUTION: When using the gutter nozzle set, do not hold the blower with single hand but with both hands.

- **Fig.35**

CAUTION: Do not use the gutter nozzle set near electric wires.

- **Fig.36**

CAUTION: Do not use the gutter nozzle set on windy day.

- **Fig.37**

CAUTION: When using the gutter nozzle set, keep other people or animal more than 15 m (50 ft) away from the blower.

- **Fig.38**

Hold the blower upright by grabbing the handle of the blower. Place the outlet of the blower on the gutter and then turn on the blower.

- **Fig.39**

MAINTENANCE

⚠ CAUTION: Always be sure that the machine is switched off and the portable power pack is disconnected from the machine before attempting to perform inspection or maintenance.

To maintain product SAFETY and RELIABILITY, repairs, any other maintenance or adjustment should be performed by Makita Authorized or Factory Service Centers, always using Makita replacement parts.

Cleaning the machine

Clean the machine by wiping off dust with a dry cloth or one dipped in soapy water and wrung out.

► Fig.40

NOTICE: Never use gasoline, benzine, thinner, alcohol or the like. Discoloration, deformation or cracks may result.

Remove dust or dirt from the suction inlet at the rear of the machine.

► Fig.41: 1. Suction inlet

Storage

Before storing the machine, disconnect the portable power pack from the machine, and perform full maintenance. Store the machine in a place out of the reach of children and not exposed to moisture, rain, or direct sunlight.

The hook hole on the bottom of the machine is convenient for hanging the machine from a nail or screw on the wall.

► Fig.42: 1. Hole

TROUBLESHOOTING

Before asking for repairs, conduct your own inspection first. If you find a problem that is not explained in the manual, do not attempt to dismantle the machine. Instead, ask Makita Authorized Service Centers, always using Makita replacement parts for repairs.

State of abnormality	Probable cause (malfunction)	Remedy
Motor does not run.	Battery is not installed.	Install the battery.
	Battery problem (under voltage)	Recharge the battery. If recharging is not effective, replace battery.
	The drive system does not work correctly.	Ask your local authorized service center for repair.
Motor stops running after a little use.	Battery's charge level is low.	Recharge the battery. If recharging is not effective, replace battery.
	Overheating.	Stop using the machine to allow it to cool down.
The machine does not reach the maximum speed.	Battery is installed improperly.	Install the battery as described in this manual.
	Battery power is dropping.	Recharge the battery. If recharging is not effective, replace battery.
	The drive system does not work correctly.	Ask your local authorized service center for repair.
Abnormal vibration: ⇒ stop the machine immediately!	The drive system does not work correctly.	Ask your local authorized service center for repair.
Motor cannot stop: ⇒ Remove the battery immediately!	Electric or electronic malfunction.	Remove the battery and ask your local authorized service center for repair.

OPTIONAL ACCESSORIES

⚠ CAUTION: These accessories or attachments are recommended for use with your Makita product specified in this manual. The use of any other accessories or attachments might present a risk of injury to persons. Only use accessory or attachment for its stated purpose.

If you need any assistance for more details regarding these accessories, ask your local Makita Service Center.

- Adapter pipe
- Extension nozzle
- Flat nozzle
- Gutter nozzle set
- Band assembly
- Makita genuine battery and charger

NOTE: Some items in the list may be included in the product package as standard accessories. They may differ from country to country.

规格

型号:	UB001C	
能力	风量	0 - 17.6 m ³ /min
	风速 (平均值)	0 - 58.0 m/s
	风速 (最大值)	0 - 70.0 m/s
总长度 (带末端喷嘴)	960 mm / 1,010 mm / 1,060 mm	
额定电压	D.C. 36 V - 40 V (最大)	
净重	2.6 - 2.9 kg	
防护等级	IPX4	

- 生产者保留变更规格不另行通知之权利。
- 规格可能因销往国家之不同而异。
- 重量符合EPTA-Procedure 01/2014

便携电源装置

PDC1200 / PDC01

警告： 请仅使用以上便携电源装置。使用其他类型的便携电源装置可能会导致人身伤害和 / 或失火。

符号

以下显示本设备可能会使用的符号。在使用工具之前，请务必理解其含义。

	特别小心和注意。
	阅读使用说明书。
	手应远离旋转的部件。
	长发可能会导致卷入事故。
	使旁观者远离。
	请佩戴耳目保护装置。
	勿暴露于潮湿环境。



仅限于欧盟国家
请勿将电气设备或电池组与家庭普通废弃物一同丢弃！请务必遵守欧洲关于废弃电子电气设备、电池和蓄电池以及废弃电池和蓄电池的指令并根据法律法规执行。达到使用寿命的电气设备和电池组必须分类回收至符合环境保护规定的再循环机构。

用途

本机用于吹除灰尘。

安全警告

充电式吹风机安全注意事项

警告： 阅读所有警告和所有说明。不遵照以下警告和说明会导致电击、着火和 / 或严重伤害。

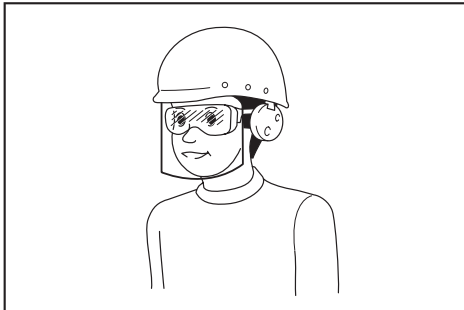
保存所有警告和说明书以备查阅。

培训

1. 请仔细阅读说明。熟悉控制和正确操作吹风机的方法。
2. 切勿让儿童和体力、感觉及心智不健全或缺乏经验知识的人员以及不熟悉操作说明的人员使用吹风机。当地法规会限制操作人员的年龄。
3. 请勿在附近有人（特别是儿童）或宠物的情况下操作吹风机。
4. 操作时要时刻谨记，如果给他人及其财产造成损失，操作者或用户要为此负责。

准备

1. 操作吹风机时，请务必穿戴厚实的鞋子和长裤。
2. 请勿穿着宽松的衣服或佩戴首饰，它们可能会被吸入进气口。使头发远离进气口。
3. 使用电动工具时请始终佩带护目镜以免伤害眼睛。护目镜须符合美国ANSI Z87.1、欧洲EN 166或者澳大利亚/新西兰的AS/NZS 1336的规定。在澳大利亚/新西兰，法律要求佩带面罩保护脸部。



雇主有责任监督工具操作者和其他近工作区域人员佩带合适的安全防护设备。

4. 为防止灰尘引起的过敏，建议佩戴面罩。
5. 操作机器期间，务必始终穿戴防滑防护鞋。防滑、闭趾安全靴和鞋可减少受伤风险。
6. 使用个人防护装置。始终佩戴护目镜。防护装置，诸如适当条件下使用防尘面具、防滑安全鞋、安全帽、听力防护等装置能减少人身伤害。
7. 操作机器前，请检查导线。如导线损坏，请联系Makita（牧田）授权的维修服务中心进行修复。

操作

1. 关闭吹风机电源并取出电池，同时确保所有移动部件已完全停止。
 - 离开吹风机时。
 - 清除堵塞物前。
 - 检查、清洁或处理吹风机前。
 - 如果吹风机开始异常振动。
2. 仅可在光线充足或良好照明的情况下操作本吹风机。
3. 操作时手不要伸得太长，务必始终保持身体平衡，立足稳定。
4. 在斜坡上时确保立足稳固。
5. 操作时请行走，切勿跑动。
6. 确保冷却进气口无碎片。
7. 不得朝向附近的人吹扫碎片。
8. 请在建议的位置和稳固的表面上操作吹风机。
9. 请勿在高处操作吹风机。
10. 使用吹风机时，切勿将喷嘴对准工作区中的任何人。
11. 切勿堵塞进气口和 / 或吹气口。
 - 在灰尘较大的区域内操作时，请注意避免吹风机吸气口或出气口被灰尘或污垢阻塞。
 - 请勿使用非Makita（牧田）提供的喷嘴。
 - 请勿将吹风机用于膨胀气球、橡皮艇或类似物品。
12. 请勿在打开的窗户等附近操作吹风机。
13. 建议在适宜的时间段（不要在早上或深夜）操作吹风机，以避免扰民。
14. 建议在吹风机前使用耙子和扫帚等分散碎片。
15. 如果吹风机撞击到异物或开始产生任何异常的噪音或振动，立即关闭吹风机电源以停止运行。重新启动、操作吹风机前，请取出吹风机的电池并检查吹风机有无损坏。如吹风机损坏，请联系Makita（牧田）授权的维修服务中心进行修复。
16. 请勿将手指和其它物品插入进气口或吹气口。
17. 防止意外启动。在插入电池、拿起或搬运吹风机之前，请确保开关处于关闭位置。搬运吹风机时，手指放在开关上或者在开关打开的情况下给吹风机通电可能会导致意外事故。
18. 切勿吹扫危险材料，例如钉子、玻璃碎片或刀片。

19. 请勿在可燃物附近操作吹风机。
20. 避免在低温环境下长时间操作吹风机。
21. 切勿在雷电天气使用机器。
22. 在泥泞地面、潮湿坡道或湿滑的地方使用机器时，请注意立足稳固。
23. 避免在可能增加用户疲劳的恶劣环境中工作。
24. 请勿在能见度有限的恶劣天气下使用机器。否则可能会因视线较差导致跌倒或不正确的操作。
25. 请勿将机器浸入水坑中。
26. 当因下雨导致潮湿树叶或污垢粘附在吸嘴（通风窗）上时，请清除它们。

保养和存放

1. 保证所有螺母、螺栓和螺丝都已拧紧，确保吹风机处于安全的工作状态。
2. 若部件磨损或损坏，请使用Makita（牧田）提供的部件进行更换。
3. 将吹风机存于儿童接触不到的干燥位置。
4. 将吹风机停机以便检查、维修、存放或更换附件时，请将吹风机关闭，确保所有移动部件均已完全停止，并取下电池。对吹风机进行任何操作之前，请先冷却吹风机。精心保养吹风机并保持清洁。
5. 在存放前始终冷却吹风机。
6. 请勿使吹风机暴露在雨水中。将吹风机存放在室内。
7. 抬起吹风机时请务必屈膝，并注意避免受伤及背部。
8. 请勿在雨天将机器置于室外无人看管。
9. 请勿用高压水清洗机器。
10. 存放机器时，避免直射阳光和淋雨，将其存放在不会变热或变潮的位置。
11. 在不会淋雨的位置执行检查或保养。
12. 使用机器后，清除粘附的污垢，并在存放前彻底干燥机器。根据季节或地区的不同，存在因结冰导致功能不良的可能性。
13. 请勿在仅握住导线的情况下拿起或携带本机。

电池式工具使用和注意事项

1. 仅使用生产者规定的充电器充电。将适用于某种电池包的充电器用到其他电池包时可能会发生着火危险。
2. 仅使用配有专用电池包的电动工具。使用其他电池包可能会产生伤害和着火危险。

3. 当电池包不用时，将它远离其他金属物体，例如回形针、硬币、钥匙、钉子、螺钉或其他小金属物体，以防电池包一端与另一端连接。电池组端部短路可能会引起燃烧或着火。
4. 在滥用条件下，液体可能会从电池组中溅出；应避免接触。如果意外碰到液体，用水冲洗。如果液体碰到了眼睛，还应寻求医疗帮助。从电池中溅出的液体可能会发生腐蚀或燃烧。
5. 不要使用损坏或改装过的电池包或工具。损坏或改装过的电池组可能呈现无法预测的结果，导致着火、爆炸或伤害。
6. 不要将电池包暴露于火或高温中。电池包暴露于火或高于130 °C的高温中可能导致爆炸。
7. 遵循所有充电说明。不要在说明书中指定的温度范围之外给电池包或电动工具充电。不正确或在指定的温度范围外充电可能会损坏电池和增加着火的风险。

电气和电池安全

1. 请勿将电池弃于火中。否则会引起电池爆炸。请查阅当地法规了解适当的特殊处理说明。
2. 请勿打开或拆解电池。溢出的电解质具有腐蚀性，可能会对眼睛或皮肤造成损伤。吞服则有致毒危险。
3. 请勿在雨中或潮湿的地方充电。
4. 勿在室外对电池充电。
5. 请勿用湿手操作充电器，包括充电器插头和充电器端子。
6. 请勿在雨中更换电池。
7. 请勿用水等液体打湿电池端子，或将电池浸于水中。请勿使电池淋雨，也不得在潮湿位置给电池充电、使用或存放电池。如果电池端子被打湿或有液体进入电池，则电池可能会短路，导致过热、起火或爆炸危险。
8. 从机器或充电器取下电池后，请务必在电池上安装电池盖并将其存放在干燥处。
9. 请勿用湿手更换电池。
10. 如果电池被打湿，请排干其中的水分，再用干布擦拭干净。使用前，请在干燥处将电池组彻底晾干。

维修

1. 让专业维修人员使用相同的备件维修电动工具。这将保证所维修的电动工具的安全。
2. 决不能维修损坏的电池包。电池包仅能由生产者或其授权的维修服务商进行维修。

请保留此说明书。

警告： 请勿为图方便或因对产品足够熟悉（由于重复使用而获得的经验）而不严格遵循相关产品安全规则。

使用不当或不遵循使用说明书中的安全规则会导致严重的人身伤害。

电池组的重要安全注意事项

1. 在使用电池组之前，请仔细阅读所有的说明以及（1）电池充电器，（2）电池，以及（3）使用电池的产品上的警告标记。
2. 切勿拆卸或改装电池组。否则可能引起火灾、过热或爆炸。
3. 如果机器运行时间变得过短，请立即停止使用。否则可能会导致过热、起火甚至爆炸。
4. 如果电解液进入您的眼睛，用清水将其冲洗干净并立即就医。否则可能会导致视力受损。
5. 请勿使电池组短路：
 - （1）请勿使任何导电材料碰触到端子。
 - （2）避免将电池组与其他金属物品如钉子、硬币等放置在同一容器内。
 - （3）请勿将电池组置于水中或使其淋雨。电池短路将产生大的电流，导致过热，并可能导致起火甚至击穿。
6. 请勿在温度可能达到或超过**50°C（122°F）**的场所存放以及使用工具和电池组。
7. 即使电池组已经严重损坏或完全磨损，也请勿焚烧电池组。电池组会在火中爆炸。
8. 请勿对电池组射钉，或者切削、挤压、抛掷、掉落电池组，又或者用硬物撞击电池组。否则可能引起火灾、过热或爆炸。
9. 请勿使用损坏的电池。

10. 本工具附带的锂离子电池需符合危险品法规要求。

第三方或转运代理等进行商业运输时，应遵循包装和标识方面的特殊要求。有关运输项目的准备作业，咨询危险品方面的专业人士。同时，请遵守可能更为详尽的国家法规。

请使用胶带保护且勿遮掩表面的联络信息，并牢固封装电池，使电池在包装内不可动。

11. 丢弃电池组时，需将其从工具上卸下并在安全地带进行处理。关于如何处理废弃的电池，请遵循当地法规。
12. 仅将电池用于Makita（牧田）指定的产品。将电池安装至不兼容的产品会导致起火、过热、爆炸或电解液泄漏。
13. 如长时间未使用工具，必须将电池从工具内取出。
14. 使用工具期间以及使用工具之后，电池组温度可能较高易引起灼伤或低温烫伤。处理高温电池组时请小心操作。
15. 在使用工具后请勿立即触碰工具的端子，否则可能引起灼伤。
16. 避免锯屑、灰尘或泥土卡入电池组的端子、孔口和凹槽内。否则可能导致工具或电池组性能下降或故障。
17. 除非工具支持在高压电源线路附近使用，否则请勿在高压电源线路附近使用电池组。否则可能导致工具或电池组故障或失常。
18. 确保电池远离儿童。

请保留此说明书。

小心： 请仅使用Makita（牧田）原装电池。使用非Makita（牧田）原装电池或经过改装的电池可能会导致电池爆炸，从而造成火灾、人身伤害或物品受损。同时也会导致牧田工具和充电器的牧田保修服务失效。

保持电池最大使用寿命的提示

1. 在电池组电量完全耗尽前及时充电。发现工具电量低时，请停止工具操作，并给电池组充电。
2. 请勿对已充满电的电池组重新充电。过度充电将缩短电池的使用寿命。
3. 请在**10°C - 40°C（50°F - 104°F）**的室温条件下给电池组充电。请在灼热的电池组冷却后再充电。

4. 不使用电池组时，请将其从工具或充电器上拆除。
5. 如果电池组长时间（超过六个月）未使用，请给其充电。

装配

⚠小心： 在机器上进行任何操作之前，请务必关闭机器电源，并将便携电源装置从机器上断开。

安装末端喷嘴

将末端喷嘴上的三角形标记与前端管上的三角形标记对齐，然后将末端喷嘴连接至前端管上，再旋转末端喷嘴将其锁定到位。安装末端喷嘴使喷嘴头朝下。您也可以在安装末端喷嘴时使喷嘴头朝上，具体情况视工作环境而定。

- **图片1：** 1. 三角形标记 2. 端部喷嘴
3. 前端管

拆下末端喷嘴时，按与安装步骤相反的顺序执行操作。

注： 如图所示，移动喷嘴即可改变喷嘴的长度。

- **图片2：** 1. 端部喷嘴 2. 前端管

安装扁喷嘴或延长喷嘴

选购附件

1. 将适配管上的凹槽与前端管上的凸起部分对齐，然后将适配管连接至前端管上，再旋转将其锁定到位。

- **图片3：** 1. 适配管 2. 前端管

2. 将扁喷嘴或延长喷嘴上的凹槽与适配管上的凸起部分对齐，然后将扁喷嘴或延长喷嘴连接至适配管上，再旋转将其锁定到位。

- **图片4：** 1. 扁喷嘴 2. 延长喷嘴 3. 适配管

安装排水沟喷嘴套件

选购附件

1. 将适配管上的凹槽与前端管上的凸起部分对齐，然后将适配管连接至前端管上，再旋转将其锁定到位。

尽可能插入适配管，使凸起部位嵌入适配管最深的凹槽处。

- **图片5：** 1. 螺丝 2. 软管夹 3. 适配管
4. 前端管

2. 拧松软管夹上的螺丝，然后将大尺寸软管夹穿过适配管，再将小尺寸软管夹穿过适配管。

3. 将延长管连接至适配管上。

将延长管上的凹槽与适配管上的凸起部分对齐，然后沿凹槽滑动延长管，使两个三角形标记彼此相对。

- **图片6：** 1. 延长管 2. 适配管

4. 将软管夹放置于图示中的凹槽上，然后拧紧螺丝。

- **图片7：** 1. 螺丝 2. 软管夹

5. 根据工作高度，将剩余的延长管连接至已连接的延长管上。

⚠小心： 当总长度（包含吹风机主体）超出 4 m (14 ft) 时，请勿连接延长管。

6. 按照图示旋转末端喷嘴出气口。

- **图片8**

7. 将末端喷嘴连接至延长管上。连接时，请将末端喷嘴与延长管上的三角形标记对齐，然后推动末端喷嘴直至其锁定。随后，将末端喷嘴旋转至适当位置以方便作业。

- **图片9：** 1. 末端喷嘴 2. 延长管 3. 三角形标记

拆除末端喷嘴时，请将末端喷嘴与延长管上的三角形标记对齐，再将末端喷嘴从延长管中拔出。

- **图片10：** 1. 末端喷嘴 2. 延长管 3. 三角形标记

功能描述

⚠小心： 在调节或检查机器功能之前，请务必关闭机器电源，并将便携电源装置从机器上断开。

机器 / 电池保护系统

本机器配备有机器 / 电池保护系统。该系统可自动切断机电源以延长机器和电池使用寿命。作业时，如果机器或电池处于以下任一情况，工具将会自动停止运转：

过载保护

以导致异常高电流的方式操作机器或电池时，机器会自动停止运转并且机器的主电源指示灯将呈绿色闪烁。在这种情况下，请关闭机器并停止导致机器过载的应用程序。然后开启机器以重新启动。

过热保护

机器或电池过热时会自动停止。当机器过热时，机器的主电源指示灯呈红色亮起。当电池过热时，机器的主电源指示灯呈红色闪烁。请等待机器和电池冷却后再重新启动机器。

过放电保护

电池电量不足时，机器会自动停止运转并且机器的主电源指示灯将呈红色闪烁。在这种情况下，请从机器内取出电池并对电池充电，或更换完全充满电的电池。

主电源开关

警告： 不使用时，务必关闭主电源开关。

按主电源开关打开机器。主电源指示灯呈绿色点亮。要关闭时，请再次按主电源开关。

► **图片11:** 1. 主电源指示灯 2. 主电源开关

注： 本机器采用自动关机功能。为避免意外启动，在打开主电源开关后的一段时间内如未扣动开关扳机，主电源开关将自动关闭。

注： 当控制杆未完全返回关闭位置时，或者在扣动开关扳机时，若按下主电源开关，主电源指示灯将闪烁绿色。此时，请将控制杆完全复位或者松开开关扳机，然后按下主电源开关。

开关操作

警告： 在将便携电源装置安装至机器前，请务必检查开关扳机是否扣动自如，松开时能否退回至“OFF”（关闭）位置。

要启动机器，只需扣动开关扳机即可。随着在开关扳机上施加压力的增大，机器速度会提高。松开开关扳机时机器即停止。

► **图片12:** 1. 开关扳机

您可以在“增强”模式下使用机器。“增强”模式下的风量大于正常模式下的风量。若要在“增强”模式使用机器，请扣动开关扳机直至开关扳机停止在中间位置，然后将开关扳机扣到底。

► **图片13:** 1. 开关扳机

注： 在某些使用条件下，会限制使用“增强”模式以保护机器。当完全扣动开关扳机时或者您在“增强”模式下使用机器时，若机器的主电源指示灯闪烁绿色，将无法使用“增强”模式。

注： 旋转控制杆无法启动“增强”模式。

恒速控制功能

恒速控制功能可使操作者保持恒定的速度而不用拉扳机。要提高速度，请向前转动控制杆。要降低速度，请向后转动控制杆。

► **图片14:** 1. 控制杆

防止意外重启功能

即使便携电源装置与机器相连时扣动开关扳机，机器也无法启动。若要启动机器，请先松开开关扳机，将控制杆完全恢复至原位，然后再扣动开关扳机。

操作

连接便携电源装置

小心： 将机器与便携电源装置等背负式电源组合使用时，请使用机器包装中附送的悬挂束带或Makita（牧田）推荐使用的悬挂束带。

若同时佩戴非Makita（牧田）推荐使用的肩带和背负式电源肩带，遭遇紧急情况时将难以卸下机器或背负式电源，由此可能会发生意外或导致人身伤害。有关推荐的悬挂束带，请咨询Makita（牧田）授权的维修服务中心。

小心： 在运行前，确保腰带上的带扣已锁紧，并且机器已牢固地连接到悬挂束带的挂钩。

小心： 为防止意外启动，在执行此步骤前，请务必关闭机器和便携电源装置。

小心： 执行此步骤之前，请完成对腰带和肩带的调整。详见便携电源装置的使用说明书。

PDC1200型

小心：若要取出电池，请在抓紧手柄的同时按下锁定按钮。取出电池之前，请将腰带置于最低位置。

► 图片15: 1. 手柄 2. 锁定按钮

小心：安装电池时，注意避免拇指或其他手指夹在电池和基板之间。

小心：务必将电池牢固固定在基板上。否则，在佩戴或使用装置时会导致电池掉落，造成人身伤害。若能观察到图示中的红色指示器，则说明电池未完全锁紧。

► 图片16: 1. 红色指示器

PDC01型

注：执行此步骤之前，请将电池组安装到便携电源装置。详见便携电源装置的使用说明书。

1. 从电池的左右任一侧拉出导线。

PDC1200型

将电池从基板中取出，再从电池的左右任一侧拉出导线，然后将电池安装到基板上。拉出导线时，请务必按图中所示将导线置于固定夹中。

► 图片17: 1. 导线 2. 固定夹

PDC01型

拉出导线时，请务必按图中所示将导线置于固定夹中。

► 图片18: 1. 导线 2. 固定夹

2. 将导线安装在导线固定器上。

► 图片19: 1. 导线固定器

3. 将悬挂束带的挂钩连接到肩带和腰带的挂环上。

► 图片20: 1. 挂环 2. 挂钩

4. 按下便携电源装置上的电源按钮。主电源指示灯将亮起。

PDC1200型

► 图片21: 1. 电源按钮 2. 主电源指示灯

PDC01型

► 图片22: 1. 电源按钮 2. 主电源指示灯

5. 戴上便携电源装置的肩带，并将腰带上的带扣锁上。

► 图片23

6. 使用悬挂束带上的挂钩，将肩带连接到机器上。确保挂钩勾住机器的吊扣。

► 图片24: 1. 挂钩 2. 吊扣

在需要时调节悬挂束带的长度。

► 图片25

7. 将机器插头插入便携电源装置的插口内。

在插入时，调整插头和插口上的三角形标记。

► 图片26: 1. 插头 2. 插口 3. 三角形标记

8. 按下主电源开关以开启机器。

机器已做好操作准备。扣动开关扳机机器便会运行。

► 图片27: 1. 主电源开关

注：您也可以按照图示方式使用悬挂束带。

► 图片28

在需要时调节悬挂束带的长度。

► 图片29

吹风机操作

小心：电源打开时，请勿将机器放在地上。否则沙尘可能会进入进气口，这可能会导致机器故障或造成人身伤害。

单手紧握机器，缓慢移动以进行吹扫操作。当在建筑物、大的石块或车辆周围进行吹扫作业时，请使喷嘴避开上述物体。当在角落位置进行作业时，请先吹扫角落，然后移至宽阔区域。

► 图片30

放下机器时，请用一只手解开悬挂束带上的带扣，另一只手抓住机器。

► 图片31: 1. 带扣

► 图片32: 1. 带扣

同时放下机器和便携电源装置时，请先解开腰带上的带扣，再放下机器和便携电源装置。

► 图片33: 1. 带扣

注：解开带扣时，请按下两侧带扣的卡爪。锁定带扣时，插入卡爪直至其锁定。

► 图片34: 1. 卡爪

使用排水沟喷嘴套件

⚠小心： 使用排水沟喷嘴套件时，请勿在“增强”模式下使用该机器。由于在“增强”模式下风量会变大，您可能会失去平衡，并导致事故发生。

⚠小心： 当使用排水沟喷嘴套件时，请用双手而非单手握住吹风机。

► 图片35

⚠小心： 请勿在电线附近使用排水沟喷嘴套件。

► 图片36

⚠小心： 请勿在大风天气下使用排水沟喷嘴套件。

► 图片37

⚠小心： 当使用排水沟喷嘴套件时，请确保人员或动物与吹风机保持**15 m (50 ft)**以上的距离。

► 图片38

通过抓握吹风机把手将吹风机直立向上抓紧。将吹风机的吹气口放置于排水沟上，然后打开吹风机。

► 图片39

保养

⚠小心： 在检查或保养机器之前，请务必关闭机器电源并将便携电源装置从机器上断开。

为了保证产品的安全与可靠性，维修、任何其他维修保养或调节需由Makita（牧田）授权的或工厂维修服务中心完成。务必使用Makita（牧田）的替换部件。

清洁机器

用干布或浸有肥皂水并且拧干的布擦拭机器上的灰尘。

► 图片40

注意： 切勿使用汽油、苯、稀释剂、酒精或类似物品清洁工具。否则可能会导致工具变色、变形或出现裂缝。

清除机器后部吸气口处的灰尘或污垢。

► 图片41： 1. 吸气口

存放

存放机器之前，请先断开便携电源装置与机器之间的连接，再对机器进行全面维护。将机器存放于儿童接触不到并且可避免受潮、雨淋或阳光直射的区域。

使用机器底部的钩孔可便于将机器挂在墙壁的钉子或螺丝上。

► 图片42： 1. 孔

故障排除

请求维修前，请首先自行检查。如果您发现本手册中有未作说明的问题，请勿拆解机器。请联络Makita（牧田）授权维修服务中心，务必使用Makita（牧田）的替换部件进行修复。

异常状态	可能原因（故障）	纠正措施
电机不旋转。	未安装电池。	安装电池。
	电池故障（欠压）	请给电池充电。如果充电无效，则更换电池。
	驱动系统未正常工作。	请当地授权的维修服务中心进行维修。
使用一段时间后电机不旋转。	电池电量低。	请给电池充电。如果充电无效，则更换电池。
	过热。	停止使用机器，使之冷却。
机器未达到最大速度。	电池安装不当。	按本手册所述安装电池。
	电池电力下降。	请给电池充电。如果充电无效，则更换电池。
	驱动系统未正常工作。	请当地授权的维修服务中心进行维修。
异常振动： ⇒ 立即停止机器！	驱动系统未正常工作。	请当地授权的维修服务中心进行维修。
电机无法停止： ⇒ 立即卸下电池！	电力或电子故障。	拆下电池并请当地授权的维修服务中心进行修复。

选购附件

⚠小心： 这些附件或装置专用于本说明书所列的Makita（牧田）产品。使用其他附件或装置存在人身伤害风险。仅可将附件或装置用于规定目的。

如您需要了解更多关于这些选购附件的信息，请咨询当地的Makita（牧田）维修服务中心。

- 适配管
- 延长喷嘴
- 扁喷嘴
- 排水沟喷嘴套件
- 束带组件
- Makita（牧田）原装电池和充电器

注： 本列表中的一些部件可能作为标准配件包含于产品包装内。它们可能因销往国家之不同而异。

SPEKIFIKASI

Model:		UB001C
Kapasitas	Volume udara	0 - 17,6 m ³ /min
	Kecepatan udara (rata-rata)	0 - 58,0 m/s
	Kecepatan udara (maks.)	0 - 70,0 m/s
Panjang keseluruhan (dengan nosel belakang)		960 mm / 1.010 mm / 1.060 mm
Tegangan terukur		D.C. 36 V - 40 V maks
Berat bersih		2,6 - 2,9 kg
Derajat perlindungan		IPX4

- Karena kesinambungan program penelitian dan pengembangan kami, spesifikasi yang disebutkan di sini dapat berubah tanpa pemberitahuan.
- Spesifikasi dapat berbeda dari satu negara ke negara lainnya.
- Berat menurut Prosedur EPTA 01/2014








Paket daya portabel yang sesuai

PDC1200 / PDC01

⚠️ PERINGATAN: Hanya gunakan paket daya portabel yang tercantum di atas. Penggunaan paket daya portabel lain dapat menimbulkan risiko cedera dan/atau kebakaran.

Simbol

Berikut ini adalah simbol-simbol yang dapat digunakan pada peralatan ini. Pastikan Anda memahami arti masing-masing simbol sebelum menggunakan peralatan.

	Berhati-hatilah dan pusatkan perhatian Anda.
	Baca petunjuk penggunaan.
	Jauhkan tangan dari bagian yang berputar.
	Rambut yang panjang berisiko terbelit.
	Jauhkan dari orang-orang di sekitar.
	Gunakan pelindung mata dan pelindung telinga.
	Jangan membiarkan alat terkena udara lembap.



Hanya untuk negara-negara UE
 Jangan membuang peralatan listrik atau paket baterai bersama-sama dengan bahan limbah rumah tangga!
 Dengan memerhatikan Petunjuk Eropa, tentang Limbah Peralatan Listrik dan Elektronik serta Baterai dan Akumulator serta Limbah Baterai dan Akumulator dan pelaksanaannya sesuai dengan ketentuan hukum nasional, peralatan listrik dan baterai dan paket baterai yang telah habis umur pakainya harus dikumpulkan secara terpisah dan dikembalikan ke fasilitas daur ulang yang kompatibel secara lingkungan.

Penggunaan

Mesin ini digunakan untuk meniup debu.

PERINGATAN KESELAMATAN

Petunjuk Keamanan Blower Tenaga Baterai

⚠️ PERINGATAN: Bacalah semua peringatan keselamatan dan semua petunjuk. Kelalaian mematuhi peringatan dan petunjuk dapat menyebabkan sengatan listrik, kebakaran dan/atau cedera serius.

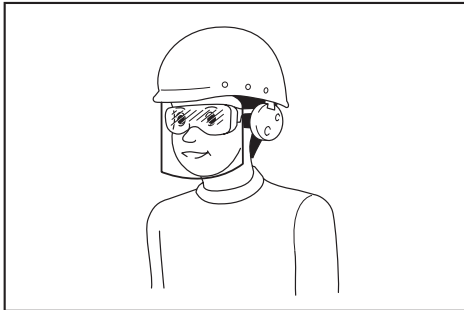
Simpanlah semua peringatan dan petunjuk untuk acuan di masa depan.

Pelatihan

1. Baca petunjuk dengan saksama. Pahami kontrol dan cara penggunaan blower yang benar.
2. Anak kecil, orang dengan kemampuan fisik, indra, atau mental yang terbatas atau orang awam atau orang yang tidak dapat memahami petunjuk ini dilarang menggunakan blower ini. Peraturan setempat mungkin membatasi usia operator.
3. Jangan gunakan blower jika ada orang, khususnya anak-anak, atau binatang peliharaan di dekatnya.
4. Selalu ingat bahwa operator atau pengguna bertanggung jawab atas kecelakaan atau bahaya yang terjadi pada orang lain atau propertinya.

Persiapan

1. Selalu kenakan alas kaki dan celana panjang yang memadai saat menggunakan blower.
2. Jangan memakai pakaian yang kedodoran atau perhiasan yang dapat terisap oleh inlet udara. Jauhkan rambut panjang dari inlet udara.
3. Selalu kenakan kacamata pelindung untuk melindungi mata dari cedera saat menggunakan mesin listrik. Kacamata harus sesuai dengan ANSI Z87.1 di Amerika Serikat, EN 166 di Eropa, atau AS/NZS 1336 di Australia/Selandia Baru. Di Australia/Selandia Baru, secara hukum Anda juga diwajibkan mengenakan pelindung wajah untuk melindungi wajah Anda.



Menjadi tanggung jawab atasan untuk menerapkan penggunaan alat pelindung keselamatan yang tepat bagi operator mesin dan orang lain yang berada di area kerja saat itu.

4. Untuk mencegah iritasi karena debu disarankan menggunakan masker wajah.
5. Ketika mengoperasikan mesin, selalu kenakan sepatu pelindung antiselip. Sepatu dan bus pelindung antiselip yang tertutup di bagian jarinya akan mengurangi risiko cedera.
6. Gunakan alat pelindung diri. Selalu gunakan pelindung mata. Peralatan pelindung seperti masker debu, sepatu pengaman anti-selip, helm pengaman, atau pelindung telinga yang digunakan untuk kondisi yang sesuai akan mengurangi risiko cedera badan.

7. Periksa kabel sebelum mengoperasikan mesin kembali. Jika kabel rusak, hubungi Pusat Layanan Resmi Makita untuk memperbaikinya.

Pengoperasian

1. Matikan blower dan lepaskan baterai dan pastikan semua bagian yang bergerak telah berhenti sepenuhnya
 - saat Anda meninggalkan blower.
 - sebelum membersihkan sumbatan.
 - sebelum memeriksa, membersihkan atau menggunakan blower.
 - jika blower mulai bergetar secara tidak normal.
2. Gunakan blower hanya di siang hari atau dalam kondisi cahaya yang mencukupi.
3. Jangan meraih terlalu jauh dan jagalah pijakan dan keseimbangan sepanjang waktu.
4. Pastikan pijakan Anda sempurna saat berdiri di area miring.
5. Berjalanlah, jangan berlari.
6. Jauhkan semua inlet udara pendingin dari serpihan.
7. Jangan pernah meniupkan serpihan ke arah orang di sekitar.
8. Gunakan blower dalam posisi yang disarankan dan pada permukaan yang kokoh.
9. Jangan mengoperasikan blower di tempat yang tinggi.
10. Jangan mengarahkan nosel kepada siapa pun dalam jarak jangkauan saat menggunakan blower.
11. Jangan menghalangi inlet pengisap dan/atau outlet blower.
 - Berhati-hatilah agar inlet pengisap atau outlet blower tidak tersumbat oleh debu atau kotoran saat mengoperasikan di area berdebu.
 - Jangan gunakan nosel selain yang disediakan oleh Makita.
 - Jangan menggunakan blower untuk meniup bola, perahu karet atau benda sejenisnya.
12. Jangan menggunakan blower di dekat jendela yang terbuka, dll.
13. Disarankan menggunakan blower pada waktu yang wajar - bukan pada pagi hari atau larut malam yang mungkin dapat mengganggu orang.
14. Disarankan menggunakan garu dan sapu untuk membersihkan kotoran dari tanah sebelum menggunakan blower.
15. Jika blower meniup benda asing atau mengeluarkan suara atau getaran aneh, segera matikan blower. Lepaskan baterai dari blower dan periksa apakah ada kerusakan sebelum kembali menyalakan dan menggunakan blower. Jika blower rusak, hubungi Pusat Layanan Resmi Makita untuk memperbaikinya.
16. Jangan memasukkan jari atau benda lain ke dalam inlet pengisap atau outlet blower.

17. Cegah penyalaaan yang tidak disengaja. Pastikan bahwa sakelar berada dalam posisi mati sebelum memasukkan baterai, atau mengangkat atau membawa blower. Membawa blower dengan jari berada di sakelar atau mengalirkan listrik pada mesin listrik dengan sakelar hidup dapat memicu kecelakaan.
18. Jangan pernah meniuip bahan berbahaya, seperti paku, pecahan kaca, atau mata pisau.
19. Jangan mengoperasikan blower di dekat benda-benda yang mudah terbakar.
20. Hindari mengoperasikan blower dalam waktu lama di lingkungan bersuhu rendah.
21. Jangan gunakan mesin ketika ada risiko tersambar petir.
22. Ketika Anda menggunakan mesin di permukaan berlumpur, lereng basah, atau tempat yang licin, perhatikan pijakan Anda dengan saksama.
23. Hindari bekerja di lingkungan yang buruk yang dapat mengakibatkan kelelahan berlebih pada pengguna.
24. Jangan menggunakan mesin di cuaca yang buruk di mana jarak penglihatan menjadi terbatas. Jika Anda tidak mengikutinya, Anda dapat terjatuh atau pengoperasian dapat salah akibat jarak penglihatan yang rendah.
25. Jangan biarkan mesin terendam genangan air.
26. Saat daun yang basah atau kotoran menempel pada mulut penyedot (jendela ventilasi) akibat hujan, bersihkan.

Perawatan dan penyimpanan

1. Kencangkan semua mur, baut, dan sekrup pengencang untuk memastikan bahwa blower aman untuk digunakan.
2. Jika komponen aus atau rusak, ganti dengan komponen yang disediakan oleh Makita.
3. Simpan di tempat yang kering jauh dari jangkauan anak-anak.
4. Saat Anda menghentikan blower untuk melakukan pemeriksaan, servis, penyimpanan, atau penggantian aksesoris, matikan blower dan pastikan semua komponen yang bergerak telah berhenti sepenuhnya, lalu keluarkan baterai. Dinginkan blower sebelum melakukan perbaikan pada blower. Rawat blower dengan hati-hati dan jaga kebersihannya.
5. Selalu biarkan blower menjadi dingin sebelum disimpan.
6. Jangan membiarkan blower terkena hujan. Simpan blower di dalam ruangan.
7. Saat mengangkat blower, pastikan untuk menekuk lutut dan berhati-hati agar tidak mencederai punggung.
8. Jangan meninggalkan mesin tanpa pengawasan di luar saat hujan.
9. Jangan cuci mesin dengan penyemprot bertekanan tinggi.
10. Ketika menyimpan mesin, hindari terkena cahaya matahari dan hujan langsung, dan simpan di tempat yang jauh dari panas atau lembap.

11. Lakukan pemeriksaan di tempat yang terhindar dari hujan.
12. Setelah menggunakan mesin, bersihkan kotoran yang menempel dan keringkan mesin sepenuhnya sebelum disimpan. Tergantung pada musim atau tempat, terdapat risiko gangguan fungsi akibat pembekuan.
13. Jangan mengambil atau membawa mesin hanya dengan memegang kabelnya.

Penggunaan dan pemeliharaan mesin bertenaga baterai

1. Isi ulang baterai hanya dengan pengisi daya yang ditentukan oleh pabrikan. Pengisi daya yang cocok untuk satu jenis paket baterai dapat menimbulkan risiko kebakaran ketika digunakan untuk paket baterai yang lain.
2. Gunakan mesin listrik hanya dengan paket baterai yang telah ditentukan secara khusus. Penggunaan paket baterai lain dapat menimbulkan risiko cedera dan kebakaran.
3. Ketika paket baterai tidak digunakan, jauhkan dari benda logam lain, seperti penjepit kertas, uang logam, kunci, paku, sekrup atau benda logam kecil lainnya, yang dapat menghubungkan satu terminal ke terminal lain. Hubungan singkat terminal baterai dapat menyebabkan luka bakar atau kebakaran.
4. Pemakaian yang salah, dapat menyebabkan keluarnya cairan dari baterai; hindari kontak. Jika terjadi kontak secara tidak sengaja, bilas dengan air. Jika cairan mengenai mata, cari bantuan medis. Cairan yang keluar dari baterai bisa menyebabkan iritasi atau luka bakar.
5. Jangan menggunakan paket baterai atau mesin yang sudah rusak atau telah diubah. Baterai yang rusak atau telah diubah dapat menyebabkan hal-hal yang tidak dapat diprediksi yang dapat menyebabkan kebakaran, ledakan atau risiko cedera.
6. Jangan membiarkan paket baterai atau mesin dekat dengan api atau suhu yang berlebihan. Pajanan api atau suhu di atas 130 °C dapat menyebabkan ledakan.
7. Ikuti semua petunjuk pengisian daya dan jangan mengisi daya paket baterai atau mesin di luar rentang suhu yang ditentukan di panduan. Mengisi daya secara tidak tepat atau pada suhu di luar rentang yang ditentukan dapat merusak baterai dan meningkatkan risiko kebakaran.

Keselamatan listrik dan baterai

1. Jangan buang baterai ke nyala api. Sel baterai dapat meledak. Periksa kode setempat untuk petunjuk pembuangan khusus yang memungkinkan.
2. Jangan buka atau bongkar baterai. Elektrolit yang terlepas bersifat korosif dan dapat melukai mata atau kulit. Zat tersebut dapat beracun jika tertelan.
3. Jangan mengisi daya baterai saat hujan, atau di lokasi yang basah.
4. Jangan mengisi daya baterai di luar ruangan.

5. Jangan memegang pengisi daya, termasuk steker pengisi daya, dan terminal pengisi daya dengan tangan basah.
6. Jangan ganti baterai dalam kondisi hujan.
7. Jangan biarkan terminal baterai terkena basah seperti air, atau baterai terendam. Jangan tinggalkan baterai saat hujan, atau mengisi dayanya, menggunakan, atau menyimpan baterai di tempat yang lembap atau basah. Jika terminal basah atau cairan masuk ke dalam baterai, mungkin dapat terjadi hubung singkat dan terdapat risiko kelebihan panas, terbakar, atau meledak.
8. Setelah melepas baterai dari mesin atau pengisi daya, pastikan Anda memasang penutup ke baterai dan simpan di tempat kering.
9. Jangan ganti baterai dengan tangan basah.
10. Jika baterai basah, keringkan air di dalamnya kemudian usap dengan kain kering. Biarkan baterai benar-benar kering di tempat kering sebelum digunakan.

Servis

1. Berikan mesin listrik untuk diperbaiki hanya kepada oleh teknisi yang berkualifikasi dengan menggunakan hanya suku cadang pengganti yang serupa. Hal ini akan menjamin terjaganya keamanan mesin listrik.
2. Jangan pernah memperbaiki paket baterai yang sudah rusak. Perbaikan paket baterai harus dilakukan hanya oleh produsen atau penyedia servis resmi.

SIMPAN PETUNJUK INI.

⚠️ PERINGATAN: JANGAN biarkan kenyamanan atau terbiasanya Anda dengan produk (karena penggunaan berulang) mengurangi kepatuhan yang ketat terhadap aturan keselamatan untuk produk yang terkait.

PENYALAHGUNAAN atau kelalaian mematuhi kaidah keselamatan yang tertera dalam petunjuk ini dapat menyebabkan cedera badan serius.

Petunjuk keselamatan penting untuk kartrid baterai

1. Sebelum menggunakan kartrid baterai, bacalah semua petunjuk dan penandaan pada (1) pengisi daya baterai, (2) baterai, dan (3) produk yang menggunakan baterai.
 2. Jangan membongkar atau memodifikasi kartrid baterai. Tindakan tersebut dapat menimbulkan api, panas berlebih, atau ledakan.
 3. Jika waktu beroperasinya menjadi sangat singkat, segera hentikan penggunaan. Hal tersebut dapat menimbulkan risiko panas berlebih, kemungkinan mengalami luka bakar atau bahkan terjadi ledakan.
 4. Jika elektrolit mengenai mata Anda, basuh dengan air bersih dan segera cari pertolongan medis. Hal tersebut dapat mengakibatkan hilangnya kemampuan penglihatan Anda.
5. Jangan menghubungkan terminal kartrid baterai:
 - (1) Jangan menyentuh terminal dengan bahan penghantar listrik apa pun.
 - (2) Hindari menyimpan kartrid baterai pada wadah yang berisi benda logam lain seperti paku, uang logam, dsb.
 - (3) Jangan membiarkan baterai terkena air atau kehujanan.

Hubungan singkat baterai dapat menyebabkan aliran arus listrik yang besar, panas berlebih, kemungkinan mengalami luka bakar dan bahkan kerusakan pada baterai.
 6. Jangan menyimpan dan menggunakan mesin dan kartrid baterai pada lokasi dengan suhu yang bisa mencapai atau melebihi 50 °C (122 °F).
 7. Jangan membuang kartrid baterai di tempat pembakaran sampah walaupun benar-benar rusak atau tidak bisa digunakan sama sekali. Kartrid baterai bisa meledak jika terbakar.
 8. Jangan memaku, memotong, menghancurkan, melempar, menjatuhkan kartrid baterai, atau memukulkan benda keras ke kartrid baterai. Tindakan tersebut dapat menimbulkan api, panas berlebih, atau ledakan.
 9. Jangan menggunakan baterai yang rusak.
 10. **Baterai litium-ion yang disertakan sesuai dengan persyaratan Perundangan Makanan Berbahaya.**

Harus ada pengawasan untuk pengangkutan komersial misalnya oleh pihak ketiga, ekspeditor, persyaratan khusus terhadap pengemasan dan pelabelan.

Diperlukan adanya konsultasi dengan ahli mengenai material berbahaya untuk persiapan barang yang akan dikirimkan. Perhatikan pula peraturan nasional yang lebih terperinci yang mungkin ada.

Beri perekat atau tutupi bagian yang terbuka dan kemasi baterai dengan cara yang tidak akan menimbulkan pergeseran dalam pengemasan.
 11. **Ketika membuang kartrid baterai, lepaskan dari mesin dan buang ke tempat yang aman. Patuhi peraturan setempat yang berkaitan dengan pembuangan baterai.**
 12. **Gunakan baterai hanya dengan produk yang ditentukan oleh Makita.** Memasang baterai pada produk yang tidak sesuai dapat menyebabkan kebakaran, kelebihan panas, ledakan, atau kebocoran elektrolit.
 13. **Jika mesin tidak digunakan dalam jangka waktu yang lama, baterai harus dilepas dari mesin.**
 14. **Selama dan setelah digunakan, kartrid baterai mungkin menyimpan panas yang dapat menyebabkan luka bakar atau luka bakar suhu rendah.** Perhatikan cara memegang kartrid baterai yang masih panas.
 15. **Jangan langsung menyentuh terminal mesin setelah digunakan karena suhunya mungkin cukup panas untuk menyebabkan luka bakar.**

16. **Jangan biarkan serpihan, debu, atau tanah menempel di terminal, lubang, dan alur kartrid baterai.** Hal tersebut dapat mengakibatkan kinerja buruk atau kerusakan mesin maupun kartrid baterai.
17. **Kecuali jika mesin mendukung penggunaan di dekat saluran listrik bertegangan tinggi, jangan gunakan kartrid baterai di dekat saluran listrik bertegangan tinggi.** Hal tersebut dapat mengakibatkan kegagalan fungsi atau kerusakan mesin maupun kartrid baterai.
18. **Jauhkan baterai dari jangkauan anak-anak.**

SIMPAN PETUNJUK INI.

⚠️PERHATIAN: Gunakan baterai asli Makita. Penggunaan baterai Makita yang tidak asli, atau baterai yang sudah diubah, akan mengakibatkan baterai mudah terbakar, cedera dan kerusakan. Akan menghilangkan garansi Makita pada pengisi daya dan alat Makita.

Tip untuk menjaga agar umur pemakaian baterai maksimum

1. Isi ulang kartrid baterai sebelum habis sama sekali. Selalu hentikan penggunaan mesin dan ganti kartrid baterai jika Anda melihat bahwa mesin kurang tenaga.
2. Jangan pernah mengisi ulang kartrid baterai yang sudah diisi penuh. Pengisian ulang yang berlebihan memperpendek umur pemakaian baterai.
3. Isi ulang kartrid baterai pada suhu ruangan 10 °C - 40 °C. Biarkan kartrid baterai yang panas menjadi dingin terlebih dahulu sebelum diisi ulang.
4. Saat kartrid baterai tidak digunakan, lepaskan dari mesin atau pengisi daya.
5. Isi ulang daya kartrid baterai jika Anda tidak menggunakannya untuk jangka waktu yang lama (lebih dari enam bulan).

PERAKITAN

⚠️PERHATIAN: Selalu pastikan bahwa mesin dimatikan dan paket daya portabel dilepas dari mesin sebelum melakukan pekerjaan apa pun pada mesin.

Memasang nosel ujung

Sejajarkan tanda segitiga pada nosel ujung dengan tanda segitiga di pipa depan, lalu pasang nosel ujung ke pipa depan, kemudian putar nosel ujung untuk menguncinya.

Pasang nosel ujung sehingga ujung nosel menghadap ke bawah. Bergantung pada lingkungan kerja, Anda dapat memasang nosel ujung sehingga ujung nosel menghadap ke atas.

► **Gbr.1:** 1. Tanda segitiga 2. Ujung nosel 3. Pipa depan

Untuk melepas nosel ujung, lakukan langkah seperti prosedur pemasangan dengan urutan terbalik.

CATATAN: Panjang nosel dapat diubah dengan menggerakkan nosel seperti ditunjukkan pada gambar.

► **Gbr.2:** 1. Ujung nosel 2. Pipa depan

Memasang nosel datar atau nosel ekstensi

Pilihan aksesoris

1. Sejajarkan alur pada pipa adaptor dengan tonjolan di pipa depan, lalu pasang pipa adaptor ke pipa depan, kemudian putar untuk menguncinya.

► **Gbr.3:** 1. Pipa adaptor 2. Pipa depan

2. Sejajarkan alur pada nosel datar atau nosel ekstensi dengan tonjolan pada pipa adaptor, lalu pasang nosel datar atau nosel ekstensi ke pipa adaptor, kemudian putar untuk menguncinya.

► **Gbr.4:** 1. Nosel datar 2. Nosel ekstensi 3. Pipa adaptor

Memasang set nosel talang

Pilihan aksesoris

1. Sejajarkan alur pada pipa adaptor dengan tonjolan di pipa depan, lalu pasang pipa adaptor ke pipa depan, kemudian putar untuk menguncinya.

Masukkan pipa adaptor sejauh mungkin sehingga tonjolan masuk ke alur paling dalam pada pipa adaptor.

► **Gbr.5:** 1. Sekrup 2. Penjepit selang 3. Pipa adaptor 4. Pipa depan

2. Longgarkan sekrup pada klem selang, lalu masukkan klem selang besar melalui pipa adaptor, kemudian masukkan klem selang kecil.

3. Sambungkan pipa ekstensi ke pipa adaptor.

Sejajarkan alur pada pipa ekstensi dengan tonjolan pada pipa adaptor, kemudian geser pipa ekstensi di sepanjang alurnya hingga tanda segitiga saling berhadapan.

► **Gbr.6:** 1. Pipa ekstensi 2. Pipa adaptor

4. Tempatkan penjepit selang ke alur seperti yang diilustrasikan, lalu kencangkan sekrup.

► **Gbr.7:** 1. Sekrup 2. Penjepit selang

5. Sesuai ketinggian kerja, sambungkan pipa ekstensi yang tersisa ke pipa ekstensi yang sudah terpasang.

⚠️PERHATIAN: Jangan pasang pipa ekstensi jika panjang total termasuk bodi blower lebih dari 4 m (14 kaki).

6. Putar outlet nosel ujung seperti yang ditunjukkan pada gambar.

► **Gbr.8**

7. Sambungkan nosel ujung ke pipa ekstensi. Saat menyambungkan, sejajarkan tanda segitiga pada nosel ujung dan pipa ekstensi, lalu dorong nosel ujung sampai berbunyi klik. Setelah itu, putar nosel ujung ke posisi yang sesuai untuk pekerjaan Anda.

► **Gbr.9:** 1. Nosel ujung 2. Pipa ekstensi 3. Tanda segitiga

Saat melepaskan nosel ujung, sejajarkan tanda segitiga pada nosel ujung dan pipa ekstensi, lalu tarik nosel ujung dari pipa ekstensi.

► **Gbr.10:** 1. Nosel ujung 2. Pipa ekstensi 3. Tanda segitiga

DESKRIPSI FUNGSI

⚠️PERHATIAN: Selalu pastikan bahwa mesin dimatikan dan paket daya portabel dilepas dari mesin sebelum menyatel atau memeriksa fungsi mesin.

Sistem perlindungan mesin / baterai

Mesin ini dilengkapi dengan sistem perlindungan mesin/baterai. Sistem ini memutuskan aliran daya ke motor secara otomatis untuk memperpanjang umur pakai mesin dan baterai. Mesin akan berhenti secara otomatis saat dioperasikan jika mesin atau baterai mengalami salah satu dari kondisi-kondisi berikut ini:

Perlindungan kelebihan beban

Jika mesin atau baterai digunakan dengan cara yang menjadikan baterai mengeluarkan arus tinggi yang berlebihan, mesin akan berhenti secara otomatis dan lampu daya utama mesin berkedip hijau. Dalam situasi ini, matikan mesin dan hentikan pekerjaan yang menyebabkan peralatan mengalami kelebihan beban. Kemudian, nyalakan mesin untuk kembali melanjutkan pekerjaan.

Perlindungan panas berlebih

Saat mesin atau baterai terlalu panas, mesin akan berhenti secara otomatis. Jika mesin mengalami kelebihan panas, lampu daya utama mesin akan menyala merah. Jika terjadi, lepaskan baterai dari mesin dan baterai menjadi dingin sebelum dinyalakan kembali.

Perlindungan pengisian daya berlebih

Apabila kapasitas baterai tidak mencukupi, mesin akan berhenti secara otomatis dan lampu daya utama mesin akan berkedip merah. Jika terjadi, lepaskan baterai dari mesin dan isi baterai atau ganti baterai dengan yang terisi penuh.

Sakelar daya utama

⚠️PERINGATAN: Selalu matikan sakelar daya utama saat tidak digunakan.

Untuk menyalakan mesin, tekan sakelar daya utama. Lampu daya utama menyala hijau. Untuk mematikan, tekan sakelar daya utama lagi.

► **Gbr.11:** 1. Lampu daya utama 2. Sakelar daya utama

CATATAN: Mesin ini menggunakan fungsi pemutus daya otomatis. Untuk menghindari penyalaan yang tidak disengaja, sakelar daya utama akan secara otomatis mati ketika pelatuk sakelar tidak ditarik selama beberapa saat setelah sakelar daya utama dinyalakan.

CATATAN: Jika Anda menekan sakelar daya utama ketika tuas kontrol tidak dikembalikan sepenuhnya ke posisi mati, atau saat Anda menarik pelatuk sakelar, lampu daya utama akan berkedip hijau. Dalam kondisi ini, kembalikan tuas kontrol sepenuhnya, atau lepaskan pelatuk sakelar, lalu tekan sakelar daya utama.

Kerja sakelar

⚠️PERINGATAN: Sebelum memasang paket daya portabel pada mesin, selalu periksa untuk memastikan pelatuk sakelar berfungsi dengan baik dan kembali ke posisi "OFF" saat dilepas.

Untuk menjalankan mesin, cukup tarik pelatuk sakelar. Kecepatan akan meningkat dengan menambah tekanan pada pelatuk sakelar. Lepaskan pelatuk sakelar untuk menghentikan.

► **Gbr.12:** 1. Pelatuk sakelar

Anda dapat menggunakan mesin dalam mode Boost. Dalam mode Boost, volume udara akan menjadi lebih besar jika dibandingkan dalam mode normal. Untuk menggunakan mesin dalam mode Boost, tarik pelatuk sakelar hingga pelatuk sakelar berhenti di posisi setengah, lalu tarik pelatuk sakelar hingga maksimal.

► **Gbr.13:** 1. Pelatuk sakelar

CATATAN: Bergantung pada kondisi penggunaan, penggunaan mode Boost terbatas untuk melindungi mesin. Jika lampu daya utama mesin berkedip hijau ketika Anda menarik pelatuk sakelar hingga maksimal atau saat Anda menggunakan mesin dalam mode Boost, mode Boost tidak akan tersedia.

CATATAN: Mode Boost tidak tersedia dengan memutar tuas kontrol.

Fungsi kontrol jelajah

Fungsi kontrol jelajah memungkinkan operator untuk mempertahankan kecepatan konstan tanpa menarik pelatuk. Untuk menambah kecepatan, putar tuas kontrol ke depan. Untuk mengurangi kecepatan, putar tuas kontrol ke belakang.

► **Gbr.14:** 1. Tuas kontrol

Fungsi pencegah penyalaan ulang secara tidak sengaja

Meskipun Anda menghubungkan paket daya portabel ke mesin sembari menarik pelatuk sakelar, mesin tidak akan menyala. Untuk menyalakan mesin, lepaskan pelatuk sakelar dan kembalikan tuas kontrol sepenuhnya terlebih dahulu, lalu tarik pelatuk sakelar.

PENGUNAAN

Menghubungkan paket daya portabel

⚠️PERHATIAN: Saat Anda menggunakan mesin bersama dengan pasokan daya tipe ransel seperti paket daya portabel, gunakan pita penggantung yang disertakan dalam paket mesin atau pita penggantung yang direkomendasikan oleh Makita.

Jika Anda mengenakan harness bahu yang tidak direkomendasikan oleh Makita dan harness bahu dari pasokan daya tipe ransel pada saat yang sama, melepas mesin atau pasokan daya tipe ransel akan sulit jika terjadi keadaan darurat sehingga dapat menyebabkan kecelakaan atau cedera. Untuk pita penggantung yang direkomendasikan, tanyakan ke Pusat Layanan Resmi Makita.

⚠️PERHATIAN: Sebelum operasi, pastikan bahwa gesper pada ikat pinggang terkunci dan mesin terpasang dengan benar ke pengait pita penggantung.

⚠️PERHATIAN: Untuk mencegah penyalaan yang tidak disengaja, pastikan mesin dan paket daya portabel dimatikan sebelum memulai prosedur ini.

⚠️PERHATIAN: Sebelum melakukan prosedur ini, selesaikan penyetelan untuk ikat pinggang dan harness bahu. Baca petunjuk penggunaan paket daya portabel untuk informasi lebih detail.

Untuk PDC1200

⚠️PERHATIAN: Saat melepas baterai, tekan tombol kunci sambil memegang pegangan dengan kencang. Sebelum melepas baterai, setel ikat pinggang ke posisi paling bawah.

► **Gbr.15:** 1. Pegangan 2. Tombol kunci

⚠️PERHATIAN: Berhati-hatilah agar jari tangan atau ibu jari Anda tidak terjepit di antara baterai dan pelat dudukan saat memasang baterai.

⚠️PERHATIAN: Pastikan posisi baterai telah terkunci dengan kuat pada pelat dudukan. Jika tidak, baterai bisa jatuh saat Anda mengenakan unit atau menggunakan unit dan menyebabkan cedera. Jika Anda bisa melihat indikator berwarna merah seperti yang ditunjukkan pada gambar, ini artinya baterai tidak terkunci sempurna.

► **Gbr.16:** 1. Indikator berwarna merah

Untuk PDC01

CATATAN: Sebelum melakukan prosedur ini, pasang kartrid baterai ke paket daya portabel. Baca petunjuk penggunaan paket daya portabel untuk informasi lebih detail.

1. Cabut kabel dari sisi kiri atau kanan baterai.

Untuk PDC1200

Lepaskan baterai dari pelat dudukan, lalu tarik kabel dari sisi kiri atau kanan baterai, lalu pasang baterai ke pelat dudukan. Ketika menarik kabel, pastikan kabel terpasang pada penahan seperti ditunjukkan pada gambar.

► **Gbr.17:** 1. Kabel 2. Penahan

Untuk PDC01

Ketika menarik kabel, pastikan kabel terpasang pada penahan seperti ditunjukkan pada gambar.

► **Gbr.18:** 1. Kabel 2. Penahan

2. Pasang kabel ke penahan kabel.

► **Gbr.19:** 1. Penahan kabel

3. Pasang kait dari pita penggantung pada cincin dari harness bahu dan ikat pinggang.

► **Gbr.20:** 1. Cincin 2. Kait

4. Tekan tombol daya pada paket daya portabel. Lampu daya utama akan menyala.

Untuk PDC1200

► **Gbr.21:** 1. Tombol daya 2. Lampu daya utama

Untuk PDC01

► **Gbr.22:** 1. Tombol daya 2. Lampu daya utama

5. Pakai harness bahu dari paket daya portabel dan kunci gesper pada ikat pinggang.

► **Gbr.23**

6. Pasang harness bahu ke mesin menggunakan pengait pada pita penggantung. Pastikan untuk mengaitkan gantungan pada mesin.

► **Gbr.24:** 1. Kait 2. Gantungan

Sesuaikan panjang dari pita penggantung sesuai kebutuhan.

► **Gbr.25**

7. Pasang steker mesin pada soket paket daya portabel.

Saat memasang steker, sejajarkan tanda segitiga pada steker dan soket.

► **Gbr.26:** 1. Steker 2. Soket 3. Tanda segitiga

8. Tekan sakelar daya utama untuk menghidupkan mesin.

Mesin siap untuk dioperasikan. Mesin akan bekerja saat Anda menarik pelatuk sakelar.

► **Gbr.27:** 1. Sakelar daya utama

CATATAN: Anda juga dapat menggunakan pita penggantung seperti yang ditunjukkan pada gambar.

► **Gbr.28**

Sesuaikan panjang dari pita penggantung sesuai kebutuhan.

► **Gbr.29**

Operasi mesin peniup

⚠️PERHATIAN: Jangan meletakkan mesin di atas tanah saat menghidupkannya. Pasir atau debu dapat masuk dari inlet pengisap dan menyebabkan kerusakan fungsi atau cedera badan.

Pegang mesin dengan kuat menggunakan tangan dan lakukan operasi peniupan dengan menggerakannya perlahan. Saat mengoperasikan di sekitar bangunan, batu besar atau kendaraan, arahkan nosel menjauh dari bangunan/benda tersebut. Saat melakukan pengoperasian di sudut, mulai dari sudut, kemudian pindah ke area yang luas.

► Gbr.30

Saat menurunkan mesin, buka kunci gesper pada pita penggantung dengan satu tangan sembari tangan lainnya memegang mesin.

► Gbr.31: 1. Gesper

► Gbr.32: 1. Gesper

Saat menurunkan mesin dan paket daya portabel secara bersamaan, buka kunci gesper pada ikat pinggang, lalu turunkan mesin dan paket daya portabel.

► Gbr.33: 1. Gesper

CATATAN: Saat membuka kunci gesper, tekan penjepit gesper di kedua sisi. Saat mengunci gesper, masukkan penjepit hingga terkunci.

► Gbr.34: 1. Penjepit

Menggunakan set nosel talang

⚠️PERHATIAN: Saat menggunakan set nosel talang, jangan gunakan mesin dalam mode Boost. Anda bisa saja kehilangan keseimbangan dan ini dapat menyebabkan kecelakaan karena volume udara menjadi lebih besar dalam mode Boost.

⚠️PERHATIAN: Saat menggunakan set nosel talang, pegang blower dengan kedua tangan, jangan hanya satu tangan.

► Gbr.35

⚠️PERHATIAN: Jangan gunakan set nosel talang di dekat kabel listrik.

► Gbr.36

⚠️PERHATIAN: Jangan gunakan set nosel talang saat ada angin yang cukup kencang.

► Gbr.37

⚠️PERHATIAN: Saat menggunakan set nosel talang, jangan biarkan orang lain atau hewan mendekati blower dengan jarak kurang dari 15 m (50 kaki).

► Gbr.38

Pegang blower secara tegak dengan memegang pegangan blower. Tempatkan outlet blower di talang, lalu hidupkan blower.

► Gbr.39

PERAWATAN

⚠️PERHATIAN: Selalu pastikan bahwa mesin telah dimatikan dan paket daya portabel dilepas dari mesin sebelum melakukan inspeksi atau pemeliharaan.

Untuk menjaga KEAMANAN dan KEANDALAN mesin, perbaikan, perawatan atau penyetulan lainnya harus dilakukan oleh Pusat Layanan Resmi atau Pabrik Makita; selalu gunakan suku cadang pengganti buatan Makita.

Membersihkan mesin

Bersihkan mesin dari debu menggunakan kain kering atau dicelupkan di air sabun dan diperas.

► Gbr.40

PEMBERITAHUAN: Jangan sekali-kali menggunakan bensin, tiner, alkohol, atau bahan sejenisnya. Penggunaan bahan demikian dapat menyebabkan perubahan warna, perubahan bentuk atau timbulnya retakan.

Bersihkan debu atau kotoran dari inlet pengisap di bagian belakang mesin.

► Gbr.41: 1. Inlet pengisap

Penyimpanan

Sebelum menyimpan mesin, lepaskan paket daya portabel dari mesin, lalu lakukan pemeliharaan menyeluruh. Simpan mesin di tempat yang jauh dari jangkauan anak-anak dan tidak terkena udara lembap, hujan, atau sinar matahari langsung.

Lubang kait di bagian bawah mesin dapat digunakan untuk menggantung mesin di dinding menggunakan paku atau sekrup.

► Gbr.42: 1. Lubang

PEMECAHAN MASALAH

Sebelum meminta perbaikan, lakukan pemeriksaan mandiri terlebih dahulu. Jika Anda menemukan masalah yang tidak dijelaskan dalam buku petunjuk ini, jangan coba membongkar mesin. Hubungi Pusat Servis Resmi Makita, dan selalu gunakan suku cadang pengganti Makita untuk perbaikan.

Keadaan Tidak Normal	Kemungkinan penyebab (kerusakan fungsi)	Perbaikan
Motor tidak berjalan.	Baterai tidak terpasang.	Pasang baterai.
	Masalah baterai (kekurangan tegangan)	Isi ulang daya baterai. Jika pengisian ulang daya tidak berhasil, gantilah baterai.
	Sistem penggerak tidak bekerja secara benar.	Mintalah pusat servis resmi setempat untuk melakukan perbaikan.
Motor berhenti setelah digunakan sebentar.	Daya baterai rendah.	Isi ulang daya baterai. Jika pengisian ulang daya tidak berhasil, gantilah baterai.
	Panas berlebih.	Hentikan penggunaan agar mesin dapat menjadi dingin.
Mesin tidak mencapai kecepatan maksimum.	Baterai dipasang secara tidak tepat.	Pasang baterai seperti yang dijelaskan dalam buku petunjuk ini.
	Daya baterai menurun.	Isi ulang daya baterai. Jika pengisian ulang daya tidak berhasil, gantilah baterai.
	Sistem penggerak tidak bekerja secara benar.	Mintalah pusat servis resmi setempat untuk melakukan perbaikan.
Getaran tidak normal: ⇒ segera hentikan mesin!	Sistem penggerak tidak bekerja secara benar.	Mintalah pusat servis resmi setempat untuk melakukan perbaikan.
Motor tidak dapat berhenti: ⇒ Segera lepaskan baterai!	Gangguan listrik atau elektronik.	Lepas baterai dan mintalah pusat servis resmi setempat untuk melakukan perbaikan.

AKSESORI PILIHAN

⚠PERHATIAN: Dianjurkan untuk menggunakan aksesoris atau perangkat tambahan ini dengan produk Makita Anda yang ditentukan dalam petunjuk ini. Penggunaan aksesoris atau perangkat tambahan lain bisa menyebabkan risiko cedera pada manusia. Hanya gunakan aksesoris atau perangkat tambahan yang sesuai dengan tujuan yang telah ditetapkan.

Jika Anda memerlukan bantuan lebih rinci berkenaan dengan aksesoris ini, tanyakan pada Pusat Layanan Makita terdekat.

- Pipa adaptor
- Nosel ekstensi
- Nosel datar
- Set nosel talang
- Rakitan pita
- Baterai dan pengisi daya asli buatan Makita

CATATAN: Beberapa item dalam daftar tersebut mungkin sudah termasuk dalam paket produk sebagai aksesoris standar. Kelengkapan item dapat berbeda dari satu negara ke negara lainnya.

SPEKIFIKASI

Model:		UB001C
Kapasiti	Isi padu udara	0 - 17.6 m ³ /min
	Kelajuan udara (purata)	0 - 58.0 m/s
	Kelajuan udara (maks.)	0 - 70.0 m/s
Panjang keseluruhan (dengan muncung hujung)		960 mm / 1,010 mm / 1,060 mm
Voltan terkadar		D.C. 36 V - 40 V maks
Berat bersih		2.6 - 2.9 kg
Tahap perlindungan		IPX4

- Disebabkan program penyelidikan dan pembangunan kami yang berterusan, spesifikasi yang terkandung di dalam ini adalah tertakluk kepada perubahan tanpa notis.
- Spesifikasi mungkin berbeza mengikut negara.
- Berat mengikut Prosedur EPTA 01/2014


Pek kuasa mudah alih yang boleh digunakan


PDC1200 / PDC01


⚠️ AMARAN: Gunakan hanya pek kuasa mudah alih yang disenaraikan di atas. Penggunaan mana-mana pek kuasa mudah alih lain mungkin menyebabkan kecederaan dan/atau kebakaran.


Simbol


Berikut menunjukkan simbol-simbol yang boleh digunakan untuk alat ini. Pastikan anda memahami maksudnya sebelum menggunakan.


 Sila gunakan dengan berhati-hati dan penuh perhatian.


 Baca manual arahan.

 Jauhkan tangan daripada bahagian berpusing.

 Rambut yang panjang mungkin menyebabkan kemalangan kekusutan.

 Pastikan orang sekeliling jauh.

 Pakai perlindungan mata dan telinga.

 Jangan dedahkan kepada kelembapan.



Ni-MH
Li-ion

Hanya untuk negara-negara EU
Jangan lupuskan peralatan elektrik atau pek bateri bersama-sama bahan sisa rumah!

Dalam mematuhi Arahan-Arahan Eropah mengenai Sisa Peralatan Elektrik dan Elektronik dan Bateri dan Akumulator dan Sisa Bateri dan Akumulator serta pelaksanaan mereka mengikut undang-undang negara, peralatan elektrik dan bateri dan pek-pek bateri yang telah mencapai akhir hayatnya mesti dikumpul secara berasingan dan dikembalikan ke kemudahan kitar semula yang bersesuaian dengan alam sekitar.

Tujuan penggunaan

Mesin ini bertujuan untuk menghembus habuk.

AMARAN KESELAMATAN

Arahan Keselamatan Penghembus Berkuasa Bateri

⚠️ AMARAN: Baca semua amaran keselamatan dan semua arahan. Kegagalan mematuhi amaran dan arahan boleh menyebabkan kejutan elektrik, kebakaran dan/atau kecederaan serius.

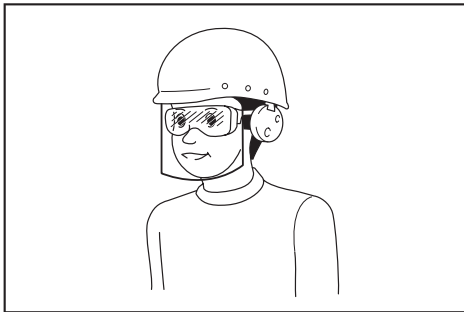
Simpan semua amaran dan arahan untuk rujukan masa depan.

Latihan

1. Baca manual arahan dengan teliti. Biasakan dengan kawalan dan penggunaan penghembus yang betul.
2. Jangan sekali-kali benarkan kanak-kanak, orang kurang keupayaan fizikal, deria atau mental atau kurang pengalaman dan pengetahuan atau orang yang tidak biasa dengan arahan ini untuk menggunakan penghembus tersebut. Peraturan keselamatan setempat boleh menghadkan umur pengendali.
3. Jangan sekali-kali kendalikan penghembus ketika orang, terutamanya kanak-kanak atau haiwan peliharaan berdekatan.
4. Ingat bahawa pengendali atau pengguna bertanggungjawab ke atas sebarang kemalangan atau bahaya yang berlaku kepada orang lain atau harta benda mereka.

Persediaan

1. Sentiasa memakai kasut yang sepadan dan seluar panjang semasa mengendalikan penghembus.
2. Jangan pakai pakaian yang longgar atau barang kemas yang boleh ditarik ke dalam salur masuk udara. Jauhkan rambut yang panjang dari salur masuk udara.
3. Sentiasa pakai kaca mata pelindung untuk melindungi mata anda daripada kecederaan apabila menggunakan alat kuasa. Kaca mata mestilah mematuhi ANSI Z87.1 di AS, EN 166 di Eropah, atau AS/NZS 1336 di Australia/New Zealand. Di Australia/New Zealand, undang-undang mengarahkan untuk memakai pelindung muka bagi melindungi muka anda, juga.



Menjadi tanggungjawab majikan untuk menguatkuasa penggunaan peralatan perlindungan keselamatan yang bersesuaian oleh pengendali alat dan oleh orang lain dalam kawasan bekerja semasa.

4. Untuk mencegah kerengsaan habuk, pemakaian topeng muka adalah disyorkan.
5. Semasa mengendalikan mesin, sentiasa pakai kasut tidak tergelincir dan perlindungan. But dan kasut tidak gelincir, jari kaki tertutup akan mengurangkan risiko kecederaan.
6. Gunakan peralatan pelindung diri. Sentiasa pakai pelindung mata. Peralatan pelindung seperti topeng debu, kasut keselamatan tak mudah tergelincir, topi keselamatan atau pelindung pendengaran yang digunakan untuk keadaan yang sesuai akan mengurangkan kecederaan diri.
7. Periksa kord sebelum mengendalikan mesin. Jika kord rosak, tanya Pusat Servis Makita yang Diiktiraf untuk pembaikan.

Pengendalian

1. Matikan penghembus dan keluarkan bateri dan pastikan semua bahagian yang bergerak telah berhenti sepenuhnya
 - pada bila-bila masa anda meninggalkan penghembus.
 - sebelum membersihkan sumbatan.
 - sebelum memeriksa, membersihkan atau bekerja dengan penghembus.
 - jika penghembus mula bergetar secara tidak normal.
2. Kendalikan penghembus hanya pada siang hari atau dalam cahaya buatan yang baik.
3. Jangan terlebih jangkau dan kekalkan tapak dan keseimbangan yang betul sepanjang masa.
4. Sentiasa pastikan pijakan anda pada cerun.
5. Berjalan, jangan sekali-kali berlari.
6. Pastikan semua salur masuk udara bebas daripada puing.
7. Jangan sekali-kali menghembus puing ke arah orang sekeliling.
8. Kendalikan penghembus dalam kedudukan yang disyorkan dan pada permukaan yang kukuh.
9. Jangan kendalikan penghembus di tempat tinggi.
10. Jangan sekali-kali menghalakan muncung pada sesiapa sahaja di sekitar ketika menggunakan penghembus.
11. Jangan sekali-kali menyekat salur masuk sedutan dan/atau salur keluar penghembus.
 - Berhati-hati supaya tidak menyekat salur masuk sedutan atau salur keluar penghembus dengan habuk atau kotoran semasa beroperasi di kawasan yang berdebu.
 - Jangan gunakan muncung selain daripada muncung yang disediakan oleh Makita.
 - Jangan gunakan penghembus untuk mengembungkan bola, bot getah atau yang serupa.
12. Jangan gunakan penghembus berhampiran tingkap terbuka, dll.
13. Pengendalian penghembus hanya pada waktu yang munasabah adalah disyorkan - tidak pada awal pagi atau larut malam apabila orang mungkin terganggu.
14. Menggunakan pencakar dan penyapu untuk mengemburkan puing sebelum dihembus adalah disyorkan.

15. Jika penghembus terkena mana-mana objek asing atau mula mengeluarkan bunyi atau getaran yang luar biasa, segera matikan penghembus untuk menghentikannya. Tanggalkan bateri dari penghembus dan periksa penghembus untuk kerosakan sebelum memulakan semula dan mengendalikan penghembus. Jika penghembus rosak, tanya Pusat Servis Makita yang Diiktiraf untuk pembaikan.
16. Jangan masukkan jari atau benda lain ke dalam salur masuk sedutan atau salur keluar penghembus.
17. Elakkan permulaan yang tidak disengajakan. Pastikan suis pada kedudukan tertutup sebelum memasukkan bateri, mengangkat atau membawa penghembus. Membawa penghembus dengan jari anda pada suis atau mentenagakan penghembus dengan suis pada kedudukan hidup mengundang kemalangan.
18. Jangan sekali-kali menghembus bahan berbahaya, seperti paku, serpihan kaca, atau bilah.
19. Jangan kendalikan penghembus berhampiran bahan mudah terbakar.
20. Elakkan pengendalian penghembus untuk masa yang lama dalam persekitaran suhu rendah.
21. Jangan gunakan mesin apabila terdapat risiko kilat.
22. Apabila anda menggunakan mesin di tanah berlumpur, cerun basah, atau tempat yang licin, beri perhatian kepada kedudukan anda.
23. Elakkan bekerja di persekitaran teruk di mana meningkatkan keletihan pengguna.
24. Jangan gunakan mesin dalam cuaca buruk di mana penglihatan yang terhad. Kegagalan berbuat demikian boleh menyebabkan pengendalian jatuh atau tidak betul kerana jarak penglihatan yang rendah.
25. Jangan menenggelamkan mesin ke dalam lopak.
26. Apabila daun atau kotoran basah melekat pada mulut sedutan (tetingkap pengudaraan) akibat hujan, keluarkannya.

Penyelenggaraan dan penyimpanan

1. Pastikan semua nat, bolt dan skru ketat untuk memastikan penghembus dalam keadaan kerja yang selamat.
2. Jika bahagian haus atau rosak, gantikannya dengan alat ganti yang disediakan oleh Makita.
3. Simpan penghembus di tempat yang selamat yang jauh daripada jangkauan kanak-kanak.
4. Semasa anda menghentikan penghembus untuk pemeriksaan, servis, penyimpanan, atau menukar aksesori, matikan penghembus dan pastikan semua bahagian yang bergerak berhenti sepenuhnya, dan keluarkan bateri. Sejukkan penghembus sebelum membuat apa-apa kerja pada penghembus. Selenggara penghembus dengan berhati-hati dan pastikan ia bersih.
5. Sentiasa sejukkan penghembus sebelum menyimpan.

6. Jangan dedahkan penghembus kepada hujan. Simpan penghembus di dalam bangunan.
7. Apabila anda mengangkat penghembus, pastikan anda membengkokkan lutut anda dan berhati-hati supaya tidak mencederakan belakang anda.
8. Jangan biarkan mesin di luar rumah tanpa pengawasan di dalam hujan.
9. Jangan basuh mesin dengan air tekanan yang tinggi.
10. Semasa menyimpan mesin, elakkan cahaya matahari dan hujan secara langsung, dan simpan di tempat yang tidak panas atau lembap.
11. Melakikan pemeriksaan atau penyelenggaraan di tempat di mana hujan dapat dielakkan.
12. Selepas menggunakan mesin, keluarkan kotoran yang melekat dan keringkan mesin sepenuhnya sebelum menyimpan. Bergantung kepada musim atau kawasan, terdapat risiko kerosakan akibat pembekuan.
13. Jangan angkat atau bawa mesin dengan memegang kord sahaja.

Penggunaan dan penjagaan alat bateri

1. Cas semula dengan pengecas yang ditentukan oleh pengeluar sahaja. Pengecas yang sesuai untuk satu jenis pek bateri mungkin menimbulkan risiko kebakaran apabila digunakan dengan pek bateri lain.
2. Gunakan alat kuasa dengan pek bateri yang ditentukan secara khusus sahaja. Penggunaan mana-mana pek bateri lain mungkin menimbulkan risiko kecederaan dan kebakaran.
3. Apabila pek bateri tidak digunakan, jauhkannya daripada objek logam lain, seperti klip kertas, duit syiling, kunci, paku, skru atau objek logam kecil lain, yang boleh membuat sambungan dari satu terminal ke terminal yang lain. Memintas terminal bateri bersama-sama mungkin menyebabkan lecuran atau kebakaran.
4. Di bawah keadaan kasar, cecair mungkin dikeluarkan daripada bateri; elakkan sentuhan. Jika tersentuh secara tidak sengaja, siram dengan air. Jika cecair terkena mata, dapatkan bantuan perubatan di samping siraman air. Cecair yang dikeluarkan dari bateri mungkin menyebabkan kegatalan atau luka kebakaran.
5. Jangan gunakan pek bateri atau alat yang rosak atau diubah suai. Bateri yang rosak atau diubah suai mungkin menunjukkan perilaku yang tidak dijangka menyebabkan kebakaran, letupan atau risiko kecederaan.
6. Jangan dedahkan pek bateri atau alat kepada api atau suhu yang berlebihan. Pendedahan kepada api atau suhu melebihi 130 °C mungkin menyebabkan letupan.
7. Ikut semua arahan pengecasan dan jangan cas pek bateri atau alat di luar julat suhu yang ditetapkan dalam arahan. Mengecas dengan tidak betul atau pada suhu di luar julat yang dinyatakan mungkin merosakkan bateri dan meningkatkan risiko kebakaran.

Keselamatan elektrik dan bateri

1. **Jangan hapuskan bateri dengan membakarnya.** Sel mungkin meletup. Periksa dengan kod tempatan untuk kemungkinan arahan pelupusan khas.
2. **Jangan buka atau merosakkan bateri.** Elektrolit yang dibebaskan adalah menghakis dan boleh menyebabkan kerosakan kepada mata atau kulit. Ia mungkin toksik jika tertelan.
3. **Jangan cas bateri dalam hujan, atau di lokasi yang basah.**
4. **Jangan cas bateri di luar.**
5. **Jangan kendalikan pengecas, termasuk palam pengecas, dan terminal pengecas dengan tangan yang basah.**
6. **Jangan menggantikan bateri dalam hujan.**
7. **Jangan basuh terminal bateri dengan cecair seperti air, atau menenggelamkan bateri. Jangan biarkan bateri yang dalam hujan, atau caj, penggunaan, atau simpan bateri di tempat yang lembap atau basah.** Jika terminal basah atau cecair masuk ke dalam bateri, bateri boleh litar pintas terdapat risiko terlalu panas, terbakar, atau letupan.
8. **Selepas mengeluarkan bateri dari mesin atau pengecas, pastikan memasang penutup bateri ke bateri dan simpannya di tempat yang kering.**
9. **Jangan ganti bateri dengan tangan basah.**
10. **Jika bateri basah, buang air di dalamnya dan kemudian lap dengan kain kering. Keringkan bateri sepenuhnya di tempat kering sebelum digunakan.**

Servis

1. **Pastikan alat kuasa anda diservis oleh orang yang berkelayakan dengan hanya menggunakan alat ganti yang sama.** Ini akan memastikan keselamatan alat kuasa dapat dikekalkan.
2. **Jangan sekali-kali melakukan servis pada pek bateri yang telah rosak.** Servis pek bateri hanya boleh dilakukan oleh pengeluar atau penyedia servis yang sah.

SIMPAN ARAHAN INI.

⚠️ AMARAN: JANGAN biarkan keselesaan atau kebiasaan dengan produk (daripada penggunaan berulang) menggantikan pematuhan ketat terhadap peraturan keselamatan untuk produk yang ditetapkan.

SALAH GUNA atau kegagalan mematuhi peraturan-peraturan keselamatan yang dinyatakan dalam manual arahan ini boleh menyebabkan kecederaan diri yang serius.

Arahan keselamatan penting untuk kartrij bateri

1. **Sebelum menggunakan kartrij bateri, baca semua arahan dan tanda amaran pada (1) pengecas bateri, (2) bateri, dan (3) produk menggunakan bateri.**
2. **Jangan buka atau cabut kartrij bateri.** Ia boleh mengakibatkan kebakaran, haba berlebihan, atau letupan.
3. **Jika masa operasi menjadi sangat pendek, berhenti operasi serta merta.** Ia mungkin menyebabkan risiko pemanasan lampau, melecur bahkan letupan.
4. **Jika elektrolit masuk ke dalam mata anda, bilas mata dengan air jernih dan dapatkan rawatan perubatan serta merta.** Ia mungkin menyebabkan kehilangan penglihatan.
5. **Jangan pintaskan kartrij bateri:**
 - (1) **Jangan sentuh terminal dengan bahan berkonduksi.**
 - (2) **Elakkan menyimpan kartrij bateri dalam bekas bersama-sama objek besi lain seperti paku, duit syiling, dll.**
 - (3) **Jangan dedahkan kartrij bateri kepada air atau hujan.**

Pintasan bateri boleh menyebabkan aliran kuasa yang besar, pemanasan lampau, melecur dan juga kerosakan.
6. **Jangan simpan dan gunakan alat dan kartrij bateri di lokasi yang suhunya mungkin mencapai atau melebihi 50 °C (122 °F).**
7. **Jangan bakar kartrij bateri walaupun jika ia rosak teruk atau haus sepenuhnya.** Kartrij bateri boleh meletup dalam kebakaran.
8. **Jangan paku, potong, pecahkan, buang, jatuhkan kartrij bateri, atau tekan objek keras pada kartrij bateri.** Perbuatan sedemikian boleh mengakibatkan kebakaran, haba berlebihan, atau letupan.
9. **Jangan gunakan bateri yang rosak.**
10. **Bateri litium ion yang terkandung adalah tertakluk kepada keperluan Perundangan Barangan Berbahaya.**

Bagi pengangkutan komersil cth. oleh pihak ketiga, ejen penghantar, keperluan khas pada pembungkusan dan pelabelan mestilah diperhatikan.

Bagi persediaan item yang dihantar, berunding dengan pakar bahan berbahaya adalah diperlukan. Sila juga perhatikan sebolehnya peraturan kebangsaan yang lebih terperinci. Lekatkan atau balut bahagian terbuka dan pek bateri supaya ia tidak bergerak dalam pembungkusan.
11. **Apabila melupuskan kartrij bateri, keluarkan ia daripada alat dan lupuskan ia di tempat selamat.** Ikut peraturan tempatan anda mengenai pelupusan bateri.
12. **Gunakan bateri hanya dengan produk yang ditentukan oleh Makita.** Memasang bateri kepada produk yang tidak patuh mungkin menyebabkan kebakaran, pemanasan lampau, atau kebocoran elektrolit.

13. Jika alat tidak digunakan untuk tempoh masa yang lama, bateri mesti dikeluarkan daripada alat.
14. Semasa dan selepas penggunaan, kartrij bateri mungkin ada haba yang boleh menyebabkan terbakar atau suhu rendah terbakar. Beri perhatian kepada pengendalian kartrij bateri yang panas.
15. Jangan sentuh terminal alat itu selepas digunakan kerana ia mungkin panas menyebabkan terbakar.
16. Jangan biarkan cip, habuk, atau tanah terperangkap ke dalam terminal, lubang, dan alur kartrij bateri. Ia mungkin menyebabkan prestasi atau pecahan yang buruk dari alat atau kartrij bateri.
17. Melainkan alat ini menyokong penggunaan yang hampir dari talian kuasa elektrik voltan tinggi, jangan gunakan kartrij bateri berhampiran talian kuasa elektrik voltan tinggi. Ia mungkin menyebabkan kerosakan atau pecah pada alat atau kartrij bateri.
18. Jauhkan bateri daripada kanak-kanak.

SIMPAN ARAHAN INI.

⚠️PERHATIAN: Hanya gunakan bateri asli Makita. Penggunaan bateri tidak asli Makita, atau bateri yang telah diubah suai, mungkin menyebabkan bateri meletup menyebabkan kebakaran, kecederaan diri dan kerosakan. Ia juga membatalkan jaminan Makita untuk alat Makita dan pengecas.

Tip untuk mengekalkan hayat bateri maksimum

1. Cas kartrij bateri sebelum ternyahcas sepenuhnya. Sentiasa hentikan operasi alat dan cas kartrij bateri apabila anda menyedari kurang kuasa alat.
2. Jangan cas semula kartrij bateri yang dicas sepenuhnya. Terlebih cas memendekkan hayat servis bateri.
3. Cas kartrij bateri dengan suhu bilik pada 10 °C - 40 °C (50 °F - 104 °F). Biarkan kartrij bateri yang panas menyejuk sebelum mengecasnya.
4. Apabila tidak menggunakan kartrij bateri, tanggalkannya dari alat atau pengecas.
5. Cas kartrij bateri jika anda tidak gunakannya untuk tempoh yang lama (lebih daripada enam bulan).

PEMASANGAN

⚠️PERHATIAN: Sentiasa pastikan mesin dimatikan dan pek kuasa mudah alih diputuskan sambungan dari mesin sebelum menjalankan sebarang kerja pada mesin.

Memasang muncung hujung

Jajarkan tanda segi tiga pada muncung hujung dengan tanda segi tiga pada paip depan, kemudian pasang muncung hujung ke paip depan dan pusing muncung hujung untuk mengunci ke tempatnya.

Pasang muncung hujung supaya hujung muncung menghadap ke bawah. Bergantung pada persekitaran kerja, anda boleh memasang muncung hujung supaya hujung muncung menghadap ke atas.

- **Rajah1:** 1. Tanda segi tiga 2. Muncung hujung 3. Paip depan

Untuk menanggalkan muncung hujung, lakukan prosedur pemasangan secara terbalik.

NOTA: Panjang muncung boleh ditukar dengan menggerakkan muncung seperti yang ditunjukkan dalam rajah.

- **Rajah2:** 1. Muncung hujung 2. Paip depan

Memasang muncung leper dan muncung pemanjangan

Aksesori pilihan

1. Jajarkan alur pada paip penyesuai dengan tonjolan pada paip depan, kemudian pasang paip penyesuai ke paip depan, dan kemudian pusingkannya untuk mengunci ke tempatnya.

- **Rajah3:** 1. Paip penyesuai 2. Paip depan

2. Jajarkan alur pada muncung leper atau muncung pemanjangan dengan tonjolan pada paip penyesuai, kemudian pasang muncung leper atau muncung pemanjangan ke paip penyesuai, dan kemudian pusingkannya untuk mengunci ke tempatnya.

- **Rajah4:** 1. Muncung leper 2. Muncung pemanjangan 3. Paip penyesuai

Memasang set muncung talang

Aksesori pilihan

1. Jajarkan alur pada paip penyesuai dengan tonjolan pada paip depan, kemudian pasang paip penyesuai ke paip depan, dan kemudian pusingkannya untuk mengunci ke tempatnya.

Masukkan paip penyesuai sejauh mungkin supaya tonjolan betul-betul masuk ke alur paling dalam pada paip penyesuai.

- **Rajah5:** 1. Skru 2. Pengapit hos 3. Paip penyesuai 4. Paip depan

2. Longgarkan skru pada pengapit hos, dan lakukan pengapit hos besar melalui paip penyesuai, dan kemudian lakukan pengapit hos kecil.

3. Sambungkan paip sambungan ke paip penyesuai.

Jajarkan alur pada paip pemanjangan dengan tonjolan pada paip penyesuai, dan kemudian gelongsorkan paip di sepanjang alurnya supaya tanda segi tiga menghadap satu sama lain.

► **Rajah6:** 1. Paip pemanjangan 2. Paip penyesuai

4. Letakkan pengapit hos pada alur seperti yang diilustrasikan dan ketatkan skru.

► **Rajah7:** 1. Skru 2. Pengapit hos

5. Mengikut ketinggian kerja, sambungkan paip pemanjangan ke paip pemanjangan yang sudah terpasang.

⚠PERHATIAN: Jangan pasang paip pemanjangan sekiranya panjang keseluruhan termasuk badan penghembus melebihi 4 m (14 ft).

6. Pusingkan salur keluar nozel hujung seperti yang ditunjukkan dalam rajah.

► **Rajah8**

7. Sambungkan hujung nozel ke paip pemanjangan. Semasa menyambung, jajarkan tanda segi tiga pada nozel hujung dan paip sambungan, dan kemudian tekan nozel hujung hingga bunyi klik dihasilkan. Selepas itu, putar nozel hujung ke kedudukan yang sesuai untuk kerja anda.

► **Rajah9:** 1. Muncung hujung 2. Paip pemanjangan 3. Tanda segi tiga

Semasa mengeluarkan nozel hujung, jajarkan tanda segi tiga pada nozel hujung dan nozel pemanjangan, dan kemudian tarik keluar nozel hujung dari paip pemanjangan.

► **Rajah10:** 1. Muncung hujung 2. Paip pemanjangan 3. Tanda segi tiga

KETERANGAN FUNGSI

⚠PERHATIAN: Sentiasa pastikan mesin dimatikan dan pek kuasa mudah alih diputuskan sambungan dari mesin sebelum menyelaras atau memeriksa fungsi pada mesin.

Sistem perlindungan bateri / mesin

Mesin dilengkapi dengan sistem perlindungan bateri/mesin. Sistem ini memutuskan kuasa kepada motor secara automatik untuk memanjangkan hayat mesin dan bateri. Mesin akan berhenti secara automatik ketika operasi jika mesin atau bateri diletakkan di bawah salah satu syarat yang berikut:

Perlindungan lebih beban

Apabila mesin atau bateri dikendalikan dengan cara yang menyebabkannya menarik arus yang luar biasa tinggi, mesin akan berhenti secara automatik dan lampu kuasa utama mesin berkelip dengan warna hijau. Dalam situasi ini, matikan mesin dan hentikan penggunaan yang menyebabkan mesin menjadi terlebih beban. Kemudian hidupkan mesin untuk mula semula.

Perlindungan pemanasan lampau

Apabila mesin atau bateri terlampau panas, mesin terhenti secara automatik. Apabila mesin terlampau panas, lampu kuasa utama mesin menyala dengan warna merah. Apabila bateri terlampau panas, lampu kuasa utama mesin berkelip dengan warna merah. Biarkan mesin dan bateri sejuk sebelum menghidupkan semula mesin.

Perlindungan lebih nyahcas

Apabila kapasiti bateri tidak mencukupi, mesin akan berhenti secara automatik dan lampu kuasa utama mesin berkelip dengan warna merah. Dalam kes ini, keluarkan bateri dari mesin dan cas bateri atau tukar bateri kepada yang telah dicas sepenuhnya.

Suis kuasa utama

⚠AMARAN: Sentiasa matikan suis kuasa utama apabila tidak digunakan.

Untuk menghidupkan mesin, tekan suis kuasa utama. Lampu kuasa utama menyala hijau. Untuk mematikan alat, tekan suis kuasa utama sekali lagi.

► **Rajah11:** 1. Lampu kuasa utama 2. Suis kuasa utama

NOTA: Mesin ini menggunakan fungsi kuasa auto. Untuk mengelakkan permulaan yang tidak disengajakan, suis kuasa utama akan dimatikan secara automatik apabila pemacu suis tidak ditarik untuk tempoh tertentu selepas suis kuasa utama dihidupkan.

NOTA: Jika anda menekan suis kuasa utama apabila tuil kawalan tidak kembali sepenuhnya ke kedudukan mati, atau semasa anda menarik pemacu suis, lampu kuasa utama berkelip dengan warna hijau. Dalam kes ini, kembalikan tuil kawalan sepenuhnya, atau lepaskan pemacu suis, dan kemudian tekan suis kuasa utama.

Tindakan suis

⚠AMARAN: Sebelum menyambungkan pek kuasa mudah alih ke mesin, sentiasa periksa untuk melihat pemacu suis bergerak dengan betul dan kembali ke posisi "OFF" apabila dilepaskan.

Untuk memulakan mesin, hanya tarik pemacu suis. Kelajuan ditingkatkan dengan menambah tekanan pada pemacu suis. Lepaskan pemacu suis untuk berhenti.

► **Rajah12:** 1. Pemacu suis

Anda boleh menggunakan mesin ini dalam mod Galakan. Dalam mod Galakan, isi padu udara menjadi lebih besar daripada dalam mod biasa. Untuk menggunakan mesin dalam mod Galakan, tarik pemacu suis sehingga pemacu suis terhenti dalam kedudukan separuh jalan, dan kemudian tarik pemacu suis sepenuhnya.

► **Rajah13:** 1. Pemacu suis

NOTA: Bergantung pada keadaan penggunaan, penggunaan mod Galakan adalah terhad untuk melindungi mesin. Jika lampu kuasa utama mesin berkedip dengan warna hijau semasa anda menarik pemicu suis sepenuhnya atau semasa anda menggunakan mesin dalam mod Galakan, mod Galakan tidak tersedia.

NOTA: Mod Galakan tidak tersedia dengan memusing tuil kawalan.

Fungsi pengawal luncur

Fungsi pengawal luncur membolehkan pengendali mengekalkan kelajuan malar tanpa menarik pemicu. Untuk menambahkan kelajuan, putar tuil kawalan ke hadapan. Untuk mengurangkan kelajuan, putar tuil kawalan ke belakang.

► **Rajah14:** 1. Tuil kawalan

Fungsi pencegahan mula semula secara tidak sengaja

Walaupun jika anda menyambung pek kuasa mudah alih ke mesin semasa menarik pemicu suis, mesin tidak akan mula. Untuk memulakan mesin, lepaskan pemicu suis terlebih dahulu dan kembalikan tuil kawalan sepenuhnya, dan kemudian tarik pemicu suis.

OPERASI

Menyambungkan pek kuasa mudah alih

PERHATIAN: Apabila anda menggunakan mesin dengan gabungan bekalan kuasa jenis beg galas seperti pek kuasa mudah alih, gunakan tali gantung yang disertakan dalam pakej mesin atau tali gantung yang disyorkan oleh Makita.

Apabila anda memakai abah-abah bahu yang tidak disyorkan oleh Makita dan abah-abah bahu bekalan kuasa jenis beg galas pada masa yang sama, menanggalkan mesin atau bekalan kuasa jenis beg galas adalah sukar ketika kecemasan, dan ini mungkin menyebabkan kemalangan atau kecederaan. Untuk tali gantung yang disyorkan, tanya Pusat Servis Makita yang Diktiraf.

PERHATIAN: Sebelum pengendalian, pastikan kancing pada tali pinggang dikunci dan mesin dipasang dengan selamat pada cangkuk tali gantung.

PERHATIAN: Untuk mencegah permulaan yang tidak disengajakan, pastikan mesin dan pek kuasa mudah alih dimatikan sebelum memulakan prosedur ini.

PERHATIAN: Sebelum melakukan prosedur ini, selesaikan penyesuaian tali pinggang dan abah-abah bahu. Rujuk pada manual arahan pek kuasa mudah alih untuk maklumat lanjut.

Untuk PDC1200

PERHATIAN: Semasa mengeluarkan bateri, tekan butang kunci sambil memegang pemegang dengan kemas. Sebelum mengeluarkan bateri, tetapkan tali pinggang ke kedudukan terendah.

► **Rajah15:** 1. Pemegang 2. Butang kunci

PERHATIAN: Berhati-hati agar tidak tersepi jari atau ibu jari anda antara bateri dan plat tapak semasa memasang bateri.

PERHATIAN: Pastikan bateri dipasang dengan kukuh pada plat tapak. Jika tidak, bateri mungkin terjatuh semasa anda memakai unit atau menggunakan unit tersebut, dan menyebabkan kecederaan. Jika anda boleh melihat penunjuk merah seperti yang ditunjukkan dalam rajah, bateri tidak dikunci sepenuhnya.

► **Rajah16:** 1. Penunjuk merah

Untuk PDC01

NOTA: Sebelum melakukan prosedur ini, pasang kartrij bateri ke pek kuasa mudah alih. Rujuk pada manual arahan pek kuasa mudah alih untuk maklumat lanjut.

1. Tarik keluar kord sama ada dari sebelah kiri atau kanan bateri.

Untuk PDC1200

Keluarkan bateri dari plat tapak, dan kemudian tarik keluar kord sama ada dari sebelah kiri atau kanan bateri, dan kemudian pasang bateri ke plat tapak. Semasa menarik keluar kord, pastikan anda meletakkan kord dalam pemegang seperti yang ditunjukkan dalam rajah.

► **Rajah17:** 1. Kord 2. Pemegang

Untuk PDC01

Semasa menarik keluar kord, pastikan anda meletakkan kord dalam pemegang seperti yang ditunjukkan dalam rajah.

► **Rajah18:** 1. Kord 2. Pemegang

2. Pasang kord pada pemegang kord.

► **Rajah19:** 1. Pemegang kord

3. Pasang cangkuk tali gantung pada gelang abah-abah bahu dan tali pinggang.

► **Rajah20:** 1. Gelang 2. Cangkuk

4. Tekan butang kuasa pada pek kuasa mudah alih. Lampu kuasa utama akan menyala.

Untuk PDC1200

► **Rajah21:** 1. Butang kuasa 2. Lampu kuasa utama

Untuk PDC01

► **Rajah22:** 1. Butang kuasa 2. Lampu kuasa utama

5. Pakai abah-abah bahu pek kuasa mudah alih dan kunci kancing pada tali pinggang.

► **Rajah23**

6. Pasang abah-abah bahu ke mesin menggunakan cangkuk pada tali gantung. Pastikan cangkuk dipasang pada penggantungan mesin.

► **Rajah24:** 1. Cangkuk 2. Penggantungan

Sesuaikan panjang tali gantung jika perlu.

► **Rajah25**

7. Masukkan palam mesin ke dalam soket pek kuasa mudah alih.

Semasa memasukan, jajarkan tanda segi tiga pada palam dan soket.

► **Rajah26:** 1. Palam 2. Soket 3. Tanda segi tiga

8. Tekan suis kuasa utama untuk menghidupkan mesin.

Mesin sedia untuk dikendalikan. Mesin akan bergerak apabila anda menarik pemacu suis.

► **Rajah27:** 1. Suis kuasa utama

NOTA: Anda boleh juga menggunakan tali gantung seperti yang ditunjukkan dalam rajah.

► **Rajah28**

Sesuaikan panjang tali gantung jika perlu.

► **Rajah29**

Operasi penghembus

PERHATIAN: Jangan letakkan mesin di atas tanah semasa ia dihidupkan. Pasir atau habuk boleh masuk dari salur masuk sedutan dan menyebabkan pincang tugas atau kecederaan diri.

Pegang mesin dengan kemas dengan tangan dan lakukan operasi menghembus dengan menggerakkannya di sekitar dengan perlahan-lahan. Apabila menghembus di sekeliling bangunan, batu besar atau kenderaan, arahkan muncung jauh daripadanya. Apabila melakukan operasi di sudut, mulakan dari sudut dan kemudian bergerak ke kawasan luas.

► **Rajah30**

Semasa meletakkan mesin ke bawah, buka kancing pada tali gantung menggunakan satu tangan sambil memegang mesin dengan satu lagi tangan.

► **Rajah31:** 1. Kancing

► **Rajah32:** 1. Kancing

Apabila meletakkan mesin dan pek kuasa mudah alih ke bawah pada masa yang sama, buka kancing pada tali pinggang, dan kemudian letakkan mesin dan pek kuasa mudah alih ke bawah.

► **Rajah33:** 1. Kancing

NOTA: Semasa membuka kancing, tekan pencakar kancing di kedua-dua belah. Apabila mengunci kancing, masukkan pencakar sehingga terkunci.

► **Rajah34:** 1. Pencakar

Menggunakan set muncung talang

PERHATIAN: Apabila menggunakan set nozel talang, jangan gunakan mesin dalam mod Galakan. Anda mungkin hilang keseimbangan dan ianya mungkin mengakibatkan kemalangan kerana isi padu udara menjadi bertambah besar dalam mod Galakan.

PERHATIAN: Semasa menggunakan set nozel talang, jangan pegang penghembus dengan sebelah tangan tetapi dengan kedua-dua belah tangan.

► **Rajah35**

PERHATIAN: Jangan gunakan set nozel talang berhampiran wayar elektrik.

► **Rajah36**

PERHATIAN: Jangan gunakan set nozel talang pada hari yang berangin.

► **Rajah37**

PERHATIAN: Semasa menggunakan set nozel talang, pastikan orang lain atau haiwan berada jauh lebih dari 15 m (50 ft) dari penghembus.

► **Rajah38**

Pegang penghembus secara tegak dengan memegang pemegang penghembus. Letakkan salur keluar penghembus pada talang dan kemudian hidupkan penghembus.

► **Rajah39**

PENYELENGGARAAN

PERHATIAN: Sentiasa pastikan mesin dimatikan dan pek kuasa mudah alih diputuskan sambungan dari mesin sebelum cuba menjalankan pemeriksaan atau penyelenggaraan.

Untuk mengekalkan KESELAMATAN dan KEBOLEHPERCAYAAN produk, pembaikan, apa-apa penyelenggaraan atau penyesuaian lain perlu dilakukan oleh Kilang atau Pusat Servis Makita yang Diiktiraf, sentiasa gunakan alat ganti Makita.

Membersihkan mesin

Bersihkan mesin dengan menyapu habuk dengan kain kering atau kain yang dicelup dalam air sabun dan diperah.

► **Rajah40**

NOTIS: Jangan gunakan petrol, benzin, pencair, alkohol atau bahan yang serupa. Ia boleh menyebabkan perubahan warna, bentuk atau keretakan.

Keluarkan habuk atau kotoran dari salur masuk sedutan di belakang mesin.

► **Rajah41:** 1. Salur masuk sedutan

Lubang cangkuk di bahagian bawah mesin adalah untuk memudahkan menggantung mesin pada paku atau skru di dinding.

► **Rajah42:** 1. Lubang

Penyimpanan

Sebelum menyimpan mesin, putuskan sambungan pek kuasa mudah alih dari mesin, dan lakukan penyelenggaraan penuh. Simpan mesin di tempat yang jauh dari jangkauan kanak-kanak dan tidak terdedah kepada kelembapan, hujan atau sinaran matahari langsung.

PENYELESAIAN MASALAH

Sebelum meminta pembaikan, jalankan pemeriksaan sendiri terlebih dahulu. Jika anda mendapati masalah tidak diterangkan dalam manual, jangan cuba untuk menanggalkan mesin. Sebaliknya, tanya Pusat Servis Sah Makita, sentiasa gunakan alat ganti Makita untuk pembaikan.

Kedaaan keabnormalan	Sebab yang mungkin (pincang tugas)	Remedi
Motor tidak berjalan.	Bateri tidak dipasang.	Pasang bateri.
	Masalah bateri (voltan rendah)	Cas semula bateri. Jika mengecap tidak berkesan, gantikan bateri.
	Sistem pacuan tidak berfungsi dengan betul.	Tanya pusat servis sah tempatan anda untuk pembaikan.
Motor berhenti berfungsi selepas digunakan seketika.	Tahap bateri terlalu rendah.	Cas semula bateri. Jika mengecap tidak berkesan, gantikan bateri.
	Pemanasan melampau.	Berhenti menggunakan mesin untuk membenarkan ia sejuk.
Mesin tidak mencapai kelajuan maksimum.	Bateri tidak dipasang dengan betul.	Pasang bateri seperti yang diterangkan dalam manual ini.
	Kuasa bateri berkurangan.	Cas semula bateri. Jika mengecap tidak berkesan, gantikan bateri.
	Sistem pacuan tidak berfungsi dengan betul.	Tanya pusat servis sah tempatan anda untuk pembaikan.
Getaran tidak normal: ⇒ hentikan mesin serta-merta!	Sistem pacuan tidak berfungsi dengan betul.	Tanya pusat servis sah tempatan anda untuk pembaikan.
Motor tidak boleh berhenti: ⇒ Keluarkan bateri serta-merta!	Pincang tugas elektrik atau elektronik.	Keluarkan bateri dan tanya pusat servis sah setempat anda untuk pembaikan.

AKSESORI PILIHAN

⚠PERHATIAN: Aksesori atau lampiran ini adalah disyorkan untuk digunakan dengan produk Makita anda yang dinyatakan dalam manual ini. Penggunaan mana-mana aksesori-aksesori atau lampiran-lampiran lain mungkin mengakibatkan risiko kecederaan kepada individu. Hanya gunakan aksesori atau lampiran untuk tujuan yang dinyatakannya.

Jika anda memerlukan sebarang bantuan untuk maklumat lebih lanjut mengenai aksesori ini, tanya Pusat Perkhidmatan Makita tempatan anda.

- Paip penyesuai
- Muncung pemanjangan
- Muncung leper
- Set Nozel Talang

- Pemasangan tali
- Bateri dan pengecas asli Makita

NOTA: Beberapa item dalam senarai mungkin disertakan dalam pakej produk sebagai aksesori standard. Item mungkin berbeza mengikut negara.

THÔNG SỐ KỸ THUẬT

Kiểu máy:		UB001C
Công suất	Lượng không khí	0 - 17,6 m ³ /min
	Tốc độ gió (trung bình)	0 - 58,0 m/s
	Tốc độ gió (tối đa)	0 - 70,0 m/s
Chiều dài tổng thể (tính cả đầu vòi phun)		960 mm / 1.010 mm / 1.060 mm
Điện áp định mức		D.C. 36 V - tối đa 40 V
Khối lượng tịnh		2,6 - 2,9 kg
Cấp bảo vệ		IPX4

- Do chương trình nghiên cứu và phát triển liên tục của chúng tôi nên các thông số kỹ thuật trong đây có thể thay đổi mà không cần thông báo trước.
- Các thông số kỹ thuật có thể thay đổi tùy theo từng quốc gia.
- Khối lượng tùy theo Quy trình EPTA tháng 01/2014







Bộ cấp nguồn di động đeo vai có thể sử dụng

PDC1200 / PDC01

⚠ CẢNH BÁO: Chỉ sử dụng bộ cấp nguồn di động đeo vai được liệt kê phía trên. Việc sử dụng bất cứ bộ cấp nguồn di động đeo vai nào khác có thể gây ra thương tích và/hoặc hỏa hoạn.

Ký hiệu

Phần dưới đây cho biết các ký hiệu có thể được dùng cho thiết bị. Đảm bảo rằng bạn hiểu rõ ý nghĩa của các ký hiệu này trước khi sử dụng.

	Hãy cẩn thận và đặc biệt chú ý.
	Đọc tài liệu hướng dẫn.
	Giữ tay tránh xa các bộ phận quay.
	Tóc dài có thể gây ra sự cố quấn rối.
	Không để những người không phận sự lại gần.
	Mang thiết bị bảo vệ mắt và tai.
	Không được tiếp xúc với hơi ấm.



Ni-MH
Li-Ion

Chỉ dành cho các quốc gia EU
Không thải bỏ thiết bị điện hoặc bộ pin cùng với các chất thải sinh hoạt!
Đề tuân thủ các Chỉ thị của Châu Âu về thiết bị điện và điện tử thải bỏ, và về pin và ắc quy và pin và ắc quy thải bỏ, và thi hành những chỉ thị này phù hợp với luật lệ quốc gia, các thiết bị điện tử và pin và (các) bộ pin không còn sử dụng được nữa phải được thu nhặt riêng và đưa trở lại một cơ sở tái chế tương thích với môi trường.

Mục đích sử dụng

Máy này được dùng để thổi bụi.

CẢNH BÁO AN TOÀN

Hướng Dẫn An Toàn Cho Máy Thổi Cầm Tay Hoạt Động Bằng Pin

⚠ CẢNH BÁO: Đọc tất cả các cảnh báo an toàn và tất cả hướng dẫn. Việc không tuân theo các cảnh báo và hướng dẫn có thể dẫn đến điện giật, hỏa hoạn và/hoặc thương tích nghiêm trọng.

Lưu giữ tất cả cảnh báo và hướng dẫn để tham khảo sau này.

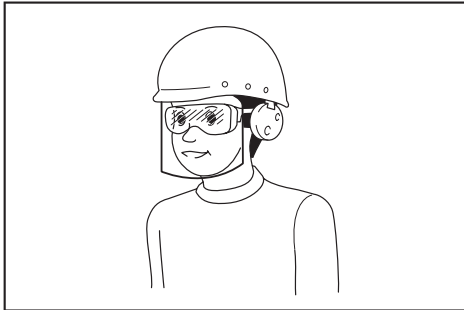
Hướng dẫn

1. **Đọc hướng dẫn cẩn thận.** Làm quen với việc điều khiển và cách sử dụng máy thổi chính xác.
2. **Không bao giờ cho phép trẻ em, người suy giảm thể chất, giác quan hoặc khả năng trí tuệ hoặc thiếu kinh nghiệm và kiến thức hoặc những người không quen thuộc với các hướng dẫn này sử dụng máy thổi.** Các quy định của địa phương có thể hạn chế độ tuổi của người vận hành.

3. Không bao giờ được vận hành máy thổi khi có người, đặc biệt là trẻ em hoặc thú cưng ở gần.
4. Hãy nhớ rằng người vận hành hoặc người sử dụng phải chịu trách nhiệm về tai nạn hoặc nguy hiểm xảy ra cho người khác hoặc tài sản của họ.

Chuẩn bị

1. Luôn mang giày chắc chắn và quần dài trong khi vận hành máy thổi.
2. Không được mặc quần áo rộng hoặc đeo trang sức lỏng lẻo chúng có thể bị hút vào đầu hút khí vào. Giữ tóc dài tránh xa đầu hút khí vào.
3. Luôn luôn mang kính bảo hộ để bảo vệ mắt khỏi bị thương khi đang sử dụng các dụng cụ máy. Kính bảo hộ phải tuân thủ ANSI Z87.1 ở Mỹ, EN 166 ở Châu Âu, hoặc AS/NZS 1336 ở Úc/New Zealand. Tại Úc/New Zealand, theo luật pháp, bạn cũng phải mang mặt nạ che mặt để bảo vệ mặt.



Trách nhiệm của chủ lao động là bắt buộc người vận hành dụng cụ và những người khác trong khu vực làm việc cạnh đó phải sử dụng các thiết bị bảo hộ an toàn thích hợp.

4. Khuyến khích đeo mặt nạ để tránh tình trạng kích ứng do bụi.
5. Khi vận hành máy luôn mang giày bảo hộ chống trượt. Mang giày và ủng bảo hộ mũi bít và chống trượt sẽ làm giảm nguy cơ chấn thương.
6. Sử dụng thiết bị bảo hộ cá nhân. Luôn đeo thiết bị bảo vệ mắt. Các thiết bị bảo hộ như mặt nạ chống bụi, giày an toàn chống trượt, mũ bảo hộ hay thiết bị bảo vệ thính giác được sử dụng trong các điều kiện thích hợp sẽ giúp giảm thương tích cá nhân.
7. Kiểm tra dây điện trước khi vận hành máy. Nếu dây điện bị hỏng, hãy nhờ Trung tâm dịch vụ được ủy quyền của Makita sửa chữa.

Vận hành

1. Tắt máy thổi, tháo pin và đảm bảo tất cả bộ phận chuyển động đã chuyển sang trạng thái dừng hoàn toàn
 - bắt cứ khi nào bạn rời khỏi máy thổi.
 - trước khi làm thông chỗ tắc nghẽn.
 - trước khi kiểm tra, làm sạch hoặc làm việc trên máy thổi.
 - nếu máy thổi bắt đầu rung bất thường.
2. Chỉ vận hành máy thổi vào ban ngày hoặc trong điều kiện ánh sáng nhân tạo tốt.

3. Không với quá cao và luôn giữ thăng bằng tốt và có chỗ để chân phù hợp.
4. Luôn đảm bảo chỗ để chân trên mặt nghiêng.
5. Chỉ đi bộ, không được chạy.
6. Giữ cho tất cả ngõ hút khí làm mát vào không bị vướng mảnh vụn.
7. Không bao giờ thổi mảnh vụn về hướng của những người xung quanh.
8. Vận hành máy thổi ở vị trí được đề xuất và trên bề mặt vững chắc.
9. Không vận hành máy thổi ở nơi cao.
10. Không bao giờ được hướng vòi phun vào bất kỳ ai ở gần khi đang sử dụng máy thổi.
11. Không bao giờ được chặn ngõ vào đầu hút và/hoặc đầu ra máy thổi.
 - Hãy cẩn thận không để bụi hoặc bụi bẩn chặn ngõ vào đầu hút hoặc đầu ra máy thổi khi vận hành ở khu vực bụi bặm.
 - Không sử dụng vòi phun nào khác ngoài vòi phun được Makita cung cấp.
 - Không được dùng máy thổi để thổi phồng bóng, thuyền cao su hoặc những vật dụng tương tự.
12. Không được vận hành máy thổi gần cửa sổ đang mở, v.v...
13. Chỉ nên vận hành máy thổi trong những khung giờ hợp lý - không nên sử dụng vào những lúc sáng sớm hoặc quá khuya vì có thể làm phiền người khác.
14. Nên dùng dụng cụ cào và chổi để làm rời các mảnh vụn ra trước khi thổi.
15. Nếu máy thổi bị va đập với bất kỳ ngoại vật nào hoặc bắt đầu có những âm thanh hay rung chấn bất thường, phải ngay lập tức tắt máy thổi để dừng hoạt động. Tháo pin ra khỏi máy thổi và kiểm tra xem máy thổi có bị hư hỏng hay không trước khi khởi động lại và vận hành máy thổi. Nếu máy thổi có hư hỏng, hãy nhờ Trung tâm dịch vụ được ủy quyền của Makita sửa chữa.
16. Không cho ngón tay hoặc các vật khác vào ngõ vào đầu hút hoặc đầu ra máy thổi.
17. Tránh vô tình khởi động dụng cụ. Đảm bảo công tắc ở vị trí off (tắt) trước khi gắn pin vào, cầm hoặc mang máy thổi. Việc di chuyển máy thổi khi đang đặt ngón tay ở công tắc hoặc cấp điện cho máy thổi đang bật dễ gây ra tai nạn.
18. Không bao giờ thổi vật liệu nguy hiểm, như đinh, mảnh vỡ thủy tinh, hoặc lưỡi dao.
19. Không vận hành máy thổi gần các vật liệu dễ cháy.
20. Tránh vận hành máy thổi trong thời gian dài ở môi trường có nhiệt độ thấp.
21. Không sử dụng máy khi có nguy cơ sấm sét.
22. Khi bạn sử dụng máy trên mặt đất bùn lầy, sườn dốc ẩm ướt, hoặc nơi trơn trượt, hãy chú ý đến chỗ để chân của bạn.
23. Tránh làm việc trong môi trường có điều kiện không tốt, nơi người dùng dễ cảm thấy mệt mỏi hơn.

24. **Không sử dụng máy khi thời tiết xấu hạn chế khả năng hiển thị.** Nếu không làm như vậy có thể gây ra té ngã hoặc vận hành không chính xác do tầm nhìn thấp.
25. **Không nhúng máy vào vũng nước.**
26. **Khi lá ướt hoặc bụi bẩn dính vào đầu hút (lỗ thông gió) do mưa, hãy loại bỏ những vật đó.**

Bảo dưỡng và cất giữ

1. **Giữ cho tất cả các đai ốc, bu-lông và ốc vít đều vận chặt để đảm bảo máy thổi hoạt động trong điều kiện làm việc an toàn.**
2. **Nếu các bộ phận bị mòn hoặc hư hỏng, hãy thay thế chúng bằng các bộ phận Makita chính hãng.**
3. **Cất giữ máy thổi ở nơi khô ráo tránh xa tầm tay trẻ em.**
4. **Khi bạn dừng máy thổi để kiểm tra, bảo trì, cất giữ hoặc thay đổi phụ kiện, hãy tắt máy thổi và đảm bảo tất cả bộ phận chuyển động đã dừng hoàn toàn, rời tháo pin. Làm mát máy thổi trước khi thực hiện bất kỳ công việc nào trên máy thổi. Bảo dưỡng máy thổi cẩn thận và giữ máy sạch sẽ.**
5. **Luôn làm nguội máy thổi trước khi cất giữ.**
6. **Không để máy thổi tiếp xúc với mưa. Cất giữ máy thổi trong nhà.**
7. **Khi bạn nhắc máy thổi lên, hãy đảm bảo khayụ đầu gối xuống và luôn cẩn thận để không làm lưng của bạn bị tổn thương.**
8. **Không để máy ngoài trời mà không có người giám sát dưới trời mưa.**
9. **Không rửa máy bằng nước với áp suất cao.**
10. **Khi cất giữ máy, tránh ánh nắng trực tiếp và mưa, cất giữ ở nơi không nóng hoặc ẩm ướt.**
11. **Thực hiện kiểm tra hoặc bảo dưỡng ở nơi có thể tránh mưa.**
12. **Sau khi sử dụng máy, hãy loại bỏ bụi bẩn dính vào và làm khô máy hoàn toàn trước khi cất giữ. Tùy thuộc vào mùa hoặc khu vực, máy có nguy cơ trượt do đóng băng.**
13. **Không nhắc hoặc cầm máy này bằng cách chỉ giữ dây điện.**

Sử dụng và bảo quản dụng cụ dùng pin

1. **Chỉ sạc pin lại với bộ sạc do nhà sản xuất quy định.** Bộ sạc phù hợp với một loại bộ pin này có thể gây ra nguy cơ hỏa hoạn khi được dùng cho một bộ pin khác.
2. **Chỉ sử dụng các dụng cụ máy với các bộ pin được quy định cụ thể.** Việc sử dụng bất cứ bộ pin nào khác có thể gây ra thương tích và hỏa hoạn.
3. **Khi không sử dụng bộ pin, hãy giữ tránh xa các đồ vật khác bằng kim loại, chẳng hạn như kẹp giấy, tiền xu, chìa khóa, đinh, ốc vít hoặc các vật nhỏ bằng kim loại mà có thể làm nối tất các đầu cực pin.** Các đầu cực pin bị đoản mạch có thể gây cháy hoặc hỏa hoạn.
4. **Trong điều kiện sử dụng quá mức, pin có thể bị chảy nước; hãy tránh tiếp xúc. Nếu vô tình tiếp xúc với pin bị chảy nước, hãy rửa sạch bằng nước. Nếu dùng dịch từ pin tiếp xúc với mắt, cần đi khám bác sĩ thêm. Dung dịch chảy ra từ pin có thể gây rát da hoặc bỏng.**

5. **Không sử dụng bộ pin hoặc dụng cụ bị hư hỏng hoặc đã bị sửa đổi.** Pin đã bị hư hỏng hoặc đã bị sửa đổi có thể hành động theo cách không thể đoán trước dẫn đến cháy, nổ hoặc nguy cơ chấn thương.
6. **Không để bộ pin hoặc dụng cụ tiếp xúc với lửa hoặc nhiệt độ quá cao.** Tiếp xúc với lửa hoặc nhiệt độ trên 130 °C có thể gây ra cháy nổ.
7. **Làm theo tất cả các hướng dẫn sạc pin và không dùng sạc bộ pin hoặc dụng cụ vượt giới hạn nhiệt độ quy định trong hướng dẫn.** Sạc pin không đúng hoặc ở nhiệt độ vượt giới hạn nhiệt độ có thể gây hư hỏng cho pin và làm tăng nguy cơ cháy.

An toàn về điện và pin

1. **Không thả bỏ (các) viên pin vào lửa.** Viên pin có thể phát nổ. Kiểm tra bằng mã địa phương để biết hướng dẫn thả bỏ đặc biệt nếu có.
2. **Không mở hay cắt xén (các) viên pin.** Chất điện phân thải ra có tính ăn mòn và có thể gây tổn thương cho mắt hoặc da. Có thể độc hại nếu nuốt phải.
3. **Không sạc pin trong mưa, hoặc nơi ẩm ướt.**
4. **Không sạc pin ở ngoài trời.**
5. **Không thao tác bộ sạc, bao gồm phích cắm của bộ sạc, và điện cực của bộ sạc bằng tay ướt.**
6. **Không thay pin dưới trời mưa.**
7. **Không làm ướt điện cực của pin bằng chất lỏng ví dụ như nước, hoặc nhấn chìm pin.** Không để pin dưới trời mưa, không sạc, sử dụng, hoặc cất giữ pin ở nơi ẩm hoặc ướt. Nếu điện cực bị ướt hoặc có chất lỏng lọt vào bên trong pin, pin có thể bị đoản mạch và có nguy cơ quá nhiệt, cháy hoặc nổ.
8. **Sau khi tháo pin ra khỏi máy hoặc bộ sạc, hãy đảm bảo đã gắn nắp đậy pin vào pin và cất giữ ở nơi khô ráo.**
9. **Không thay pin bằng tay ướt.**
10. **Nếu pin bị ướt, xả nước ở bên trong sau đó lau bằng vải khô. Luôn giữ pin hoàn toàn ở nơi khô ráo trước khi sử dụng.**

Bảo dưỡng

1. **Để nhân viên sửa chữa đủ trình độ bảo dưỡng dụng cụ máy của bạn và chỉ sử dụng các bộ phận thay thế đồng nhất.** Việc này sẽ đảm bảo duy trì được độ an toàn của dụng cụ máy.
2. **Không bao giờ sử dụng bộ pin đã hỏng.** Dịch vụ bảo hành bộ pin chỉ nên thực hiện bởi nhà sản xuất hoặc các nhà cung cấp dịch vụ được ủy quyền.

LƯU GIỮ CÁC HƯỚNG DẪN NÀY.

⚠ CẢNH BÁO: KHÔNG vì đã thoải mái hay quen thuộc với sản phẩm (có được do sử dụng nhiều lần) mà không tuân thủ nghiêm ngặt các quy định về an toàn dành cho sản phẩm này.

VIỆC DÙNG SAI hoặc không tuân theo các quy định về an toàn được nêu trong tài liệu hướng dẫn này có thể dẫn đến thương tích cá nhân nghiêm trọng.

Hướng dẫn quan trọng về an toàn dành cho hộp pin

1. Trước khi sử dụng hộp pin, hãy đọc kỹ tất cả các hướng dẫn và dấu hiệu cảnh báo trên (1) bộ sạc pin, (2) pin và (3) sản phẩm sử dụng pin.
2. Không tháo rời hoặc làm thay đổi hộp pin. Việc này có thể dẫn đến hỏa hoạn, quá nhiệt hoặc nổ.
3. Nếu thời gian vận hành ngắn hơn quá mức, hãy ngừng vận hành ngay lập tức. Điều này có thể dẫn đến rủi ro quá nhiệt, có thể gây bỏng và thậm chí là nổ.
4. Nếu chất điện phân rơi vào mắt, hãy rửa sạch bằng nước sạch và đến cơ sở y tế ngay lập tức. Chất này có thể khiến bạn giảm thị lực.
5. Không để hộp pin ở tình trạng đoản mạch:
 - (1) Không chạm vào cực pin bằng vật liệu dẫn điện.
 - (2) Tránh cất giữ hộp pin trong hộp có các vật kim loại khác như đinh, tiền xu, v.v...
 - (3) Không được để hộp pin tiếp xúc với nước hoặc mưa.

Đoản mạch pin có thể gây ra dòng điện lớn, quá nhiệt, có thể gây bỏng và thậm chí là hỏng hóc.

6. Không cất giữ cũng như sử dụng dụng cụ và hộp pin ở nơi nhiệt độ có thể lên tới hoặc vượt quá 50 °C (122 °F).
7. Không đốt hộp pin ngay cả khi hộp pin đã bị hư hại nặng hoặc hư hỏng hoàn toàn. Hộp pin có thể nổ khi tiếp xúc với lửa.
8. Không đóng đinh, cắt, nghiền nát, ném, làm rơi hộp pin hoặc va vật cứng vào hộp pin. Làm như thế có thể dẫn đến hỏa hoạn, quá nhiệt hoặc nổ.
9. Không sử dụng pin đã hỏng.
10. Pin nén lithium-ion là đối tượng có yêu cầu bắt buộc theo Luật Hàng hoá Nguy hiểm. Đối với vận tải thương mại, ví dụ như vận tải do bên thứ ba, đại lý giao nhận, thì yêu cầu đặc biệt về đóng gói và nhãn ghi phải được giám sát. Để chuẩn bị cho mặt hàng cần vận chuyển, cần phải tham khảo ý kiến chuyên gia về vật liệu nguy hiểm. Nếu được, vui lòng tuân thủ các quy định quốc gia chi tiết hơn. Buộc hoặc niêm phong các tiếp điểm mở và đóng gói pin theo cách đó để nó không thể di chuyển trong bao bì.
11. Khi vứt bỏ hộp pin, hãy tháo chúng khỏi dụng cụ và thải bỏ ở nơi an toàn. Phải tuân thủ theo các quy định của địa phương liên quan đến việc thải bỏ pin.
12. Chỉ sử dụng pin cho các sản phẩm Makita chỉ định. Lắp pin vào sản phẩm không thích hợp có thể gây ra hỏa hoạn, quá nhiệt, nổ, hoặc rò chất điện phân.
13. Nếu dụng cụ không được sử dụng trong một thời gian dài, cần phải tháo pin ra khỏi dụng cụ.
14. Trong và sau khi sử dụng, hộp pin có thể bị nóng, có thể gây bỏng hoặc bỏng ở nhiệt độ thấp. Chú ý xử lý hộp pin nóng.

15. Không chạm vào điện cực của dụng cụ ngay sau khi sử dụng vì điện cực đủ nóng để gây bỏng.
16. Không để vận bào, bụi hoặc đất bám vào các điện cực, lỗ và rãnh của hộp pin. Việc này có thể dẫn đến hiệu suất kém hoặc hỏng hóc dụng cụ hay hộp pin.
17. Trừ khi dụng cụ hỗ trợ sử dụng gần đường dây điện cao thế, không sử dụng hộp pin gần đường dây điện cao thế. Việc này có thể dẫn đến trực tiếp hoặc gián tiếp hỏng dụng cụ hay hộp pin.
18. Giữ pin tránh xa trẻ em.

LƯU GIỮ CÁC HƯỚNG DẪN NÀY.

⚠ THẬN TRỌNG: Chỉ sử dụng pin Makita chính hãng. Việc sử dụng pin không chính hãng Makita, hoặc pin đã được sửa đổi, có thể dẫn đến nổ pin gây ra cháy, thương tích và thiệt hại cá nhân. Nó cũng sẽ làm mất hiệu lực bảo hành của Makita dành cho dụng cụ của Makita và bộ sạc.

Mẹo duy trì tuổi thọ tối đa cho pin

1. Sạc hộp pin trước khi pin bị xả điện hoàn toàn. Luôn dừng việc vận hành dụng cụ và sạc pin khi bạn nhận thấy công suất dụng cụ bị giảm.
2. Không được phép sạc lại một hộp pin đã được sạc đầy. Sạc quá mức sẽ làm giảm tuổi thọ của pin.
3. Sạc pin ở nhiệt độ phòng 10°C - 40°C. Để cho hộp pin nóng nguội lại dần trước khi sạc pin.
4. Khi không sử dụng dụng cụ pin, hãy tháo hộp pin ra khỏi dụng cụ hoặc bộ sạc.
5. Sạc pin sáu tháng một lần nếu bạn không sử dụng dụng cụ trong một thời gian dài (hơn sáu tháng).

LẮP RÁP

⚠ THẬN TRỌNG: Luôn đảm bảo đã tắt máy và ngắt kết nối bộ cấp nguồn di động đeo vai khỏi máy trước khi thực hiện bất kỳ công việc nào trên máy.

Lắp đặt đầu vòi phun

Căn chỉnh dấu hình tam giác trên đầu vòi phun với dấu hình tam giác trên ống trước, sau đó gắn đầu vòi phun vào ống trước và xoay đầu vòi phun để khóa đầu vòi vào vị trí.

Lắp đặt đầu vòi phun sao cho đầu vòi hướng xuống dưới. Tùy thuộc vào môi trường làm việc, bạn có thể lắp đầu vòi phun sao cho đầu vòi hướng lên trên.

► **Hình 1:** 1. Dấu hình tam giác 2. Đầu vòi phun 3. Ống trước

Để tháo đầu vòi phun, hãy làm ngược lại quy trình lắp vào.

LƯU Ý: Có thể thay đổi chiều dài của vòi bằng cách di chuyển rời như minh họa trong hình.

► **Hình2:** 1. Đầu vòi phun 2. Ống trước

Lắp đặt vòi phun dẹt hoặc vòi phun nổi dài

Phụ kiện tùy chọn

1. Căn chỉnh rãnh trên ống chuyển đổi với phần nhô ra trên ống trước, sau đó gắn ống chuyển đổi vào ống trước rồi xoay ống để khớp vào vị trí.

► **Hình3:** 1. Ống chuyển đổi 2. Ống trước

2. Căn chỉnh rãnh trên vòi phun dẹt hoặc vòi phun nổi dài với phần nhô ra trên ống chuyển đổi, sau đó gắn vòi phun dẹt hoặc vòi phun nổi dài vào ống chuyển đổi và xoay ống để khớp vào vị trí.

► **Hình4:** 1. Vòi phun dẹt 2. Vòi phun nổi dài 3. Ống chuyển đổi

Lắp đặt bộ vòi phun máng nước

Phụ kiện tùy chọn

1. Căn chỉnh rãnh trên ống chuyển đổi với phần nhô ra trên ống trước, sau đó gắn ống chuyển đổi vào ống trước rồi xoay ống để khớp vào vị trí.

Lắp ống chuyển đổi càng xa càng tốt để phần nhô ra vừa với rãnh sâu nhất trên ống chuyển đổi.

► **Hình5:** 1. Vít 2. Kẹp ống 3. Ống chuyển đổi 4. Ống trước

2. Nới lỏng vít trên kẹp ống và luồn kẹp ống lớn qua ống chuyển đổi, sau đó luồn kẹp ống nhỏ vào.

3. Nối ống nổi dài vào ống chuyển đổi.

Căn chỉnh rãnh trên ống nổi dài thẳng hàng với phần nhô ra trên ống chuyển đổi, sau đó trượt ống nổi dài dọc theo rãnh của ống sao cho các dấu hình tam giác đối diện nhau.

► **Hình6:** 1. Ống nổi dài 2. Ống chuyển đổi

4. Đặt kẹp ống vào các rãnh như minh họa và vặn chặt vít.

► **Hình7:** 1. Vít 2. Kẹp ống

5. Nối phần ống nổi dài còn lại vào ống nổi dài đã được gắn theo chiều cao làm việc.

⚠ THẬN TRỌNG: Không gắn ống nổi dài nếu tổng chiều dài bao gồm cả thân máy thổi vượt quá 4 m (14 ft).

6. Vặn đầu ra của đầu vòi phun như thể hiện trên hình vẽ.

► **Hình8**

7. Nối vòi phun cuối vào ống nổi dài. Khi đang nối, căn chỉnh dấu hình tam giác trên vòi phun cuối và ống nổi dài thẳng hàng với nhau, sau đó nhấn đầu vòi phun cho đến khi kêu cách. Sau đó, xoay đầu vòi phun để phù hợp với tư thế làm việc của bạn.

► **Hình9:** 1. Đầu vòi phun 2. Ống nổi dài 3. Dấu hình tam giác

Khi tháo đầu vòi phun, căn chỉnh dấu hình tam giác trên vòi phun cuối và ống nổi dài thẳng hàng với nhau, sau đó kéo đầu vòi phun ra khỏi ống nổi dài.

► **Hình10:** 1. Đầu vòi phun 2. Ống nổi dài 3. Dấu hình tam giác

MÔ TẢ CHỨC NĂNG

⚠ THẬN TRỌNG: Luôn đảm bảo đã tắt máy và ngắt kết nối bộ cấp nguồn di động đeo vai khỏi máy trước khi điều chỉnh hoặc kiểm tra chức năng trên máy.

Hệ thống bảo vệ xe / pin

Xe này được trang bị hệ thống bảo vệ xe/pin. Hệ thống này sẽ tự động ngắt nguồn điện đến động cơ để kéo dài tuổi thọ xe và pin. Máy sẽ tự động dừng vận hành khi máy hoặc pin ở một trong những trường hợp sau đây:

Bảo vệ quá tải

Khi vận hành máy hoặc pin trong điều kiện làm máy tiêu tốn dòng cao bất thường, máy sẽ tự động dừng lại và đèn nguồn chính của máy sẽ nhấp nháy màu xanh lá. Trong trường hợp này, hãy tắt máy và ngừng việc sử dụng để làm cho máy trở nên quá tải. Sau đó bật máy lên để khởi động lại.

Bảo vệ quá nhiệt

Khi máy hoặc pin bị quá nhiệt, máy sẽ tự động dừng. Khi máy bị quá nhiệt, đèn nguồn chính của máy sẽ sáng lên màu đỏ. Khi pin bị quá nhiệt, đèn nguồn chính của máy sẽ nhấp nháy màu đỏ. Hãy để máy và pin nguội bớt trước khi bật máy lại.

Bảo vệ xả điện quá mức

Khi dung lượng pin không đủ, máy sẽ tự động dừng và đèn nguồn chính của máy sẽ nhấp nháy màu đỏ. Trong trường hợp này, hãy tháo pin khỏi máy và sạc pin hoặc đổi pin thành pin khác đã sạc đầy.

Công tắc nguồn chính

⚠ CẢNH BÁO: Luôn luôn tắt công tắc nguồn chính khi không sử dụng.

Để bật máy, nhấn công tắc nguồn chính. Đèn nguồn chính sáng lên màu xanh lá. Để tắt nguồn, nhấn công tắc nguồn chính lần nữa.

► **Hình11:** 1. Đèn nguồn chính 2. Công tắc nguồn chính

LƯU Ý: Máy này sử dụng chức năng tắt nguồn tự động. Để tránh việc khởi động ngoài ý muốn, công tắc nguồn chính sẽ tự động tắt khi cần khởi động công tắc không được kéo trong một khoảng thời gian nhất định sau khi công tắc nguồn chính được bật lên.

LƯU Ý: Nếu bạn nhấn công tắc nguồn chính khi cần điều khiển không hoàn toàn trở về vị trí tắt hoặc trong khi bạn đang kéo cần khởi động công tắc, đèn nguồn chính sẽ nhấp nháy màu xanh lá. Trong trường hợp này, trả cần điều khiển về vị trí ban đầu hoàn toàn hoặc nhả cần khởi động công tắc, sau đó nhấn công tắc nguồn chính.

Hoạt động công tắc

⚠ CẢNH BÁO: Trước khi kết nối bộ cấp nguồn di động đeo vai vào máy, luôn kiểm tra để đảm bảo cần khởi động công tắc hoạt động bình thường và trả về vị trí “TẮT” khi nhả ra.

Để khởi động máy, chỉ cần kéo cần khởi động công tắc. Tốc độ sẽ tăng lên bằng cách tăng lực ép lên cần khởi động công tắc. Nhả cần khởi động công tắc ra để dừng.

► **Hình12:** 1. Cần khởi động công tắc

Bạn có thể sử dụng máy ở chế độ Tăng (Boost). Ở chế độ Tăng (Boost), lượng không khí sẽ nhiều hơn ở chế độ bình thường. Để sử dụng máy ở chế độ Tăng (Boost), kéo cần khởi động công tắc cho đến khi cần khởi động công tắc dừng ở vị trí giữa, sau đó kéo cần khởi động công tắc hết mức.

► **Hình13:** 1. Cần khởi động công tắc

LƯU Ý: Tùy thuộc vào điều kiện sử dụng, hạn chế sử dụng chế độ Tăng (Boost) để bảo vệ máy. Nếu đèn nguồn chính của máy nhấp nháy màu xanh lá khi bạn kéo cần khởi động công tắc hết mức hoặc trong khi bạn đang sử dụng máy ở chế độ Tăng (Boost), chế độ Tăng (Boost) sẽ không khả dụng.

LƯU Ý: Chế độ Tăng (Boost) không khả dụng bằng cách xoay cần điều khiển.

Chức năng kiểm soát hành trình

Chức năng kiểm soát hành trình cho phép người vận hành duy trì tốc độ ổn định mà không cần kéo cần khởi động. Để tăng tốc độ, xoay cần điều khiển về phía trước. Để giảm tốc độ, xoay cần điều khiển về phía sau.

► **Hình14:** 1. Cần điều khiển

Chức năng phòng ngừa vô tình khởi động lại

Ngay cả khi bạn kết nối bộ cấp nguồn di động đeo vai vào máy trong khi kéo cần khởi động công tắc, máy cũng sẽ không khởi động. Để khởi động máy, đầu tiên nhả cần khởi động công tắc ra và trả cần điều khiển về vị trí ban đầu, sau đó kéo cần khởi động công tắc.

VẬN HÀNH

Kết nối bộ cấp nguồn di động đeo vai

⚠ THẬN TRỌNG: Khi bạn sử dụng máy kết hợp với nguồn điện kiểu đeo trên vai như bộ cấp nguồn di động đeo vai, hãy sử dụng băng treo có trong thùng đóng gói của máy hoặc băng treo được Makita khuyến dùng.

Nếu bạn đeo dây nịt vai không được Makita khuyến dùng và dây nịt vai của nguồn điện kiểu đeo trên vai cùng một lúc, việc tháo máy hoặc nguồn điện kiểu đeo trên vai sẽ rất khó khăn trong trường hợp khẩn cấp và có thể gây ra tai nạn hoặc thương tích. Đối với băng treo được khuyến dùng, hãy hỏi Trung tâm dịch vụ được ủy quyền của Makita.

⚠ THẬN TRỌNG: Trước khi vận hành, đảm bảo đã khóa các khóa nịt trên đai thắt lưng và gắn chặt máy vào móc treo của băng treo.

⚠ THẬN TRỌNG: Để tránh vô tình khởi động, đảm bảo đã tắt máy và bộ cấp nguồn di động đeo vai trước khi bắt đầu quy trình này.

⚠ THẬN TRỌNG: Trước khi thực hiện quy trình này, hãy hoàn tất việc điều chỉnh cho đai thắt lưng và dây nịt vai. Tham khảo tài liệu hướng dẫn về bộ cấp nguồn di động đeo vai để biết chi tiết.

Đối với PDC1200

⚠ THẬN TRỌNG: Khi tháo pin, nhấn nút khóa trong khi giữ chắc tay nắm. Trước khi tháo pin, đặt đai thắt lưng ở vị trí thấp nhất.

► **Hình15:** 1. Tay nắm 2. Nút khóa

⚠ THẬN TRỌNG: Cẩn thận không để kẹt ngón tay hoặc ngón cái vào giữa pin và tấm đế khi gắn pin.

⚠ THẬN TRỌNG: Đảm bảo pin được cố định chắc chắn vào tấm đế. Nếu không, pin có thể rơi khi bạn đeo thiết bị hoặc sử dụng thiết bị và gây thương tích. Nếu bạn có thể nhìn thấy chỉ báo màu đỏ như thể hiện trong hình, điều đó có nghĩa là pin vẫn chưa được khóa hoàn toàn.

► **Hình16:** 1. Chỉ báo màu đỏ

Đối với PDC01

LƯU Ý: Trước khi thực hiện quy trình này, hãy lắp (các) hộp pin vào bộ cấp nguồn di động đeo vai. Tham khảo tài liệu hướng dẫn về bộ cấp nguồn di động đeo vai để biết chi tiết.

1. Kéo dây điện ra từ bên trái hoặc bên phải của pin.

Đối với PDC1200

Tháo pin ra khỏi tấm đế, sau đó kéo dây điện ra từ bên trái hoặc bên phải của pin, rồi gắn pin vào tấm đế. Khi kéo dây điện ra, đảm bảo đặt dây điện vào giá đỡ như thể hiện trong hình.

► **Hình17:** 1. Dây điện 2. Giá đỡ

Đối với PDC01

Khi kéo dây điện ra, đảm bảo đặt dây điện vào giá đỡ như thể hiện trong hình.

► **Hình18:** 1. Dây điện 2. Giá đỡ

2. Gắn dây điện của pin vào giá đỡ dây điện.

► **Hình19:** 1. Giá đỡ dây điện

3. Gắn móc của băng treo vào các vòng của dây nịt vai và đai thắt lưng.

► **Hình20:** 1. Vòng 2. Móc

4. Nhấn nút nguồn trên bộ cấp nguồn di động đeo vai. Đèn nguồn chính sẽ sáng lên.

Đối với PDC1200

► **Hình21:** 1. Nút nguồn 2. Đèn nguồn chính

Đối với PDC01

► **Hình22:** 1. Nút nguồn 2. Đèn nguồn chính

5. Đeo dây nịt vai của bộ cấp nguồn di động đeo vai và khóa khóa nịt trên đai thắt lưng.

► **Hình23**

6. Gắn dây nịt vai vào máy bằng cách sử dụng móc trên băng treo. Đảm bảo đã móc vào móc gắn của máy.

► **Hình24:** 1. Móc treo 2. Móc gắn

Điều chỉnh độ dài của băng treo khi cần thiết.

► **Hình25**

7. Cắm phích cắm của máy vào ổ cắm của bộ cấp nguồn di động đeo vai.

Khi cắm, căn chỉnh dấu hình tam giác trên cả phích cắm và ổ cắm.

► **Hình26:** 1. Chốt 2. Mũi đầu tuýp 3. Dấu hình tam giác

8. Nhấn công tắc nguồn chính để bật máy.

Máy sẵn sàng vận hành. Máy sẽ chạy khi bạn kéo cần khởi động công tắc.

► **Hình27:** 1. Công tắc nguồn chính

LƯU Ý: Bạn cũng sẽ sử dụng băng treo như thể hiện trong hình.

► **Hình28**

Điều chỉnh độ dài của băng treo khi cần thiết.

► **Hình29**

Vận hành máy thổi

⚠ THẬN TRỌNG: Không đặt máy trên mặt đất trong khi máy đang bật. Cát hoặc bụi bắn có thể bay vào ngõ vào đầu hút và gây ra sự cố hỏng hóc hoặc thương tích cá nhân.

Giữ chặt máy bằng tay và thực hiện vận hành máy thổi bằng cách di chuyển máy chậm chậm xung quanh. Khi dùng máy thổi xung quanh tòa nhà, hướng vòi phun tránh đá lớn hoặc xe cộ. Khi thực hiện thao tác ở trong góc, hãy bắt đầu từ trong góc và sau đó di chuyển ra vùng rộng hơn bên ngoài.

► **Hình30**

Khi đặt máy xuống, mở khóa nịt trên băng treo bằng một tay trong khi giữ máy bằng tay kia.

► **Hình31:** 1. Khóa nịt

► **Hình32:** 1. Khóa nịt

Khi đặt máy và bộ cấp nguồn di động đeo vai xuống cùng một lúc, hãy mở khóa nịt trên đai thắt lưng, sau đó đặt máy và bộ cấp nguồn di động đeo vai xuống.

► **Hình33:** 1. Khóa nịt

LƯU Ý: Khi mở khóa nịt, nhấn mấu của khóa nịt ở cả hai bên. Khi khóa khóa nịt, tra mấu vào cho đến khi mấu được khóa lại.

► **Hình34:** 1. Mấu

Sử dụng bộ vòi phun máng nước

⚠ THẬN TRỌNG: Khi sử dụng bộ vòi phun máng nước, không được dùng máy ở chế độ Tăng (Boost). Bạn có thể mất thăng bằng và có thể gây ra tai nạn vì lượng không khí trở nên lớn hơn ở chế độ Tăng (Boost).

⚠ THẬN TRỌNG: Khi sử dụng bộ vòi phun máng nước, không cầm máy thổi bằng một tay mà phải cầm bằng cả hai tay.

► **Hình35**

⚠ THẬN TRỌNG: Không sử dụng bộ phun máng nước gần đường dây điện.

► **Hình36**

⚠ THẬN TRỌNG: Không sử dụng bộ phun máng nước vào ngày gió mạnh.

► **Hình37**

⚠ THẬN TRỌNG: Khi sử dụng bộ phun máng nước, giữ người khác và động vật cách xa máy thổi hơn 15 m (50 ft).

► **Hình38**

Cầm máy thổi thẳng đứng bằng cách nắm lấy tay cầm của máy thổi. Đặt đầu ra của máy thổi trên máng nước và bật máy thổi lên.

► **Hình39**

BẢO TRÌ

⚠ THẬN TRỌNG: Luôn đảm bảo đã tắt máy và ngắt kết nối bộ cấp nguồn di động đeo vai khỏi máy trước khi cố gắng thực hiện việc kiểm tra hay bảo dưỡng.

Để đảm bảo ĐỘ AN TOÀN và ĐỘ TIN CẬY của sản phẩm, việc sửa chữa hoặc bất cứ thao tác bảo trì, điều chỉnh nào đều phải được thực hiện bởi các Trung tâm Dịch vụ Nhà máy hoặc Trung tâm được Makita Ủy quyền và luôn sử dụng các phụ tùng thiết bị thay thế của Makita.

Vệ sinh máy

Làm sạch máy bằng cách lau hết bụi bằng vải khô hoặc vải nhúng vào nước xà phòng và vắt khô.

► **Hình40**

CHÚ Ý: Không được phép dùng xăng, ét xăng, dung môi, cồn hoặc hóa chất tương tự. Có thể xảy ra hiện tượng mất màu, biến dạng hoặc nứt vỡ.

Loại bỏ bụi hoặc bụi bẩn khỏi ngõ vào đầu hút ở phía sau của máy.

► **Hình41:** 1. Ngõ vào đầu hút

Cắt giữ

Trước khi cắt máy, ngắt kết nối bộ cấp nguồn di động đeo vai khỏi máy và thực hiện bảo dưỡng đầy đủ. Cắt giữ máy ở nơi tránh xa tầm tay trẻ em và không tiếp xúc với hơi ẩm, mưa hay ánh nắng trực tiếp.

Lỗ móc treo ở dưới máy thuận tiện cho việc treo máy trên đỉnh hoặc ốc vít trên tường.

► **Hình42:** 1. Lỗ

XỬ LÝ SỰ CỐ

Trước khi yêu cầu sửa chữa, đầu tiên hãy tự tiến hành kiểm tra của riêng bạn. Nếu bạn phát hiện vấn đề nào đó không được giải thích trong sách hướng dẫn sử dụng này, đừng cố tháo dỡ máy. Thay vào đó, hãy nhờ Trung tâm dịch vụ Makita được ủy quyền, luôn sử dụng bộ phận thay thế của Makita để sửa chữa.

Tình trạng bất thường	Nguyên nhân tiềm tàng (sự cố hỏng hóc)	Biện pháp khắc phục
Động cơ không chạy.	Pin chưa được lắp.	Lắp pin.
	Vấn đề pin (điện áp thấp)	Sạc lại pin. Nếu sạc pin lại không hiệu quả, hãy thay thế pin.
	Hệ thống truyền động không làm việc đúng cách.	Nhờ trung tâm bảo trì được ủy quyền ở địa phương sửa chữa.
Động cơ ngừng chạy sau khi ít sử dụng đến.	Mức sạc pin thấp.	Sạc lại pin. Nếu sạc pin lại không hiệu quả, hãy thay thế pin.
	Quá nhiệt.	Ngừng sử dụng máy để giúp máy nguội dần.
Máy không đạt tốc độ tối đa.	Pin được lắp đúng cách.	Lắp pin như mô tả trong sách hướng dẫn này.
	Nguồn pin bị tụt áp.	Sạc lại pin. Nếu sạc pin lại không hiệu quả, hãy thay thế pin.
	Hệ thống truyền động không làm việc đúng cách.	Nhờ trung tâm bảo trì được ủy quyền ở địa phương sửa chữa.
Rung bất thường: ⇒ ngừng máy ngay lập tức!	Hệ thống truyền động không làm việc đúng cách.	Nhờ trung tâm bảo trì được ủy quyền ở địa phương sửa chữa.
Động cơ không thể dừng lại: ⇒ Tháo hộp pin ngay lập tức!	Hư hỏng điện hoặc điện tử.	Tháo pin và nhờ trung tâm bảo trì được ủy quyền ở địa phương sửa chữa.

PHỤ KIỆN TỰ CHỌN

⚠ THẬN TRỌNG: Các phụ kiện hoặc phụ tùng gắn thêm này được khuyến cáo sử dụng với sản phẩm Makita của bạn theo như quy định trong hướng dẫn này. Việc sử dụng bất cứ phụ kiện hoặc phụ tùng gắn thêm nào khác đều có thể gây ra rủi ro thương tích cho người. Chỉ sử dụng phụ kiện hoặc phụ tùng gắn thêm cho mục đích đã quy định sẵn của chúng.

Nếu bạn cần bất kỳ sự hỗ trợ nào để biết thêm chi tiết về các phụ tùng này, hãy hỏi Trung tâm Dịch vụ của Makita tại địa phương của bạn.

- Ống chuyển đổi
- Vòi phun nối dài
- Vòi phun dẹt
- Bộ vòi phun máng nước

- Bộ băng
- Pin và bộ sạc chính hãng của Makita

LƯU Ý: Một số mục trong danh sách có thể được bao gồm trong gói sản phẩm làm phụ kiện tiêu chuẩn. Các mục này có thể thay đổi tùy theo từng quốc gia.

ข้อมูลจำเพาะ

รุ่น:	UB001C	
สมรรถนะ	ปริมาณลม	0 - 17.6 m ³ /min
	ความเร็วลม (ปานกลาง)	0 - 58.0 m/s
	ความเร็วลม (สูงสุด)	0 - 70.0 m/s
ความยาวโดยรวม (รวมปลายหัวฉีด)		960 mm / 1,010 mm / 1,060 mm
แรงดันไฟฟ้าสูงสุด		D.C. 36 V - 40 V สูงสุด
น้ำหนักสุทธิ		2.6 - 2.9 kg
ระดับการป้องกัน		IPX4

- เนื่องจากการค้นคว้าวิจัยและพัฒนาอย่างต่อเนื่อง ข้อมูลจำเพาะในเอกสารฉบับนี้อาจเปลี่ยนแปลงได้โดยไม่ต้องแจ้งให้ทราบล่วงหน้า
- ข้อมูลจำเพาะอาจแตกต่างกันไปในแต่ละประเทศ
- นำหนักตามข้อบังคับของ EPTA 01/2014


ชุดต้นกำลังแบบพกพาที่ใช้ได้



PDC1200 / PDC01

คำเตือน: ใช้ชุดต้นกำลังแบบพกพาที่ระบุไว้ข้างบนเท่านั้น การใช้ชุดต้นกำลังแบบพกพาประเภทอื่นอาจก่อให้เกิดความเสี่ยงที่จะได้รับบาดเจ็บและ/หรือเกิดไฟไหม้


สัญลักษณ์

ต่อไปนี้เป็นสัญลักษณ์ที่อาจใช้สำหรับอุปกรณ์ โปรดศึกษาความหมายของสัญลักษณ์ให้เข้าใจก่อนการใช้งาน

 ใช้ความระมัดระวังและความสนใจเป็นพิเศษ

  อ่านคู่มือการใช้งาน

 ดูแลให้มืออยู่ห่างจากชิ้นส่วนที่หมุนอยู่

 ห้ามที่ยาวอาจเข้าไปติดและทำให้เกิดอุบัติเหตุได้

  อย่าให้ผู้อื่นเข้ามาใกล้บริเวณที่ปฏิบัติงาน



สวมใส่อุปกรณ์ป้องกันดวงตาและหู



อย่าให้เครื่องมือโดนความชื้น



Ni-MH
Li-ion

สำหรับประเทศในสหภาพยุโรปเท่านั้น ห้ามทิ้งอุปกรณ์ไฟฟ้าหรือชุดแบตเตอรี่ร่วมกับขยะรีไซเคิลทั่วไป เพื่อให้เป็นไปตามกฎระเบียบของยุโรปเกี่ยวกับขยะจากอุปกรณ์ไฟฟ้าและอิเล็กทรอนิกส์ และขยะจากแบตเตอรี่และหม้อสะสมไฟฟ้า และการปฏิบัติตามกฎหมายในประเทศ ต้องเก็บอุปกรณ์ไฟฟ้าและแบตเตอรี่และชุดแบตเตอรี่ทั้งหมดอายุการใช้งานแล้วแยกต่างหากและส่งกลับไปยังศูนย์รีไซเคิลที่เป็นมิตรต่อสิ่งแวดล้อม

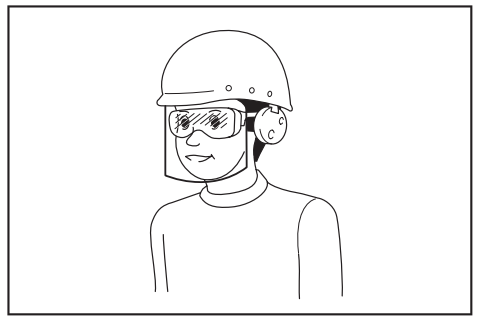
จุดประสงค์การใช้งาน

เครื่องนี้ใช้สำหรับเป่าฝุ่น

คำเตือนด้านความปลอดภัย

คำแนะนำด้านความปลอดภัยของเครื่องเป่าลม พลังงานแบตเตอรี่

คำเตือน: อ่านคำเตือนด้านความปลอดภัยและคำแนะนำทั้งหมด การไม่ปฏิบัติตามคำเตือนและคำแนะนำดังกล่าวอาจส่งผลให้ไฟฟ้าช็อต ไฟไหม้ และ/หรือได้รับบาดเจ็บร้ายแรง



เก็บรักษาคำเตือนและคำแนะนำทั้งหมดไว้ เป็นข้อมูลอ้างอิงในอนาคต

การฝึกปฏิบัติ

1. อ่านคำแนะนำอย่างละเอียด ลองควบคุมและใช้เครื่องเป่าลมด้วยวิธีที่ถูกต้องจนคุ้นเคย
2. อย่าให้เด็ก บุคคลที่มีความบกพร่องทางร่างกาย ทางประสาทสัมผัส หรือทางสภาพจิตใจ หรือขาดประสบการณ์และความรู้ หรือบุคคลที่ไม่คุ้นเคยกับคำแนะนำดีพอ ใช้งานเครื่องเป่าลม ช้อบบังคับท้องถิ่น อาจมีการจำกัดอายุของผู้ปฏิบัติงาน
3. อย่าใช้งานเครื่องเป่าลมในขณะที่มีบุคคลอื่น โดยเฉพาะเด็กหรือสัตว์เลี้ยงอยู่ในบริเวณใกล้ๆ
4. โปรดพึงระลึกไว้เสมอว่าผู้ปฏิบัติงานและผู้ใช้งานจะเป็นผู้รับผิดชอบต่ออุบัติเหตุหรืออันตรายต่างๆ ที่เกิดขึ้นต่อผู้อื่นหรือทรัพย์สินของผู้อื่น

การเตรียมความพร้อม

1. สวมใส่รองเท้าและกางเกงขายาวที่รัดกุมขณะใช้งานเครื่องเป่าลมเสมอ
2. อย่าสวมใส่เสื้อผ้าที่รุ่มร่ามหรือเครื่องประดับที่อาจถูกดูดเข้าไปในช่องลมเข้า เก็บผมให้เรียบร้อยให้ห่างจากช่องลมเข้า
3. สวมใส่แว่นครอบตานิรภัยเพื่อปกป้องดวงตาของคุณจากการบาดเจ็บเมื่อใช้เครื่องมือไฟฟ้า แวนครอบตาจะต้องได้มาตรฐาน ANSI Z87.1 ในสหรัฐอเมริกา, EN 166 ในยุโรป หรือ AS/NZS 1336 ในออสเตรเลีย/นิวซีแลนด์ ในออสเตรเลีย/นิวซีแลนด์ จะต้องสวมเกราะป้องกันใบหน้าเพื่อปกป้องใบหน้าของคุณอย่างถูกต้องตามกฎหมายด้วย

ผู้ว่าจ้างมีหน้าที่รับผิดชอบในการบังคับผู้ใช้งานเครื่องมือและบุคคลอื่น ๆ ที่อยู่ในบริเวณที่ปฏิบัติงานให้ใช้อุปกรณ์ป้องกันที่เหมาะสม

4. ตรวจสอบใส่หน้ากากเพื่อป้องกันความระคายเคืองจากฝุ่น
5. ขณะใช้งานเครื่องมือ ให้สวมใส่รองเท้าที่มีการป้องกัน และมีพื้นกันลื่นเสมอ รองเท้าและรองเท้าบูตนิรภัยที่มีพื้นกันลื่นและปิดปลายเท้าจะช่วยลดความเสี่ยงในการได้รับบาดเจ็บ
6. ใช้อุปกรณ์ป้องกันส่วนบุคคล สวมแว่นตาป้องกันเสมอ อุปกรณ์ป้องกัน เช่น หน้ากากกันฝุ่น รองเท้านิรภัยกันลื่น หมวกนิรภัย หรือเครื่องป้องกันการได้ยินที่ใช้ในสภาพที่เหมาะสมจะช่วยลดการบาดเจ็บ
7. ตรวจสอบสายไฟก่อนการใช้งานเครื่องมือ หากสายไฟชำรุด โปรดสอบถามศูนย์บริการที่ได้รับบริการรับรองของ Makita เพื่อรับการซ่อม

การใช้งาน

1. ปิดสวิตช์เครื่องเป่าลมและถอดแบตเตอรี่ออก จากนั้นตรวจสอบให้แน่ใจว่าชิ้นส่วนหมุนทั้งหมดได้หยุดทำงานแล้ว
 - เมื่อใดก็ตามที่คุณไม่ได้ใช้งานเครื่องเป่าลม
 - ก่อนกำจัดสิ่งอุดตัน
 - ก่อนทำการตรวจสอบ ทำความสะอาด หรือซ่อมแซมเครื่องเป่าลม
 - หากเครื่องเป่าลมเริ่มสั่นอย่างผิดปกติ
2. ใช้งานเครื่องเป่าลมในเวลากลางวันหรือที่ที่มีแสงเพียงพอสว่างเท่านั้น
3. อย่าใช้เครื่องเป่าลมแบบสูดเอ้าม ควรรักษาความสมดุลและยืนอย่างมั่นคงทุกครั้ง
4. รักษาที่ยืนบนทางลาดให้เหมาะสมเสมอ
5. โปรดเดิน ห้ามวิ่ง
6. รักษาช่องระบายความร้อนทั้งหมดให้สะอาดปราศจากสิ่งสกปรก
7. ห้ามเป่าสิ่งสกปรกไปในทิศทางของผู้ที่อยู่ใกล้เคียง

8. ใช้งานเครื่องเป่าลมในตำแหน่งที่แนะนำ และบนพื้นผิวที่มั่นคง
9. อย่าใช้งานเครื่องเป่าลมในที่สูง
10. อย่าชี้หัวเป่าไปที่บุคคลที่อยู่บริเวณใกล้เคียงขณะใช้เครื่องเป่าลม
11. อย่าอุดช่องดูดลมและ/หรือช่องเป่าลมเด็ดขาด
 - ระวังอย่าให้ฝุ่นหรือสิ่งสกปรกมาอุดทางเข้าของช่องดูดลมหรือช่องเป่าลมเมื่อทำงานในพื้นที่ที่มีฝุ่นมาก
 - อย่าใช้หัวเป่านอกเหนือจากหัวเป่าที่กำหนดโดย Makita
 - อย่าใช้เครื่องเป่าลมกับลูกบอลสุบลม เรือยาง หรือสิ่งที่มีลักษณะใกล้เคียงกับที่กล่าวมา
12. อย่าใช้งานเครื่องเป่าลมใกล้หน้าต่างที่เปิดอยู่ ฯลฯ
13. ควรใช้งานเครื่องเป่าลมในช่วงเวลาที่เหมาะสมเท่านั้น ไม่ใช้งานเข้าเกินไปหรือติดเกินไป เนื่องจากอาจรบกวนบุคคลอื่นได้
14. ควรใช้คราดหรือไม้กวาดทำให้เศษต่างๆ กระจายตัวก่อนการเป่า
15. หากเครื่องเป่าลมปะทะกับวัตถุแปลกปลอม หรือเริ่มส่งเสียงหรือสั่นผิดปกติ ให้ปิดสวิตช์ให้เครื่องเป่าลมหยุดทำงานทันที ถอดแบตเตอรี่ออกจากเครื่องเป่าลม และตรวจสอบเครื่องเป่าลมเพื่อหาความเสียหายก่อนที่จะรีสตาร์ทและใช้งานเครื่องเป่าลม หากเครื่องเป่าลมชำรุด โปรดสอบถามศูนย์บริการที่ได้รับบริการรับรองของ Makita เพื่อรับการซ่อม
16. อย่าสอดนิ้วหรือวัตถุใดๆ เข้าไปในช่องดูดลมหรือช่องเป่าลม
17. ป้องกันไม่ให้เกิดการใช้งานโดยไม่ได้ตั้งใจ ตรวจสอบให้แน่ใจว่าสวิตช์อยู่ที่ตำแหน่งปิด ก่อนทำการใส่แบตเตอรี่ และก่อนยกหรือถือเครื่องเป่าลม การถือเครื่องเป่าลมโดยที่นิ้วอยู่ตรงสวิตช์ หรือการเคลื่อนที่เครื่องเป่าลมโดยที่สวิตช์เปิดอยู่อาจทำให้เกิดอุบัติเหตุได้
18. อย่าเป่าวัสดุอันตราย เช่น เล็บ เศษแก้ว หรือใบมีด
19. อย่าใช้เครื่องเป่าลมใกล้กับวัสดุที่ติดไฟได้
20. หลีกเลี่ยงการเป่าลมเป็นเวลานานในสภาพแวดล้อมที่มีอุณหภูมิต่ำ
21. อย่าใช้เครื่องมือเมื่อมีความเสี่ยงที่จะเกิดฟ้าผ่า
22. เมื่อคุณใช้เครื่องบนพื้นโคลน พื้นลาดที่เปียก หรือบริเวณที่ลื่น โปรดระมัดระวังการทรงตัว
23. หลีกเลี่ยงการทำงานในสภาพแวดล้อมที่อาจทำให้ผู้ใช้งานเหนื่อยล้ามากขึ้น

24. อย่าใช้เครื่องในสภาพอากาศที่เลวร้ายซึ่งมีทัศนวิสัยจำกัดหากไม่ทำเช่นนั้น อาจทำให้หกล้มหรือทำงานได้ไม่ถูกต้องเนื่องจากทัศนวิสัยไม่ดี
25. อย่าให้เครื่องจมน้ำ
26. เมื่อไปไม้เปียกหรือเศษสิ่งสกปรกติดอยู่กับปากดูด (ช่องระบายอากาศ) เนื่องจากฝน ให้เอาออก

การบำรุงรักษาและการเก็บรักษา

1. ตรวจสอบว่าเน็ต สลักเกลียว และสกรูทั้งหมดขันแน่นอยู่หรือไม่ เพื่อให้แน่ใจว่าเครื่องเป่าลมอยู่ในสภาพที่ปลอดภัยสำหรับการทำงาน
2. หากชิ้นส่วนสึกหรอหรือชำรุดให้เปลี่ยนชิ้นส่วนด้วยชิ้นส่วนที่กำหนดโดย Makita
3. เก็บเครื่องเป่าลมในที่แห้งและห่างจากมือเด็ก
4. เมื่อคุณหยุดเครื่องเป่าลมเพื่อทำการตรวจสอบ ซ่อมบำรุง จัดเก็บ หรือเปลี่ยนอุปกรณ์เสริม ให้ปิดสวิตช์เครื่องเป่าลมและตรวจสอบให้แน่ใจว่าชิ้นส่วนที่เคลื่อนไหวทั้งหมดหยุดสนิท และถอดแบตเตอรี่ออก รอให้เครื่องเป่าลมเย็นลงก่อนที่จะทำงานใดๆ กับเครื่องเป่าลม ดูแลเครื่องเป่าลมด้วยความระมัดระวังและโปรดรักษาความสะอาด
5. ทิ้งให้เครื่องเป่าลมเย็นลงก่อนการจัดเก็บเสมอ
6. อย่าให้เครื่องเป่าลมโดนฝน เก็บเครื่องเป่าลมในที่ร่ม
7. เมื่อคุณยกเครื่องเป่าลม โปรดแน่ใจว่าได้ออกเข้าและระวังอย่าให้หลังบาดเจ็บ
8. อย่าทิ้งเครื่องไว้ข้างนอกกลางแจ้งโดยไม่ผู้ดูแล
9. อย่าล้างเครื่องด้วยน้ำแรงดันสูง
10. เมื่อเก็บเครื่อง หลีกเลี่ยงที่ที่ได้รับแสงอาทิตย์โดยตรงหรือฝน และเก็บไว้ในที่ที่ไม่เกิดความร้อนหรือความชื้น
11. ทำการตรวจสอบหรือบำรุงรักษาในสถานที่ที่สามารถหลีกเลี่ยงฝนได้
12. หลังใช้เครื่องให้นำสิ่งสกปรกที่ติดอยู่ออกและทำให้เครื่องแห้งสนิทก่อนจัดเก็บมีความเสี่ยงที่เครื่องจะทำงานผิดปกติเนื่องจากการเป็นน้ำแข็ง โดยขึ้นอยู่กับฤดูกาลหรือพื้นที่
13. อย่ายกหรือเคลื่อนย้ายเครื่องนี้โดยการถือเฉพาะที่สายไฟ

การใช้งานและดูแลเครื่องมือที่ใช้แบตเตอรี่

1. ชาร์จไฟใหม่ด้วยเครื่องชาร์จที่ระบุโดยผู้ผลิตเท่านั้น เครื่องชาร์จที่เหมาะสมสำหรับชุดแบตเตอรี่ประเภทหนึ่ง อาจเสี่ยงที่จะเกิดไฟไหม้หากนำไปใช้กับชุดแบตเตอรี่อีกประเภทหนึ่ง

- ใช้เครื่องมือไฟฟ้ากับชุดแบตเตอรี่ที่กำหนดมาโดยเฉพาะเท่านั้น การใช้ชุดแบตเตอรี่ประเภทอื่นอาจทำให้เสียงที่จะได้รับบาดเจ็บและเกิดไฟไหม้
- เมื่อไม่ใช้งานชุดแบตเตอรี่ ให้เก็บห่างจากวัตถุที่เป็นโลหะอื่นๆ เช่น คลิปหนีบกระดาษ เหรียญ กุญแจ กรรไกรตัดเล็บ สกรู หรือวัตถุที่เป็นโลหะขนาดเล็กอื่นๆ ที่สามารถเชื่อมต่อกับขั้วหนึ่งกับอีกขั้วหนึ่งได้ การลัดวงจรขั้วแบตเตอรี่อาจทำให้ร้อนจัดหรือเกิดไฟไหม้
- ในกรณีที่ใช้งานไม่ถูกต้อง อาจมีของเหลวไหลออกจากแบตเตอรี่ ให้หลีกเลี่ยงการสัมผัส หากสัมผัสโดนของเหลวโดยไม่ตั้งใจ ให้ล้างออกด้วยน้ำ หากของเหลวกระเด็นเข้าตา ให้รีบไปพบแพทย์ ของเหลวที่ไหลออกจากแบตเตอรี่อาจทำให้ผิวหนังระคายเคืองหรือไหม้
- ห้ามใช้ชุดแบตเตอรี่หรือเครื่องมือที่ชำรุดหรือมีการแก้ไข แบตเตอรี่ที่เสียหายหรือมีการแก้ไขอาจทำให้เกิดสิ่งที่คาดไม่ถึงได้ เช่น ไฟไหม้ ระเบิด หรือเสียงต่อการบาดเจ็บ
- ห้ามใช้ชุดแบตเตอรี่อยู่ใกล้ไฟ หรือบริเวณที่มีอุณหภูมิสูงเกิน หากโดนไฟ หรืออุณหภูมิสูงเกิน 130 °C อาจก่อให้เกิดการระเบิดได้
- กรุณาปฏิบัติตามคำแนะนำสำหรับการชาร์จไฟ และห้ามชาร์จแบตเตอรี่หรือเครื่องมือในบริเวณที่มีอุณหภูมิเหนือไปจากที่ระบุในคำแนะนำ การชาร์จไฟที่ไม่เหมาะสม หรืออุณหภูมิเหนือไปจากช่วงอุณหภูมิที่ระบุในคำแนะนำอาจทำให้แบตเตอรี่เสียหายและเป็นการเพิ่มความเสี่ยงในการเกิดไฟไหม้

ความปลอดภัยทางไฟฟ้าและแบตเตอรี่

- อย่ากำจัดแบตเตอรี่ในไฟ แบตเตอรี่อาจจะระเบิดได้ ตรวจสอบรหัสท้องถิ่นสำหรับคำแนะนำเกี่ยวกับการกำจัดทั้งแบบพิเศษ
- อย่าเปิดหรือทำให้แบตเตอรี่เสียหาย อีเล็กโทรไลต์ที่ถูกปล่อยออกมาจะมีคุณสมบัติกัดกร่อน และอาจทำลายดวงตาหรือผิวหนังได้ อาจเป็นพิษหากกลืนกินเข้าไป
- อย่าชาร์จแบตเตอรี่กลางฝนหรือในสถานที่ที่เปียก
- ห้ามชาร์จไฟนอกบ้าน หรือกลางแจ้ง
- ห้ามจับอุปกรณ์ชาร์จรวมถึงปลั๊กเครื่องชาร์จและขั้วอุปกรณ์ชาร์จด้วยมือที่เปียก
- อย่าเปลี่ยนแบตเตอรี่กลางฝน

- อย่าให้ขั้วแบตเตอรี่เปียกของเหลว เช่น น้ำ หรืออย่าให้แบตเตอรี่แช่ในน้ำ อย่าทิ้งแบตเตอรี่ไว้กลางฝนและไม่ชาร์จ ใช้ หรือเก็บแบตเตอรี่ในสถานที่ที่ชื้นหรือเปียก หากขั้วเปียกหรือของเหลวเข้าไปด้านในแบตเตอรี่ แบตเตอรี่อาจลัดวงจร และมีความเสี่ยงที่จะเกิดความร้อนสูง ไฟไหม้ หรือระเบิดได้
- หลังนำแบตเตอรี่ออกจากเครื่องหรือเครื่องชาร์จแล้ว ตรวจสอบให้แน่ใจว่าได้ใส่ฝาครอบแบตเตอรี่เข้ากับแบตเตอรี่ และเก็บไว้ในที่แห้ง
- อย่าเปลี่ยนแบตเตอรี่ด้วยมือที่เปียก
- หากแบตเตอรี่เปียก ให้ระบายน้ำภายในออกแล้วเช็ดด้วยผ้าแห้ง ปล่อยให้แบตเตอรี่แห้งสนิทในที่แห้งก่อนใช้งาน

การซ่อมบำรุง

- นำเครื่องมือไฟฟ้าเข้ารับบริการจากช่างซ่อมที่ผ่านการรับรองโดยช่างมืออาชีพเท่านั้น เพราะจะทำให้การใช้เครื่องมือไฟฟ้ามีความปลอดภัย
- ห้ามใช้ชุดแบตเตอรี่ที่เสียหาย ชุดแบตเตอรี่ที่ใช้ควรเป็นชุดที่มาจากผู้ผลิต หรือผู้ให้บริการที่ได้รับอนุญาตเท่านั้น

ปฏิบัติตามคำแนะนำเหล่านี้

คำเตือน: อย่าให้ความไม่ระมัดระวังหรือความคุ้นเคยกับผลิตภัณฑ์ (จากการใช้งานซ้ำหลายครั้ง) อยู่เหนือการปฏิบัติตามกฎเกณฑ์ด้านความปลอดภัยในการใช้งานผลิตภัณฑ์อย่างเคร่งครัด

การใช้งานอย่างไม่เหมาะสมหรือการไม่ปฏิบัติตามกฎเกณฑ์ด้านความปลอดภัยในคู่มือการใช้งานนี้อาจทำให้ได้รับบาดเจ็บรุนแรง

คำแนะนำเพื่อความปลอดภัยที่สำคัญสำหรับดัลต้าแบตเตอรี่

- ก่อนใช้งานดัลต้าแบตเตอรี่ ให้อ่านคำแนะนำและเครื่องหมายเตือนทั้งหมดบน (1) เครื่องชาร์จแบตเตอรี่ (2) แบตเตอรี่ และ (3) ตัวผลิตภัณฑ์ที่ใช้แบตเตอรี่
- อย่าถอดแยกชิ้นส่วนหรือทำการดัดแปลงดัลต้าแบตเตอรี่ เนื่องจากอาจทำให้เกิดไฟไหม้ ความร้อนที่สูงเกินไป หรือระเบิดได้
- หากระยะเวลาที่เครื่องทำงานสั้นเกินไป ให้หยุดใช้งานทันที เนื่องจากอาจมีความเสี่ยงที่จะร้อนจัด ไหม้หรือระเบิดได้

4. หากสารละลายอิเล็กโทรไลต์กระเด็นเข้าตา ให้ล้างออกด้วยน้ำเปล่าและรีบไปพบแพทย์ทันที เนื่องจากอาจทำให้ตาบอด
5. ห้ามลัดวงจรตลับแบตเตอรี่:
 - (1) ห้ามแตะขั้วกับวัตถุที่เป็นสื่อนำไฟฟ้าใดๆ
 - (2) หลีกเลี่ยงการเก็บตลับแบตเตอรี่ไว้ในภาชนะร่วมกับวัตถุที่เป็นโลหะ เช่น กรรไกรตัดเล็บ เหรียญ ฯลฯ
 - (3) อย่าให้ตลับแบตเตอรี่ถูกน้ำหรือฝน แบตเตอรี่ลัดวงจรอาจทำให้เกิดการไหลของกระแสไฟฟ้า ร้อนจัดไหม้หรือเสียหายได้
6. ห้ามเก็บและใช้เครื่องมือและตลับแบตเตอรี่ไว้ในสถานที่ที่มีอุณหภูมิสูงถึงหรือเกิน 50 °C (122 °F)
7. ห้ามเผาตลับแบตเตอรี่ทิ้ง แม้ว่าแบตเตอรี่จะเสียหายจนใช้การไม่ได้หรือเสื่อมสภาพแล้ว ตลับแบตเตอรี่อาจจะระเบิดในกองไฟ
8. อย่าดองตะปู ตัด บด ข้าง หรือทำตลับแบตเตอรี่หล่นพื้น หรือกระแทกตลับแบตเตอรี่กับวัตถุของแข็ง การกระทำดังกล่าวอาจส่งผลให้เกิดไฟไหม้ ความร้อนที่สูงเกินไป หรือระเบิดได้
9. ห้ามใช้แบตเตอรี่ที่เสียหาย
10. แบตเตอรี่ที่เติมไอออนที่มีน้ำหนักเป็นไปตามข้อกำหนดของ Dangerous Goods Legislation สำหรับการขนส่งเพื่อการพาณิชย์ เช่น โดยบุคคลที่สาม ตัวแทนขนส่งสินค้า จะต้องตรวจสอบข้อกำหนดพิเศษในด้านการบรรจุหีบห่อหรือการติดป้ายสินค้าในการเตรียมสินค้าที่จะขนส่ง ให้ปรึกษาผู้เชี่ยวชาญด้านวัตถุอันตราย โปรดตรวจสอบข้อกำหนดในประเทศที่อาจมีรายละเอียดอื่นๆ เพิ่มเติม ให้ติดเทปหรือปิดหน้าสัมผัสและห่อแบตเตอรี่ในลักษณะที่แบตเตอรี่จะไม่เคลื่อนที่ไปมาในหีบห่อ

11. เมื่อกำจัดตลับแบตเตอรี่ ให้ถอดตลับแบตเตอรี่ออกจากเครื่องมือและกำจัดในสถานที่ที่ปลอดภัย ปฏิบัติตามข้อบังคับในท้องถิ่นที่เกี่ยวกับการกำจัดแบตเตอรี่
12. ใช้แบตเตอรี่กับผลิตภัณฑ์ที่ระบุโดย Makita เท่านั้น การติดตั้งแบตเตอรี่ในผลิตภัณฑ์ที่ไม่ใช่ตามที่ระบุอาจทำให้เกิดไฟไหม้ ความร้อนสูง ระเบิด หรืออิเล็กโทรไลต์รั่วไหลได้
13. หากไม่ใช่เครื่องมือเป็นระยะเวลานาน จะต้องถอดแบตเตอรี่ออกจากเครื่องมือ
14. ในระหว่างและหลังการใช้งาน ตลับแบตเตอรี่อาจร้อนซึ่งอาจลวกผิวหรือทำให้ผิวไหม้ที่อุณหภูมิต่ำได้ โปรดระมัดระวังในการจัดการกับแบตเตอรี่ที่ร้อน

15. อย่าสัมผัสขั้วของเครื่องมือทันทีหลังจากการใช้งาน เนื่องจากอาจมีความร้อนพอที่จะทำให้ผิวไหม้ได้
16. อย่าปล่อยให้เศษวัสดุ ฝุ่นผง หรือดินเข้าไปติดอยู่ในขั้ว รู และร่องของตลับแบตเตอรี่ เนื่องจากอาจทำให้เครื่องมือหรือตลับแบตเตอรี่ที่มีประสิทธิภาพลดลงหรือเสียหายได้
17. หากเครื่องมือไม่รองรับสายไฟแรงดันสูง อย่าใช้ตลับแบตเตอรี่ใกล้กับสายไฟแรงดันสูง เนื่องจากเครื่องมือหรือตลับแบตเตอรี่อาจทำงานผิดปกติหรือเสียหายได้
18. เก็บแบตเตอรี่ให้ห่างจากเด็ก

ปฏิบัติตามคำแนะนำเหล่านี้

⚠️ ข้อควรระวัง: ใช้แบตเตอรี่ของแท้จาก Makita เท่านั้น การใช้แบตเตอรี่ Makita ที่ไม่แท้ หรือแบตเตอรี่ที่ถูกเปลี่ยน อาจทำให้แบตเตอรี่ระเบิด ก่อให้เกิดเพลิงลุกไหม้ การบาดเจ็บ และความเสียหายได้ และจะทำให้การรับประกันของ Makita สำหรับเครื่องมือและแท่นชาร์จของ Makita เป็นโมฆะด้วย

เคล็ดลับในการรักษาอายุการใช้งานของแบตเตอรี่ให้ยาวนานที่สุด

1. ชาร์จตลับแบตเตอรี่ก่อนที่ไฟจะหมด หยุดการใช้งานแล้วชาร์จประจุไฟฟ้าใหม่ทุกครั้งเมื่อคุณรู้สึกว่าอุปกรณ์มีกำลังลดลง
2. อย่าชาร์จตลับแบตเตอรี่ที่มีไฟเต็มแล้ว การชาร์จประจุไฟฟ้ามากเกินไปอาจจะทำให้อายุการใช้งานของตลับแบตเตอรี่สั้นลง
3. ชาร์จประจุไฟฟ้าตลับแบตเตอรี่ในห้องที่มีอุณหภูมิระหว่าง 10 °C - 40 °C ปล่อยให้ตลับแบตเตอรี่เย็นลงก่อนที่จะชาร์จไฟ
4. เมื่อไม่ใช่ตลับแบตเตอรี่ ให้ถอดออกจากเครื่องมือหรือเครื่องชาร์จ
5. ชาร์จไฟตลับแบตเตอรี่หากคุณไม่ต้องการใช้เป็นเวลา (เกินกว่าหกเดือน)

การประกอบ

⚠️ ข้อควรระวัง: ตรวจสอบให้แน่ใจว่าได้ปิดสวิทช์เครื่อง และถอดชุดต้นกำลังแบบพกพาออกจากเครื่องก่อน ดำเนินการใดๆ กับเครื่อง

การติดตั้งปลายหัวฉีด

จัดเครื่องหมายสามเหลี่ยมบนปลายหัวฉีดให้ตรงกับ เครื่องหมายสามเหลี่ยมบนท่อด้านหน้า ติดปลายหัวฉีดเข้ากับท่อด้านหน้า แล้วหมุนปลายหัวฉีดให้ล็อกอยู่กับที่ ติดตั้งปลายหัวฉีดเพื่อให้ปลายหัวฉีดคว่ำลง คุณสามารถ ติดตั้งปลายหัวฉีดเพื่อให้ปลายหัวฉีดหงายขึ้นได้ ขึ้นอยู่กับ สภาพแวดล้อมการทำงาน

▶ **หมายเลข 1:** 1. เครื่องหมายสามเหลี่ยม 2. ปลายหัวเป่า 3. ท่อด้านหน้า

เมื่อต้องการถอดปลายหัวฉีด ให้ปฏิบัติย้อนขั้นตอนการติดตั้ง

หมายเหตุ: อาจปรับความยาวของหัวต่อได้โดยการขยับ หัวต่อตามแบบในภาพ

▶ **หมายเลข 2:** 1. ปลายหัวเป่า 2. ท่อด้านหน้า

การติดตั้งหัวเป่าแบบแบนหรือหัวเป่าเสริม

อุปกรณ์เสริม

1. จัดร่องบากบนท่ออะแดปเตอร์ให้ตรงกับส่วนที่ยื่นออกมาบนท่อด้านหน้า ติดท่ออะแดปเตอร์เข้ากับท่อด้านหน้า แล้วหมุนเพื่อล็อกให้อยู่กับที่

▶ **หมายเลข 3:** 1. ท่ออะแดปเตอร์ 2. ท่อด้านหน้า

2. จัดเครื่องหมายสามเหลี่ยมบนหัวเป่าแบบแบนให้ตรงกับส่วนที่ยื่นออกมาบนท่ออะแดปเตอร์ ติดหัวเป่าแบบแบนหรือหัวเป่าเสริมเข้ากับท่ออะแดปเตอร์ แล้วหมุนเพื่อล็อกให้อยู่กับที่

▶ **หมายเลข 4:** 1. หัวเป่าแบบแบน 2. หัวเป่าเสริม 3. ท่ออะแดปเตอร์

การติดตั้งชุดหัวฉีดรางน้ำ

อุปกรณ์เสริม

1. จัดร่องบากบนท่ออะแดปเตอร์ให้ตรงกับส่วนที่ยื่นออกมาบนท่อด้านหน้า ติดท่ออะแดปเตอร์เข้ากับท่อด้านหน้า แล้วหมุนเพื่อล็อกให้อยู่กับที่

สอดท่ออะแดปเตอร์เข้าไปจนสุดเพื่อให้ส่วนที่ยื่นออกมาพอดีกับร่องบากที่อยู่ลึกที่สุดบนท่ออะแดปเตอร์

▶ **หมายเลข 5:** 1. สกรู 2. แคลมป์สาย 3. ท่ออะแดปเตอร์ 4. ท่อด้านหน้า

2. คลายสกรูบนแคลมป์สาย สอดแคลมป์สายขนาดใหญ่ผ่านท่ออะแดปเตอร์ แล้วสอดแคลมป์สายขนาดเล็ก

3. เชื่อมต่อท่อฟุ้งกับท่ออะแดปเตอร์

จัดตำแหน่งร่องบนท่อฟุ้งให้ตรงกับส่วนที่ยื่นออกมาบนท่ออะแดปเตอร์ จากนั้นจึงเลื่อนท่อฟุ้งตามร่องเพื่อให้ เครื่องหมายสามเหลี่ยมหันหน้าตรงกัน

▶ **หมายเลข 6:** 1. ท่อฟุ้ง 2. ท่ออะแดปเตอร์

4. ใส่แคลมป์สายบนร่องตามภาพประกอบและขันสกรู

▶ **หมายเลข 7:** 1. สกรู 2. แคลมป์สาย

5. โดยการอ้างอิงจากความสูงการประกอบ ให้เชื่อมต่อท่อฟุ้งที่เหลือกับท่อฟุ้งที่เชื่อมต่อเสร็จแล้ว

⚠️ ข้อควรระวัง: ห้ามเชื่อมต่อท่อฟุ้งหากความยาวทั้งหมดเมื่อรวมตัวเครื่องเป่าลมแล้วเกิน 4 m (14 ft)

6. หมุนท่อลมออกของปลายหัวฉีดตามภาพ

▶ **หมายเลข 8**

7. เชื่อมต่อปลายหัวฉีดกับท่อฟุ้ง เมื่อต้องการเชื่อมต่อ ให้ปรับเครื่องหมายสามเหลี่ยมบนปลายหัวฉีดให้ตรงกับท่อฟุ้ง จากนั้นจึงขันปลายหัวฉีดจนได้ยินเสียงคลิก หลังจากนั้น ให้หมุนปลายหัวฉีดไปในตำแหน่งที่เหมาะสมกับงานของคุณ

▶ **หมายเลข 9:** 1. ปลายหัวฉีด 2. ท่อฟุ้ง 3. เครื่องหมายสามเหลี่ยม

เมื่อต้องการถอดปลายหัวฉีด ให้ปรับเครื่องหมายสามเหลี่ยมบนปลายหัวฉีดให้ตรงกับท่อฟุ้ง จากนั้นจึงดึงปลายหัวฉีดออกจากท่อฟุ้ง

▶ **หมายเลข 10:** 1. ปลายหัวฉีด 2. ท่อฟุ้ง 3. เครื่องหมายสามเหลี่ยม

คำอธิบายการทำงาน

⚠ ข้อควรระวัง: ตรวจสอบให้แน่ใจว่าได้ปิดสวิตช์เครื่องและถอดชุดต้นกำลังแบบพกพาออกจากเครื่องก่อนปรับตั้งหรือตรวจสอบการทำงานของเครื่อง

ระบบป้องกันเครื่องมือ / แบตเตอรี่

เครื่องมือนี้มียระบบป้องกันเครื่องมือ/แบตเตอรี่ ระบบนี้จะตัดไฟที่ส่งไปยังมอเตอร์โดยอัตโนมัติเพื่อยืดอายุการใช้งานเครื่องมือและแบตเตอรี่ เครื่องจะหยุดทำงานระหว่างการใช้งานโดยอัตโนมัติ หากเครื่องหรือแบตเตอรี่อยู่ภายใต้สถานการณ์ต่อไปนี้

การป้องกันโอเวอร์โหลด

เมื่อเครื่องหรือแบตเตอรี่ทำงานในลักษณะที่ส่งผลให้ดึงกระแสไฟฟ้าสูงผิดปกติ เครื่องจะหยุดทำงานโดยอัตโนมัติ และสัญญาณไฟหลักของเครื่องจะกะพริบเป็นสีเขียว ในกรณีเช่นนี้ ให้ปิดเครื่องและหยุดการใช้งานที่ทำให้เครื่องทำงานหนักเกินไป จากนั้นเปิดเครื่องเพื่อเริ่มการทำงานอีกครั้ง

การป้องกันความร้อนสูงเกิน

เมื่อเครื่องหรือแบตเตอรี่ร้อนเกินไป เครื่องจะหยุดโดยอัตโนมัติ เมื่อเครื่องเกิดความร้อนสูงเกินไป สัญญาณไฟหลักของเครื่องจะสว่างเป็นสีแดง เมื่อแบตเตอรี่เกิดความร้อนสูงเกินไป สัญญาณไฟหลักของเครื่องจะกะพริบเป็นสีแดง ปล่อยให้เครื่องมือและแบตเตอรี่เย็นลงก่อนที่จะเปิดเครื่องมืออีกครั้ง

การป้องกันไฟหมด

เมื่อความจุแบตเตอรี่ไม่เพียงพอ เครื่องจะหยุดทำงานโดยอัตโนมัติ และสัญญาณไฟหลักของเครื่องจะกะพริบเป็นสีแดง ในกรณีดังกล่าว ให้ถอดแบตเตอรี่ออกจากเครื่อง แล้วนำแบตเตอรี่ไปชาร์จหรือเปลี่ยนแบตเตอรี่เป็นก้อนที่ชาร์จไฟเต็มแล้ว

สวิตช์ไฟหลัก

⚠ คำเตือน: ปิดสวิตช์ไฟหลักเสมอเมื่อไม่ได้ใช้งาน

การเปิดเครื่อง ให้กดสวิตช์ไฟหลัก สัญญาณไฟหลักจะสว่างขึ้นเป็นสีเขียว เมื่อต้องการปิด ให้กดสวิตช์ไฟหลักอีกครั้ง

▶ **หมายเลข 11:** 1. สัญญาณไฟหลัก 2. สวิตช์ไฟหลัก

หมายเหตุ: เครื่องนี้มีฟังก์ชันปิดเครื่องอัตโนมัติ เพื่อหลีกเลี่ยงการเริ่มใช้งานเครื่องมือโดยไม่ได้ตั้งใจ สวิตช์ไฟหลักจะปิดโดยอัตโนมัติเมื่อไม่มีการกดสวิตช์สั่งงานภายในระยะเวลาหนึ่งหลังจากเปิดสวิตช์ไฟหลักแล้ว

หมายเหตุ: หากคุณกดสวิตช์ไฟหลักขณะที่ก้านควบคุมยังไม่กลับไปที่ตำแหน่งปิดจนสุด หรือขณะที่กำลังตั้งสวิตช์สั่งงาน สัญญาณไฟหลักจะกะพริบเป็นสีเขียว ในกรณีนี้ ให้ดันก้านควบคุมคืนจนสุด หรือปล่อยสวิตช์สั่งงาน แล้วกดสวิตช์ไฟหลัก

การทำงานของสวิตช์

⚠ คำเตือน: ก่อนเชื่อมต่อชุดต้นกำลังแบบพกพาเข้ากับเครื่อง ให้ตรวจสอบว่าสวิตช์สั่งงานสามารถทำงานได้อย่างถูกต้อง และกลับไปยังตำแหน่ง "ปิด" เมื่อปล่อย

การเริ่มใช้งานเครื่อง เพียงแค่กดสวิตช์สั่งงานเท่านั้น ความเร็วจะเพิ่มขึ้นเมื่อออกแรงกดที่สวิตช์สั่งงานแรงขึ้น ปล่อยสวิตช์สั่งงานเพื่อหยุดเครื่องมือ

▶ **หมายเลข 12:** 1. สวิตช์สั่งงาน

คุณสามารถใช้เครื่องมือโหมดเพิ่มแรงบิดได้ ในโหมดเพิ่มแรงบิด ปริมาณลมจะมากกว่าโหมดปกติ การใช้เครื่องมือในโหมดเพิ่มแรงบิด ตั้งสวิตช์สั่งงานจนกว่าสวิตช์สั่งงานหยุดในตำแหน่งครึ่งทาง แล้วตั้งสวิตช์สั่งงานจนสุด

▶ **หมายเลข 13:** 1. สวิตช์สั่งงาน

หมายเหตุ: โหมดเพิ่มแรงบิดถูกจำกัดการใช้งานเพื่อปกป้องเครื่อง ซึ่งอยู่กับการใช้งาน หากสัญญาณไฟหลักของเครื่องกะพริบเป็นสีเขียวเมื่อคุณตั้งสวิตช์สั่งงานจนสุดหรือระหว่างที่คุณกำลังใช้เครื่องมือในโหมดเพิ่มแรงบิด จะไม่สามารถใช้โหมดเพิ่มแรงบิดได้

หมายเหตุ: โหมดเพิ่มแรงบิดจะไม่สามารถใช้งานได้ด้วยการใช้ก้านควบคุม

ฟังก์ชันควบคุมความเร็วอัตโนมัติ

ฟังก์ชันควบคุมความเร็วอัตโนมัติช่วยให้ผู้ปฏิบัติงานรักษาความเร็วได้คงที่โดยที่ไม่ต้องเหนี่ยวไก ในการเพิ่มความเร็วให้หมุนก้านควบคุมไปข้างหน้า ในการลดความเร็วให้หมุนก้านควบคุมไปข้างหลัง

▶ **หมายเลข 14:** 1. ก้านควบคุม

ฟังก์ชันป้องกันการรีสตาร์ทโดยไม่ได้ตั้งใจ

แม้คุณจะเชื่อมต่อชุดต้นกำลังแบบพกพาเข้ากับเครื่องระหว่างตั้งสวิตช์สั่งงาน เครื่องจะไม่เริ่มทำงาน เพื่อเริ่มใช้งานเครื่องมือ อันดับแรกให้ปล่อยสวิตช์สั่งงานและเลื่อนก้านควบคุมกลับตำแหน่งเดิมจนสุด จากนั้นจึงตั้งสวิตช์สั่งงาน

การใช้งาน

การเชื่อมต่อชุดต้นกำลังแบบพกพา

⚠️ ข้อควรระวัง: เมื่อคุณใช้เครื่องร่วมกับแหล่งจ่ายไฟแบบสะพายหลัง เช่น ชุดต้นกำลังแบบพกพา ใช้สายแชนที่พร้อมอยู่ในชุดเครื่องหรือสายแชนที่ Makita แนะนำ หากคุณใช้สายสะพายไหล่ที่ Makita ไม่แนะนำ และสายสะพายไหล่ของแหล่งจ่ายไฟแบบสะพายหลังพร้อมกัน ให้ถอดเครื่องหรือแหล่งจ่ายไฟแบบสะพายหลังจะทำได้ยากในกรณีฉุกเฉิน และอาจก่อให้เกิดอุบัติเหตุหรือการบาดเจ็บ สำหรับสายแชนที่แนะนำ ให้สอบถามศูนย์บริการที่ได้รับบริการรับรองจาก Makita

⚠️ ข้อควรระวัง: ก่อนการทำงาน ตรวจสอบให้แน่ใจว่าลอคหัวเข็มขัดบนเข็มขัดคาดเอวและติดเครื่องเข้ากับขอเกี่ยวของสายแชนอย่างแน่นหนาแล้ว

⚠️ ข้อควรระวัง: การป้องกันไม่ให้เกิดการใช้งานโดยไม่ได้ตั้งใจ ตรวจสอบให้แน่ใจว่าปิดเครื่องและชุดต้นกำลังแบบพกพาก่อนเริ่มขั้นตอนนี้

⚠️ ข้อควรระวัง: ก่อนทำตามขั้นตอนนี้ ให้การปรับเข็มขัดคาดเอวและสายสะพายไหล่ให้เสร็จสิ้น โปรดดูรายละเอียดในคู่มือการใช้งานชุดต้นกำลังแบบพกพา

สำหรับ PDC1200

⚠️ ข้อควรระวัง: ขณะถอดแบตเตอรี่ ให้กดปุ่มลอคขณะที่ยึดมือจับไว้ให้แน่น ก่อนถอดแบตเตอรี่ ให้ปรับเข็มขัดคาดเอวในตำแหน่งที่ดีที่สุด

▶ **หมายเลข 15:** 1. มือจับ 2. ปุ่มลอค

⚠️ ข้อควรระวัง: ระวังอย่าให้แบตเตอรี่กับแผ่นฐานหนีบนิ้วมือหรือนิ้วโป้งขณะใส่แบตเตอรี่

⚠️ ข้อควรระวัง: ตรวจสอบให้แน่ใจว่าแบตเตอรี่ถูกยึดเข้ากับแผ่นฐานแน่นแล้ว ไม่เช่นนั้น แบตเตอรี่อาจร่วงหล่นขณะที่คุณสะพายอุปกรณ์หรือใช้อุปกรณ์ และส่งผลให้ได้รับบาดเจ็บได้ หากยังเห็นซิลิโคนตามทีแสดงในภาพ แสดงว่าตั้บแบตเตอรี่ยังไม่ลอคเข้าที่

▶ **หมายเลข 16:** 1. ซิลิโคน

สำหรับ PDC01

หมายเหตุ: ก่อนทำตามขั้นตอนนี้ ให้ติดตั้งตั้บแบตเตอรี่เข้ากับชุดต้นกำลังแบบพกพา โปรดดูรายละเอียดในคู่มือการใช้งานชุดต้นกำลังแบบพกพา

1. ดึงสายไฟออกจากด้านซ้ายหรือด้านขวาของแบตเตอรี่

สำหรับ PDC1200

ถอดแบตเตอรี่ออกจากแผ่นฐาน ดึงสายไฟออกจากด้านซ้ายหรือด้านขวาของแบตเตอรี่ แล้วดึงแบตเตอรี่เข้ากับแผ่นฐาน เมื่อดึงสายไฟออกมาแล้ว ให้ใส่สายไฟเข้าไปในที่ยึดตามที่แสดงในภาพ

▶ **หมายเลข 17:** 1. สายไฟ 2. ที่ยึด

สำหรับ PDC01

เมื่อดึงสายไฟออกมาแล้ว ให้ใส่สายไฟเข้าไปในที่ยึดตามที่แสดงในภาพ

▶ **หมายเลข 18:** 1. สายไฟ 2. ที่ยึด

2. ยึดสายไฟเข้ากับที่ยึดสายไฟ

▶ **หมายเลข 19:** 1. ที่ยึดสายไฟ

3. ดัดตั้งขอเกี่ยวของสายแชนเข้ากับห่วงของสายสะพายไหล่และเข็มขัดคาดเอว

▶ **หมายเลข 20:** 1. แหวน 2. ขอเกี่ยว

4. กดปุ่มไฟหลักบนชุดต้นกำลังแบบพกพา สัญญาณไฟหลักจะสว่างขึ้น

สำหรับ PDC1200

▶ **หมายเลข 21:** 1. ปุ่มไฟหลัก 2. สัญญาณไฟหลัก

สำหรับ PDC01

▶ **หมายเลข 22:** 1. ปุ่มไฟหลัก 2. สัญญาณไฟหลัก

5. สวมสายสะพายไหล่ของชุดต้นกำลังแบบพกพาและลอคหัวเข็มขัดบนเข็มขัดคาดเอว

▶ **หมายเลข 23**

6. ดึงสายสะพายไหล่เข้ากับเครื่องโดยใช้ขอเกี่ยวบนสายแชน ตรวจสอบให้แน่ใจว่าได้เกี่ยวบนที่แชนของเครื่อง

▶ **หมายเลข 24:** 1. ขอเกี่ยว 2. ที่แชน

ปรับความยาวของสายแชนตามความจำเป็น

▶ **หมายเลข 25**

7. เสียบปลั๊กของเครื่องเข้ากับเบ้าปลั๊กของชุดต้นกำลังแบบพกพา

ขณะเสียบ ให้จัดแนวเครื่องหมายสามเหลี่ยมทั้งบนปลั๊กและเบ้าปลั๊ก

▶ **หมายเลข 26:** 1. ปลั๊ก 2. เบ้าปลั๊ก 3. เครื่องหมายสามเหลี่ยม

8. กดที่สวิตช์ไฟหลักเพื่อเปิดเครื่อง

เครื่องพร้อมทำงานแล้ว เครื่องจะทำงานเมื่อคุณดึงสวิตช์สั่งงาน

▶ **หมายเลข 27:** 1. สวิตช์ไฟหลัก

หมายเหตุ: ปรับตำแหน่งสายที่แขวนตามที่ตั้งแสดงในภาพ

▶ หมายเลข 28

ปรับความยาวของสายแขวนตามความจำเป็น

▶ หมายเลข 29

การใช้งานเครื่องเป่าลม

⚠ ข้อควรระวัง: อย่าวางเครื่องลงบนพื้นขณะที่เปิดเครื่องอยู่ ทหารยหรือฝุ่นอาจเข้ามาทางช่องดูดลมและทำให้เกิดความผิดปกติหรือได้รับบาดเจ็บได้

จับเครื่องด้วยมือให้แน่นและทำการเป่าโดยเคลื่อนที่ไปรอบๆ อย่างช้าๆ เมื่อเป่าลมไปรอบๆ อาคาร หินขนาดใหญ่ หรือ ยานพาหนะ ให้หันหัวเป่าออกไปจากสิ่งนั้นๆ เมื่อทำการปฏิบัติงานพื้นที่มุม ให้เริ่มจากมุมแล้วค่อยย้ายไปยังพื้นที่กว้าง

▶ หมายเลข 30

ขณะที่วางเครื่องลง ให้ปลดล็อกหัวเข็มขัดบนสายแขวนด้วยมือข้างหนึ่ง และถือเครื่องไว้ด้วยมืออีกข้างหนึ่ง

▶ หมายเลข 31: 1. หัวเข็มขัด

▶ หมายเลข 32: 1. หัวเข็มขัด

ขณะที่วางเครื่องและชุดต้นกำลังแบบพกพาพร้อมกัน ให้ปลดล็อกหัวเข็มขัดบนเข็มขัดคาดเอว แล้ววางเครื่องมือและชุดต้นกำลังแบบพกพา

▶ หมายเลข 33: 1. หัวเข็มขัด

หมายเหตุ: ขณะที่ปลดล็อกหัวเข็มขัด ให้กดเขี้ยวของหัวเข็มขัดทั้งสองด้าน ขณะที่ล็อกหัวเข็มขัด ให้สอดเขี้ยวเข้าไปจนล็อก

▶ หมายเลข 34: 1. เขี้ยว

การใช้ชุดหัวฉีดรางน้ำ

⚠ ข้อควรระวัง: เมื่อใช้ชุดหัวฉีดรางน้ำ ห้ามใช้เครื่องในโหมดเพิ่มแรงบิด คุณอาจเสียการทรงตัวและอาจทำให้เกิดอุบัติเหตุได้เนื่องจากปริมาณลมจะมากขึ้นในโหมดเพิ่มแรงบิด

⚠ ข้อควรระวัง: เมื่อใช้ชุดหัวฉีดรางน้ำ อย่าใช้เครื่องเป่าลมด้วยมือเดียว แต่ให้ใช้สองมือช่วยจับ

▶ หมายเลข 35

⚠ ข้อควรระวัง: อย่าใช้ชุดหัวฉีดรางน้ำใกล้สายไฟฟ้า

▶ หมายเลข 36

⚠ ข้อควรระวัง: อย่าใช้ชุดหัวฉีดรางน้ำในวันที่ลมแรง

▶ หมายเลข 37

⚠ ข้อควรระวัง: เมื่อใช้ชุดหัวฉีดรางน้ำ กันคนอื่นหรือสัตว์ไว้ห่างจากเครื่องเป่าลม 15 m (50 ft)

▶ หมายเลข 38

ปรับเครื่องเป่าลมให้ตรงโดยการจับที่มีมือจับของเครื่องเป่าลม วางท่อลมออกของเครื่องเป่าลมบนรางน้ำ จากนั้นจึงเปิดเครื่องเป่าลม

▶ หมายเลข 39

การบำรุงรักษา

⚠ ข้อควรระวัง: ตรวจสอบให้แน่ใจว่าได้ปิดสวิตช์เครื่องและถอดชุดต้นกำลังแบบพกพาออกจากเครื่องก่อนพยายามทำการตรวจสอบหรือบำรุงรักษาบนเครื่อง

เพื่อความปลอดภัยและนำเชื้อถือของผลิตภัณฑ์ ควรให้ศูนย์บริการหรือโรงงานที่ผ่านการรับรองจาก Makita เป็นผู้ดำเนินการซ่อมแซม บำรุงรักษาและทำการปรับตั้งอื่นๆ นอกจากนี้ให้ใช้อะไหล่ของแท้จาก Makita เสมอ

การทำความสะอาดเครื่องมือ

ทำความสะอาดเครื่องโดยเช็ดฝุ่นออกด้วยผ้าแห้งหรือผ้าชุบน้ำสบู่บิดหมาด

▶ หมายเลข 40

ข้อสังเกต: อย่าใช้น้ำมันเชื้อเพลิง เบนซิน ทินเนอร์ แอลกอฮอล์ หรือวัสดุประเภทเดียวกัน เนื่องจากอาจทำให้ลื่นหรือเสียหายได้

กำจัดฝุ่นหรือสิ่งสกปรกออกจากช่องดูดลมที่ด้านหลังของเครื่อง

▶ หมายเลข 41: 1. ช่องดูดลม

การเก็บรักษา

ก่อนเก็บเครื่อง ให้ถอดชุดต้นกำลังแบบพกพาออกจากเครื่อง และทำการบำรุงรักษาเต็มรูปแบบ เก็บเครื่องไว้ในที่ที่เด็กเอื้อมไม่ถึง และไม่สัมผัสกับความชื้น ฝน หรือแดดส่องโดยตรง

ช่องขอก็วยตรงส่วนล่างของเครื่องใช้สำหรับแขวนเครื่องกับตะปูหรือสกรูบนกำแพง

▶ หมายเลข 42: 1. รู

การแก้ไขปัญหา

ก่อนนำไปซ่อม ให้ทำการตรวจสอบด้วยตัวเองก่อน หากพบปัญหาที่ไม่มีอธิบายในคู่มือการใช้งาน อย่าพยายามถอดแยกเครื่อง โปรดสอบถามศูนย์บริการที่ได้รับการรับรองของ Makita และใช้อะไหล่ทดแทนของ Makita ในการซ่อมแซมเสมอ

สภาวะความผิดปกติ	สาเหตุที่เป็นไปได้ (การทำงานผิดปกติ)	การแก้ไข
มอเตอร์ไม่ทำงาน	ไม่มีแบตเตอรี่ติดตั้งอยู่	ติดตั้งแบตเตอรี่
	ปัญหาแบตเตอรี่ (ไฟต่ำ)	ชาร์จแบตเตอรี่ใหม่ หากการชาร์จแบตเตอรี่ใหม่ไม่ได้ผล ให้เปลี่ยนแบตเตอรี่
	ระบบขับเคลื่อนไม่ทำงานอย่างถูกต้อง	สอบถามศูนย์บริการที่ผ่านการรับรองจาก Makita ในท้องถิ่นให้ทำการซ่อมแซมให้
มอเตอร์หยุดทำงานหลังจากใช้งานไปได้เล็กน้อย	ระดับการชาร์จของแบตเตอรี่ต่ำ	ชาร์จแบตเตอรี่ใหม่ หากการชาร์จแบตเตอรี่ใหม่ไม่ได้ผล ให้เปลี่ยนแบตเตอรี่
	ความร้อนสูงเกิน	หยุดใช้เครื่องเพื่อให้เครื่องเย็นลง
เครื่องไม่ทำงานถึงความเร็วสูงสุด	แบตเตอรี่ติดตั้งอย่างไม่ถูกต้อง	ติดตั้งแบตเตอรี่ตามที่อธิบายในคู่มือการใช้งานนี้
	กำลังของแบตเตอรี่ต่ำลง	ชาร์จแบตเตอรี่ใหม่ หากการชาร์จแบตเตอรี่ใหม่ไม่ได้ผล ให้เปลี่ยนแบตเตอรี่
	ระบบขับเคลื่อนไม่ทำงานอย่างถูกต้อง	สอบถามศูนย์บริการที่ผ่านการรับรองจาก Makita ในท้องถิ่นให้ทำการซ่อมแซมให้
การสั่นสะเทือนผิดปกติ ⇒ หยุดเครื่องมือทันที!	ระบบขับเคลื่อนไม่ทำงานอย่างถูกต้อง	สอบถามศูนย์บริการที่ผ่านการรับรองจาก Makita ในท้องถิ่นให้ทำการซ่อมแซมให้
มอเตอร์ไม่สามารถหยุด ⇒ ถอดแบตเตอรี่ทันที!	ชิ้นส่วนไฟฟ้าหรืออิเล็กทรอนิกส์ทำงานผิดปกติ	ถอดแบตเตอรี่และสอบถามศูนย์บริการที่ผ่านการรับรองจาก Makita ในท้องถิ่นให้ทำการซ่อมแซมให้

อุปกรณ์เสริม

⚠️ ข้อควรระวัง: อุปกรณ์เสริมหรืออุปกรณ์ต่อพ่วงเหล่านี้ได้รับการแนะนำสำหรับใช้งานกับผลิตภัณฑ์ Makita ของคุณที่ระบุไว้ในคู่มือนี้ การใช้อุปกรณ์เสริมหรืออุปกรณ์ต่อพ่วงอื่นๆ อาจทำให้ได้รับบาดเจ็บได้ ใช้อุปกรณ์เสริมหรืออุปกรณ์ต่อพ่วงตามวัตถุประสงค์ที่ระบุไว้เท่านั้น

หากต้องการทราบรายละเอียดเพิ่มเติมเกี่ยวกับอุปกรณ์เสริมเหล่านี้ โปรดสอบถามศูนย์บริการ Makita ใกล้บ้านคุณ

- ท่ออะแดปเตอร์
- หัวเป่าเสริม
- หัวเป่าแบบแบน
- ชุดหัวฉีดรางน้ำ

- ชุดสายสะพาย
- แบตเตอรี่และเครื่องชาร์จ Makita ของแท้

หมายเหตุ: อุปกรณ์บางชิ้นในรายการอาจมีมาให้ในชุดผลิตภัณฑ์เป็นอุปกรณ์มาตรฐาน ซึ่งอาจแตกต่างกันไปในแต่ละประเทศ

Makita Corporation
3-11-8, Sumiyoshi-cho,
Anjo, Aichi 446-8502 Japan
www.makita.com

885801-372
EN, ZHCN, ID, MS,
VI, TH
20200902