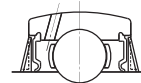
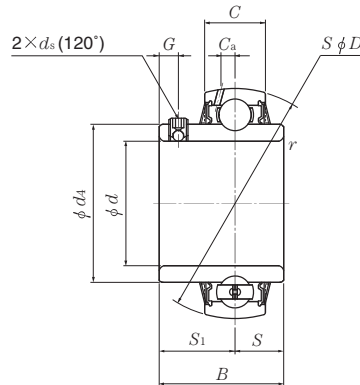
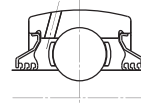


Ball bearings Set screw type



Standard: Seal + Slinger

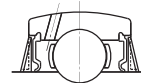
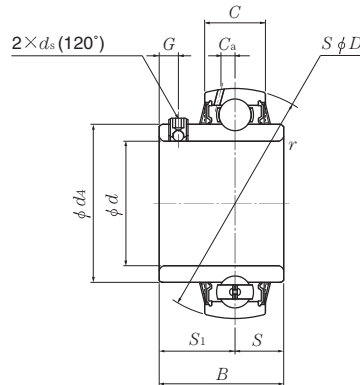
Triple Sealed
UCxxD1LLJ
Example : UC205D1LLJ

Shaft dia. mm inch	Bearing number	Nominal dimensions										
		<i>d</i>	<i>D</i>	<i>B</i>	<i>C</i>	<i>r_s</i> mm min.	<i>S</i>	inch <i>S₁</i>	<i>G</i>	<i>ds</i>	<i>d₄</i>	<i>C_a</i>
12 1/2	UC201D1	12	47	31	17	0.6	12.7	18.3	4.5	M5×0.8	29.6	3.8
	UC201-008D1	0.5000	1.8504	1.2205	0.6693	0.024	0.500	0.720	0.177	No.10-32UNF	1.1654	0.150
15 9/16 5/8	UC202D1	15	47	31	17	0.6	12.7	18.3	4.5	M5×0.8	29.6	3.8
	UC202-009D1	0.5625	1.8504	1.2205	0.6693	0.024	0.500	0.720	0.177	No.10-32UNF	1.1654	0.150
	UC202-010D1	0.6250										
17 11/16	UC203D1	17	47	31	17	0.6	12.7	18.3	4.5	M5×0.8	29.6	3.8
	UC203-011D1	0.6875	1.8504	1.2205	0.6693	0.024	0.500	0.720	0.177	No.10-32UNF	1.1654	0.150
20 3/4	UC204D1	20	47	31	17	1	12.7	18.3	4.5	M5×0.8	29.6	3.8
	UC204-012D1	0.7500	1.8504	1.2205	0.6693	0.039	0.500	0.720	0.177	No.10-32UNF	1.1654	0.150
25 13/16 7/8 15/16 1	UC205D1	25	52	34.1	17	1	14.3	19.8	5	M5×0.8	33.9	4
	UC205-013D1	0.8125	2.0472	1.3425	0.6693	0.039	0.563	0.780	0.197	No.10-32UNF	1.3346	0.157
	UC205-014D1	0.8750										
	UC205-015D1	0.9375										
UC205-100D1	1.0000											
30 1 1/16 1 1/8 1 3/16 1 1/4	UC206D1	30	62	38.1	19	1	15.9	22.2	5	M6×0.75	40.8	4.9
	UC206-101D1	1.0625	2.4409	1.5000	0.7480	0.039	0.626	0.874	0.197	1/4-28UNF	1.6063	0.193
	UC206-102D1	1.1250										
	UC206-103D1	1.1875										
UC206-104D1	1.2500											
35 1 1/4 1 5/16 1 3/8 1 7/16	UC207D1	35	72	42.9	20	1.5	17.5	25.4	6	M6×0.75	46.8	5.4
	UC207-104D1	1.2500	2.8346	1.6890	0.7874	0.059	0.689	1.000	0.236	1/4-28UNF	1.8425	0.213
	UC207-105D1	1.3125										
	UC207-106D1	1.3750										
UC207-107D1	1.4375											
40 1 1/2 1 9/16	UC208D1	40	80	49.2	21	1.5	19	30.2	8	M8×1	53	6
	UC208-108D1	1.5000	3.1496	1.9370	0.8268	0.059	0.748	1.189	0.315	5/16-24UNF	2.0866	0.236
UC208-109D1	1.5625											
45 1 5/8 1 11/16 1 3/4	UC209D1	45	85	49.2	22	1.5	19	30.2	8	M8×1	57.5	6.1
	UC209-110D1	1.6250	3.3465	1.9370	0.8661	0.059	0.748	1.189	0.315	5/16-24UNF	2.2638	0.240
	UC209-111D1	1.6875										
	UC209-112D1	1.7500										

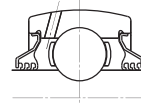
Remarks: 1) For inch series bearings, the f_0 factor for calculating equivalent radial load is the same as the metric series.

Basic load ratings		Factor ¹⁾	Mass (approx.)
N dynamic C_i	lbf static C_{or}	f_0	kg lb
12 800	6 650	13.2	0.21
2 890	1 500		0.46
12 800	6 650	13.2	0.20
2 890	1 500		0.44 0.42
12 800	6 650	13.2	0.18
2 890	1 500		0.39
12 800	6 650	13.2	0.17
2 890	1 500		0.39
14 000	7 850	13.9	0.20
			0.53
3 150	1 770		0.51
			0.46 0.44
19 500	11 300	13.8	0.32
			0.82
4 400	2 540		0.77
			0.73 0.66
25 700	15 300	13.8	0.46
			1.21
5 750	3 450		1.15
			1.08 1.01
29 100	17 800	14.0	0.64
6 550	4 000		1.52
			1.46
32 500	20 400	14.1	0.68
			1.76
7 350	4 600		1.68
			1.57

Ball bearings Set screw type



Standard: Seal + Slinger

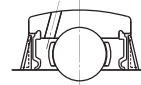
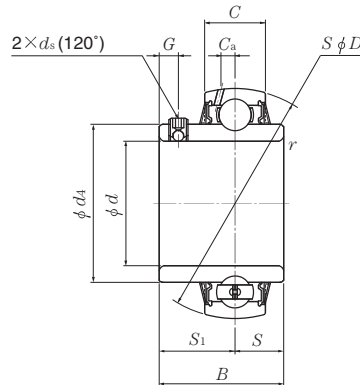
Triple Sealed
UCxxD1LLJ
Example : UC205D1LLJ

Shaft dia. mm inch	Bearing number	Nominal dimensions										
		<i>d</i>	<i>D</i>	<i>B</i>	<i>C</i>	<i>r_s</i> mm min.	<i>S</i>	inch <i>S₁</i>	<i>G</i>	<i>ds</i>	<i>d₄</i>	<i>C_a</i>
50	UC210D1	50	90	51.6	24	1.5	19	32.6	9	M8×1	62.4	6.1
$1\frac{13}{16}$	UC210-113D1	1.8125										
$1\frac{7}{8}$	UC210-114D1	1.8750										
$1\frac{15}{16}$	UC210-115D1	1.9375	3.5433	2.0315	0.9449	0.059	0.748	1.283	0.354	$\frac{5}{16}$ -24UNF	2.4567	0.240
2	UC210-200D1	2.0000										
55	UC211D1	55	100	55.6	25	2	22.2	33.4	9	M8×1	69	6.5
2	UC211-200D1	2.0000										
$2\frac{1}{16}$	UC211-201D1	2.0625										
$2\frac{1}{8}$	UC211-202D1	2.1250	3.9370	2.1890	0.9843	0.079	0.874	1.315	0.354	$\frac{5}{16}$ -24UNF	2.7165	0.256
$2\frac{3}{16}$	UC211-203D1	2.1875										
60	UC212D1	60	110	65.1	27	2	25.4	39.7	10	M10×1.25	77	7.3
$2\frac{1}{4}$	UC212-204D1	2.2500										
$2\frac{5}{16}$	UC212-205D1	2.3125										
$2\frac{3}{8}$	UC212-206D1	2.3750	4.3307	2.5630	1.0630	0.079	1.000	1.563	0.394	$\frac{3}{8}$ -24UNF	3.0315	0.287
$2\frac{7}{16}$	UC212-207D1	2.4375										
65	UC213D1	65	120	65.1	32	2	25.4	39.7	10	M10×1.25	82.5	7.3
$2\frac{1}{2}$	UC213-208D1	2.5000										
$2\frac{9}{16}$	UC213-209D1	2.5625	4.7244	2.5630	1.2598	0.079	1.000	1.563	0.394	$\frac{3}{8}$ -24UNF	3.2480	0.287
70	UC214D1	70	125	74.6	33	2	30.2	44.4	12	M10×1.25	87	7.7
$2\frac{5}{8}$	UC214-210D1	2.6250										
$2\frac{11}{16}$	UC214-211D1	2.6875	4.9213	2.9370	1.2992	0.079	1.189	1.748	0.472	$\frac{3}{8}$ -24UNF	3.4252	0.303
$2\frac{3}{4}$	UC214-212D1	2.7500										
75	UC215D1	75	130	77.8	34	2	33.3	44.5	12	M10×1.25	93	8
$2\frac{13}{16}$	UC215-213D1	2.8125										
$2\frac{7}{8}$	UC215-214D1	2.8750										
$2\frac{15}{16}$	UC215-215D1	2.9375	5.1181	3.0630	1.3386	0.079	1.311	1.752	0.472	$\frac{3}{8}$ -24UNF	3.6614	0.315
3	UC215-300D1	3.0000										
80	UC216D1	80	140	82.6	35	2.5	33.3	49.3	12	M10×1.25	98.1	8
$3\frac{1}{16}$	UC216-301D1	3.0625										
$3\frac{3}{8}$	UC216-302D1	3.1250	5.5118	3.2520	1.3780	0.098	1.311	1.941	0.472	$\frac{3}{8}$ -24UNF	3.8622	0.315
$3\frac{3}{16}$	UC216-303D1	3.1875										

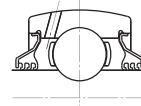
Remarks: 1) For inch series bearings, the f_0 factor for calculating equivalent radial load is the same as the metric series.

Basic load ratings		Factor ¹⁾	Mass (approx.)	
N dynamic C_i	lbf static C_{or}	f_0	kg lb	
35 000	23 200	14.4	0.78 2.03	
7 900	5 200		1.92 1.81 1.69	
43 500	29 200		14.3	1.04 2.71
9 750	6 550	2.60 2.46 2.34		
52 500	36 000	14.3		1.46 3.66
11 800	8 150		3.50 3.33 3.17	
57 500	40 000		14.4	1.86 4.26 4.09
12 900	9 000	14.5		2.10 5.09
62 000	44 000			4.87 4.65
66 000	49 500		14.7	2.34 5.73
14 900	11 100	5.49 5.25 4.98		
72 500	53 000	14.6		2.78 6.57
16 300	11 900		6.28 6.00	

Ball bearings Set screw type



Standard: Seal + Slinger



Triple Sealed
UCxxD1LLJ
Example : UC205D1LLJ

Shaft dia.	Bearing number	Nominal dimensions										
		<i>d</i>	<i>D</i>	<i>B</i>	<i>C</i>	<i>r_s</i> mm min.	<i>S</i>	inch <i>S₁</i>	<i>G</i>	<i>ds</i>	<i>d₄</i>	<i>C_a</i>
85	UC217D1	85	150	85.7	36	2.5	34.1	51.6	12	M12×1.5	106.4	7.9
3¼	UC217-304D1	3.2500										
3⅝	UC217-305D1	3.3125	5.9055	3.3740	1.4173	0.098	1.343	2.031	0.472	½-20UNF	4.1890	0.311
3⅞	UC217-307D1	3.4375										
90	UC218D1	90	160	96	37	2.5	39.7	56.3	12	M12×1.5	111.6	8.7
3½	UC218-308D1	3.5000	6.2992	3.7795	1.4570	0.098	1.563	2.217	0.472	½-20UNF	4.3937	0.343

Remarks: 1) For inch series bearings, the f_0 factor for calculating equivalent radial load is the same as the metric series.

Basic load ratings		Factor ¹⁾	Mass (approx.)
C_i	C_{or}	f_0	kg lb
N dynamic	lbf static		
83 500	64 000	14.7	3.54
			7.92
18 700	14 300		7.60
			6.97
96 000	71 500	14.5	4.40
21 600	16 100		9.88