

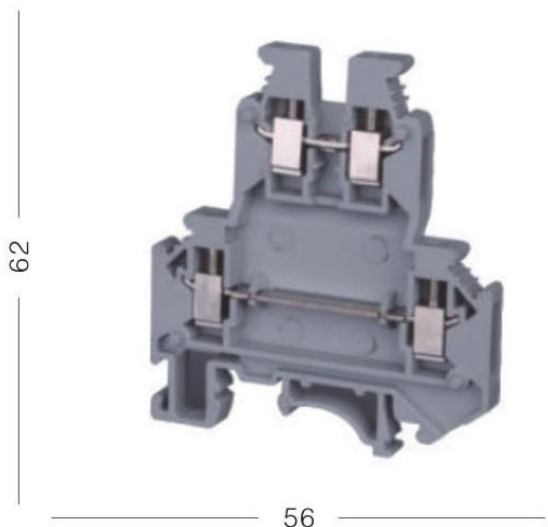
FEED – THROUGH TERMINAL BLOCK

UKK series

Plastic material: PA
 Metal material: Brass
 Color: Grey

厚度 thickness:5.2

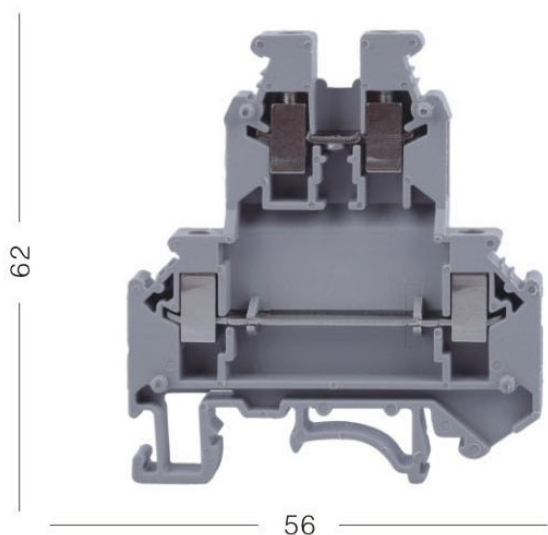
UKK3



| | | |
|---|------------------------------|--------------|
| M3 | "...5" | 8mm |
| 刚性导线solid wire(mm ²) 0.2-4 | 柔性导线stranded wire 0.2-2.5 | |
| IEC 60947-7-1 | ┌型、┐型 | |
| 电流current:32A | 电压voltage:500V | |
| D-UKK 3/5N | | (D-UKK 3/5N) |
| DG-UKK3/5 | | (DG-UKK3/5) |
| DP-UKK3/5 | | (DP-UKK3/5) |
| FB1 10-5 | | (FB1 10-6) |
| ISSBI10-5 | | (ISSBI10-6) |
| | | EBL 10-5 |

厚度 thickness:6.2

UKK5



| | | |
|---|----------------------------|-----------------|
| M3 | "...6" | 8mm |
| 刚性导线solid wire(mm ²) 0.2-4 | 柔性导线stranded wire 0.2-4 | |
| IEC 60947-7-1 | ┌型、┐型 | |
| 电流current:32A | 电压voltage:500V | |
| D-UKK 3/5 | | (D-UKK 3/5) |
| DG-UKK3/5 | | (DG-UKK3/5) |
| DP-UKK3/5 | | (DP-UKK3/5) |
| FB1 10-6 | | (FB1 10-6) |
| ISSBI10-6 | | (ISSBI10-6) |
| | | EB 2-6/3-6/10-6 |

Terminals



Fixed bridge



Separating Cover



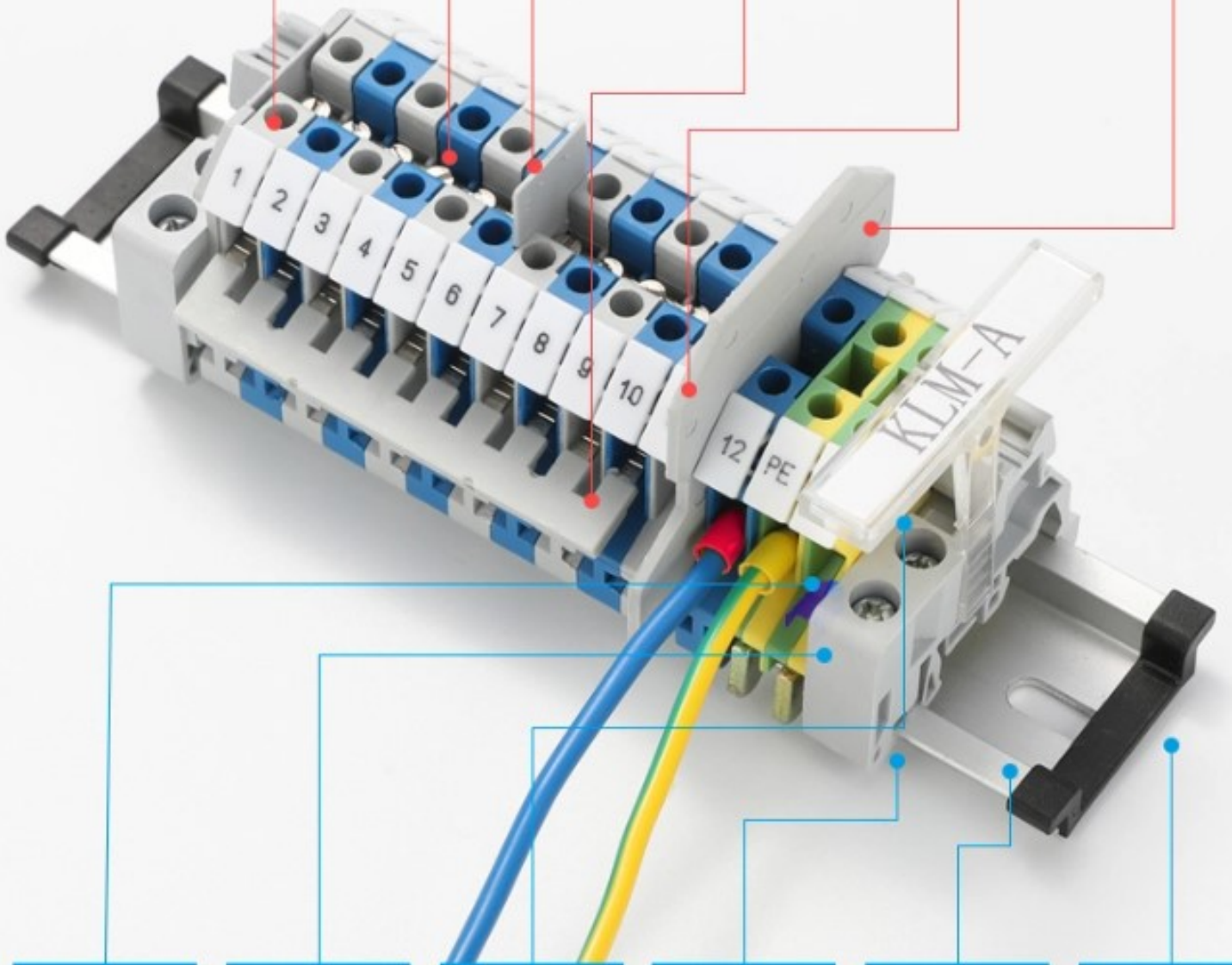
Insertion Bridge



Marker Strips



End Cover



Ferrule Terminals



Ground Terminals



Marker Carrier



End Clamp



Din Rail



Rail Protective

