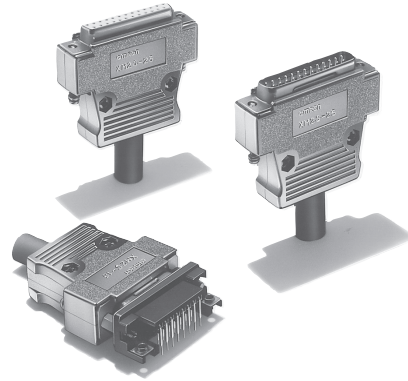


D-sub Connectors Are Ideal for Office Automation Interfacing.

- Fitted in a rugged, compact metal shell.
- Many kinds of standard Anchors and grounding fixtures available.



■ Terminology

● Shielded connector

Connector having a structure that can be grounded.

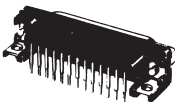
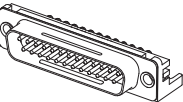
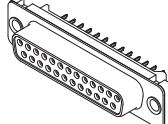
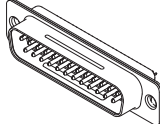
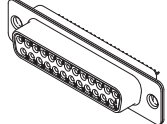
● Beating

A processing technique that ensures the contact amongst the shells by beating a part of the shell.

● Shell

Refers to the case covering the connector. Here, the shell refers to the metal parts attached to the mating end.

■ Connectors

Model	XM3B			
Appearance	 <p>Sockets with right-angle DIP terminals</p>			
Reference page	3 to 4			
Model	XM3C	XM3F	XM3A	XM3D
Appearance	 <p>Plugs with right-angle DIP terminals</p>	 <p>Sockets with straight DIP terminals</p>	 <p>Plugs with solder-cup terminals</p>	 <p>Sockets with solder-cup terminals</p>
Reference page	5 to 6	7	8	

■ Ratings and Characteristics

Item	Model	XM3A XM3B XM3B-F All XM3C models except for those with 37 pins XM3D XM3F	XM3C models with 37 pins
Rated current		5 A	3 A
Rated voltage		300 VAC	
Contact resistance		15 mΩ max. (at 20 mVDC, 100 mA max.)	
Insulation resistance		1,000 MΩ min. (at 500 V DC)	
Dielectric strength		1,000 VAC for 1 min (leakage current: 1 mA max.)	
Insertion durability		200 times	
Ambient operating temperature		-55 to 105°C (with no condensation or icing)	

■ Materials and Finish

Item	Model	XM3B	XM3B-F	XM3C	XM3F	XM3A	XM3D
Housing		PBT (UL94 V-0)/black				PBT (UL94 V-0)/Milky white	
Contacts	Mating end	Phosphor bronze/nickel base, gold plated				Bronze/nickel base, gold plated	Phosphor bronze/nickel base, gold plated
	Terminals	Phosphor bronze/nickel base, tin plated		Phosphor bronze/nickel base, tin plated		Bronze/nickel base, tin plated	Phosphor bronze/nickel base, tin plated
Shell		Steel/nickel plated					

■ Applicable Wires

The applicable wires for solder cup terminals are AWG 22 to 28 (solid or stranded).

XM3B Sockets with Right-angle DIP Terminals

Model Number Legend

XM3B-□□22-□□□□
 1 2 3 4

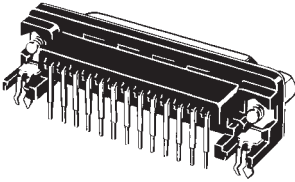
- | | | | |
|--|---|---|--|
| <p>1. Number of contacts
 09: 9 contacts
 15: 15 contacts
 25: 25 contacts
 37: 37 contacts</p> | <p>2. Anchor specifications
 1: With Anchor 2
 5: No anchors</p> | <p>3. Anchor screw specifications
 1: M2.6 × 0.45 metric screws
 3: #4-40 UNC inch screws
 0: No anchors</p> | <p>4. Grounding Fixture
 1: Tap Hole Grounding Fixture
 2: Lock Pin Grounding Fixture
 Note: Anchors and Grounding Fixtures are not supplied if 2, 3, and 4 are blank.</p> |
|--|---|---|--|

Dimensions

(unit: mm)

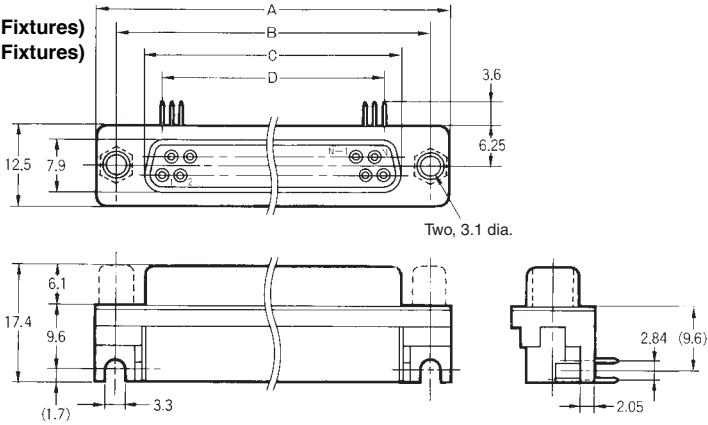
- XM3B-□□22 (No anchors, no grounding fixtures)
- XM3B-□□22-501 (No anchors, Tap Hole Grounding Fixtures)
- XM3B-□□22-111 (With Anchor 2 (See note 1.), Tap Hole Grounding Fixtures)
- XM3B-□□22-131 (With Anchor 2 (See note 2.), Tap Hole Grounding Fixtures)
- XM3B-□□22-502 (No anchors, Lock Pin Grounding Fixtures)
- XM3B-□□22-112 (With Anchor 2 (See note 1.), Lock Pin Grounding Fixtures)
- XM3B-□□22-132 (With Anchor 2 (See note 2.), Lock Pin Grounding Fixtures)

Note: 1. Metric screws (M2.6 × 0.45)
 2. Inch screws (#4-40 UNC)

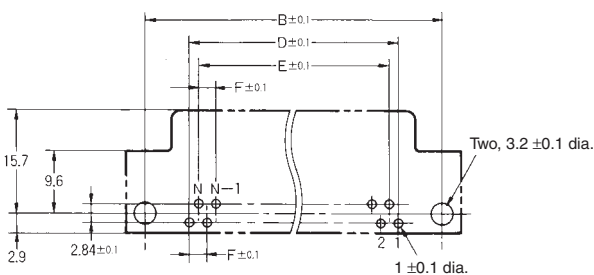


25-contact model shown above.
 (With anchor 2, Lock Pin, Grounding Fixtures)

Note: XM3B Sockets were manufactured in accordance with JIS X 5101. Terminal pitches are a mixed arrangement of 2.77- and 2.74-mm contacts on 25- and 37-contact models as specified in the JIS standard. A pitch of 2.76 mm is recommended for the mounting holes because of the more advanced numerical control available today. This is sufficient to avoid any problems.



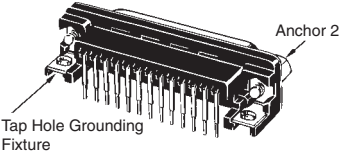
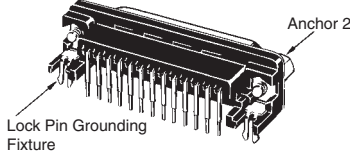
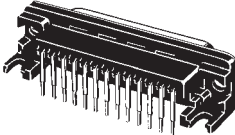
Mounting holes (t = 1.6 mm, bottom view)


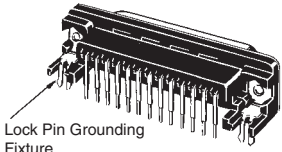


Dimensions

No. of contacts	Dimensions (mm)					
	A	B	C	D	E	F
9	30.8	24.99	16.30	10.96	8.22	2.74
15	39.1	33.32	24.65	19.18	16.44	2.74
25	53.0	47.04	38.35	33.12	30.36	2.76
37	69.3	63.50	54.80	49.68	46.92	2.76

Ordering Information

	Anchor 2 and Tap Hole Grounding Fixtures	Anchor 2 and Lock Pin Grounding Fixtures	No anchors or grounding fixtures (See note 1.)
Appearance			
Accessories	XM2Z-0011 Anchor 2 (M2.6 × 0.45 metric screws)		---
No. of contacts	XM2Z-0061 Tap Hole Grounding Fixtures	XM2Z-0062 Lock Pin Grounding Fixtures	---
9	XM3B-0922-111	XM3B-0922-112	XM3B-0922
15	XM3B-1522-111	XM3B-1522-112	XM3B-1522
25	XM3B-2522-111	XM3B-2522-112	XM3B-2522
37	XM3B-3722-111	XM3B-3722-112	XM3B-3722
Accessories	XM2Z-0013 Anchor 2 (#4-40 UNC inch screws)		
No. of contacts	XM2Z-0061 Tap Hole Grounding Fixtures	XM2Z-0062 Lock Pin Grounding Fixtures	
9	XM3B-0922-131	XM3B-0922-132	
15	XM3B-1522-131	XM3B-1522-132	
25	XM3B-2522-131	XM3B-2522-132	
37	XM3B-3722-131	XM3B-3722-132	

	No anchors, with Tap Hole Grounding Fixtures	No anchors, with Lock Pin Grounding Fixtures
Appearance		
Accessories	No anchors	
No. of contacts	XM2Z-0061 Tap Hole Grounding Fixtures	XM2Z-0062 Lock Pin Grounding Fixtures
9	XM3B-0922-501	XM3B-0922-502
15	XM3B-1522-501	XM3B-1522-502
25	XM3B-2522-501	XM3B-2522-502
37	XM3B-3722-501	XM3B-3722-502

- Note:**
1. Use the XM3B-□□22 (No anchors or grounding fixtures) in combination with suitable Anchors and Grounding Fixtures.
 2. Two M3 × 0.5 Tap Hole Grounding Fixtures and an M3 × 0.5 Lock Pin Grounding Fixture for the Anchor side are provided.
 3. For other models with Anchors or Grounding Fixtures, contact your OMRON representative. For accessories, refer to *Accessories (Sold Separately)* in the XM2/XM3 datasheet.

XM3C Plugs with Right-angle DIP Terminals

Model Number Legend

XM3C- 22-
1 2 3 4

1. Number of contacts

- 09: 9 contacts
- 15: 15 contacts
- 25: 25 contacts
- 37: 37 contacts

2. Anchor specifications

- 1: With Anchor 2
- 5: No anchors

3. Anchor screw specifications

- 1: M2.6 × 0.45 metric screws
- 3: Inch screws
- 0: No anchors

4. Grounding Fixture

- 1: Tap Hole Grounding Fixture
- 2: Lock Pin Grounding Fixture

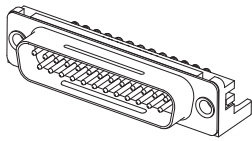
Note: Anchors and Grounding Fixtures are not supplied if 2, 3, and 4 are blank.

Dimensions

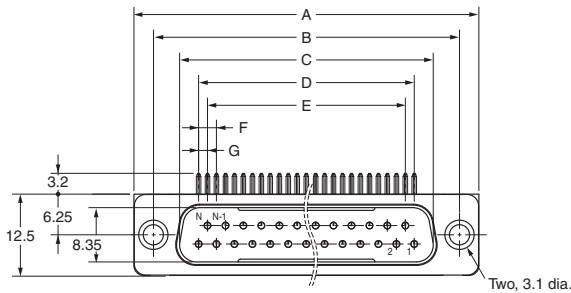
(unit: mm)

DIP Terminals

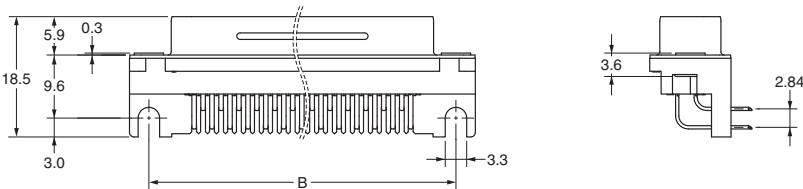
- XM3C- 22 (No Anchors or Grounding Fixtures)
- XM3C- 22-501 (No Anchors, with Tap Hole Grounding Fixtures)
- XM3C- 22-502 (No Anchors, with Lock Pin Grounding Fixtures)
- XM3C- 22-111 (With Anchor 2 and Tap Hole Grounding Fixtures)
- XM3C- 22-112 (With Anchor 2 and Lock Pin Grounding Fixtures)



25-contact model shown above.
(No Anchor or Grounding Fixtures)

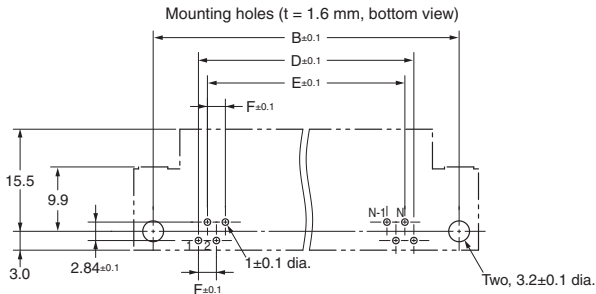


Note: XM3C Terminals were manufactured in accordance with JIS X 5101. Terminal pitches are a mixed arrangement of 2.77- and 2.74-mm contacts on 25- and 37-contact models as specified in the JIS standard. A pitch of 2.76 mm is recommended for the mounting holes because of the more advanced numerical control available today. This is sufficient to avoid any problems.

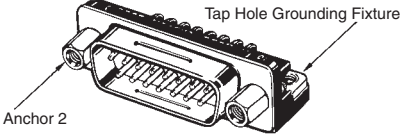
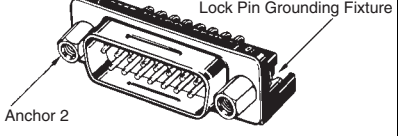
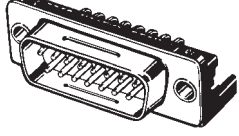


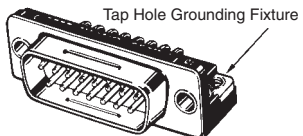

Dimensions

No. of contacts	A	B	C	D	E	F	G
9	30.8	24.99	16.91	10.96	8.22	2.74	1.37
15	39.1	33.32	25.25	19.18	16.44	2.74	1.37
25	53.0	47.04	38.96	33.12	30.36	2.76	1.38
37	69.3	63.50	55.42	49.68	46.92	2.76	1.38



■ Ordering Information

	Anchor 2 and Tap Hole Grounding Fixtures	Anchor 2 and Lock Pin Grounding Fixtures	No anchors or Grounding Fixtures
Appearance			
Accessories	XM2Z-0011 Anchor 2 (M2.6 × 0.45 metric screws)		---
No. of contacts	Tap Hole Grounding Fixtures	Lock Pin Grounding Fixtures	---
9	XM3C-0922-111	XM3C-0922-112	XM3C-0922
15	XM3C-1522-111	XM3C-1522-112	XM3C-1522
25	XM3C-2522-111	XM3C-2522-112	XM3C-2522
37	XM3C-3722-111	XM3C-3722-112	XM3C-3722

	No anchors, with Tap Hole Grounding Fixtures	No anchors, with Lock Pin Grounding Fixtures
Appearance		
Accessories	No anchors	
No. of contacts	Tap Hole Grounding Fixtures	Lock Pin Grounding Fixtures
9	XM3C-0922-501	XM3C-0922-502
15	XM3C-1522-501	XM3C-1522-502
25	XM3C-2522-501	XM3C-2522-502
37	XM3C-3722-501	XM3C-3722-502

Note: The XM3C-□□22-111/-112 with Anchor 2 (M2.6 × 0.45) and Grounding Fixtures as well as the XM3C-□□22-501/-502 with Grounding Fixtures and no Anchor are available as standard models. Two M3 × 0.5 Tap Hole Grounding Fixtures and an M3 × 0.5 Lock Pin Grounding Fixture for the ANCHOR side are provided.
 Contact your OMRON representative for other anchor and grounding fixture specifications. See Accessories (Sold Separately) of XM2/ XM3 for details on accessories.
 Tap Hole Grounding Fixtures and Lock Pin Grounding Fixtures are not sold separately.

XM3F Sockets with Straight DIP Terminals

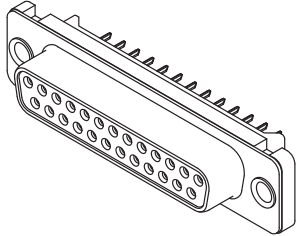
■ Dimensions

(unit: mm)

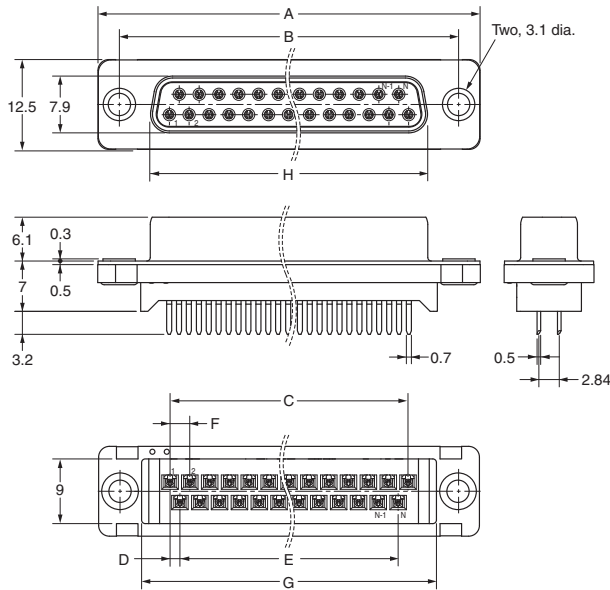
Straight DIP Terminals

XM3F-□□20

(No Anchor or Grounding Fixtures)

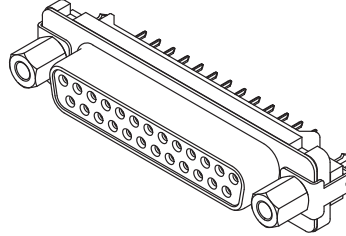


25-contact model shown on the left.
(No anchors or grounding fixtures)

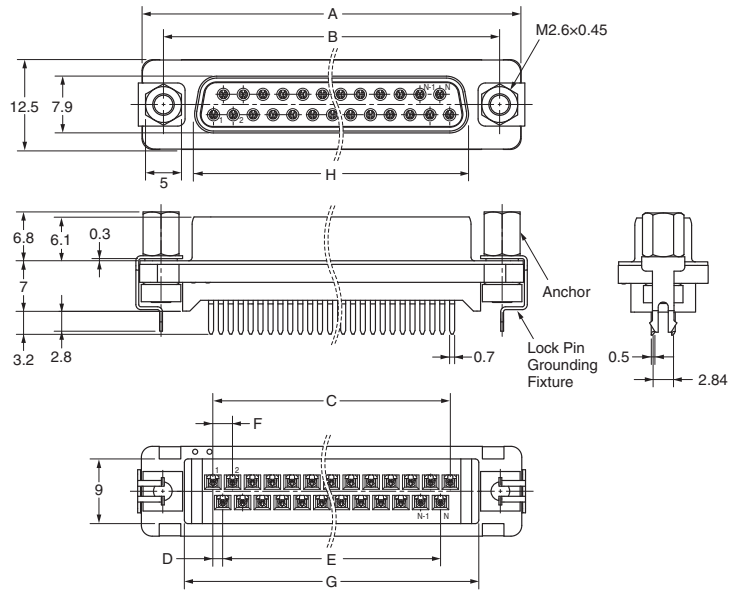


XM3F-□□20-112

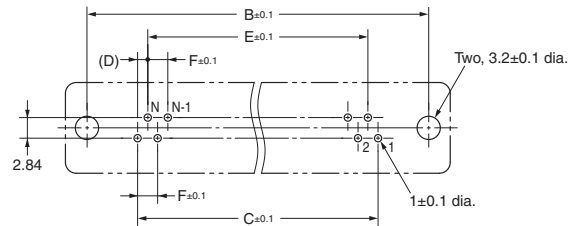
(With Anchor and Lock Pin Grounding Fixtures)



25-contact model shown on the left.
(With Anchors and Grounding Fixtures)



Mounting holes (t = 1.6 mm, bottom view)



Dimensions

No. of contacts	A	B	C	D	E	F	G	H
9	30.7	24.99	10.98	1.37	8.22	2.74	19.00	16.33
15	39.0	33.32	19.20	1.37	16.44	2.74	27.12	24.66
25	52.9	47.04	33.12	1.38	30.36	2.76	41.04	38.38
37	69.2	63.50	49.68	1.38	46.92	2.76	57.60	54.84

■ Ordering Information

Appearance	No anchors or Grounding Fixtures	Anchors and Lock Pin Grounding Fixtures
No. of contacts		
9	XM3F-0920	XM3F-0920-112
15	XM3F-1520	XM3F-1520-112
25	XM3F-2520	XM3F-2520-112
37	XM3F-3720	XM3F-3720-112

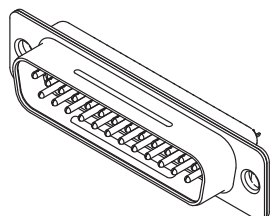
XM3A Plugs with Solder-cup Terminals

XM3D Sockets with Solder-cup Terminals

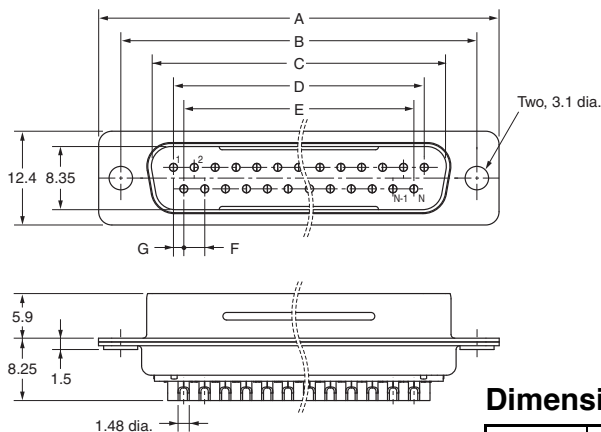
■ Dimensions

(unit: mm)

XM3A-□□21 Plugs/Solder-cup Terminals



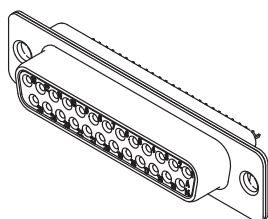
Note: 25-contact model shown above.



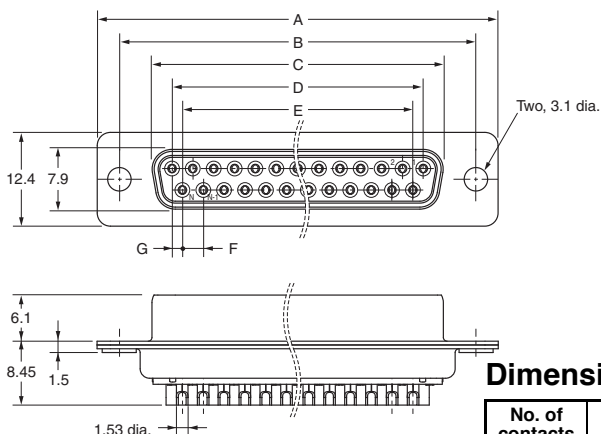
Dimensions (XM3A)

No. of contacts	A	B	C	D	E	F	G
9	30.7	24.99	16.91	10.96	8.22	2.74	1.37
15	39.0	33.32	25.25	19.18	16.44	2.74	1.37
25	52.9	47.04	38.96	33.12	30.36	2.76	1.38
37	69.2	63.50	55.42	49.68	46.92	2.76	1.38

XM3D-□□21 Sockets, Solder-cup Terminals



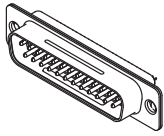
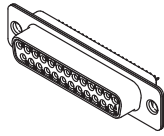
Note: 25-contact model shown above.



Dimensions (XM3D)

No. of contacts	A	B	C	D	E	F	G
9	30.7	24.99	16.33	10.96	8.22	2.74	1.37
15	39.0	33.32	24.66	19.18	16.44	2.74	1.37
25	52.9	47.04	38.38	33.12	30.36	2.76	1.38
37	69.2	63.50	54.84	49.68	46.92	2.76	1.38

■ Ordering Information

Appearance	Plugs	Sockets
		
No. of contacts		
9	XM3A-0921	XM3D-0921
15	XM3A-1521	XM3D-1521
25	XM3A-2521	XM3D-2521
37	XM3A-3721	XM3D-3721

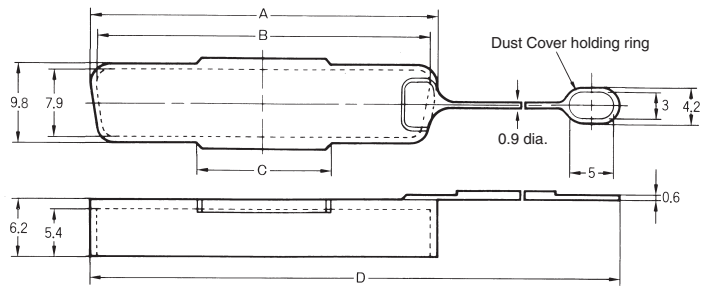
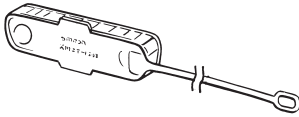
■ Accessories (Sold Separately)

(unit: mm)

Dust Covers For XM3B/D/F Sockets

With retaining ring

- XM2T-0901 (9 contacts)
- XM2T-1501 (15 contacts)
- XM2T-2501 (25 contacts)
- XM2T-3701 (37 contacts)



Ratings and Specifications

Operating temperature	- 25 to 85°C (with no condensation or icing)
Material	PA

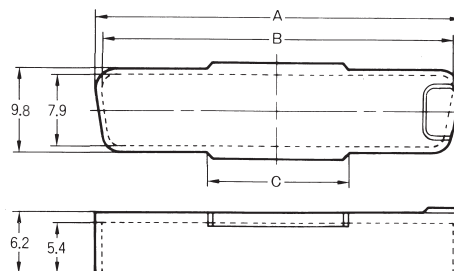
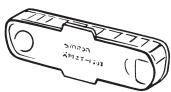
Dimensions

No. of contacts	Dimensions				Model
	A	B	C	D	
9	17.7	16.3	8	68	XM2T-0901
15	26.1	24.7	10	77	XM2T-1501
25	39.8	38.4	15	120	XM2T-2501
37	56.2	54.8	18	135	XM2T-3701

Dust Covers For XM3B/D/F Sockets

Without retaining ring

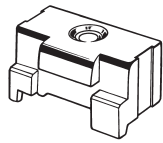
- XM2T-0901-0 (9 contacts)
- XM2T-1501-0 (15 contacts)
- XM2T-2501-0 (25 contacts)
- XM2T-3701-0 (37 contacts)



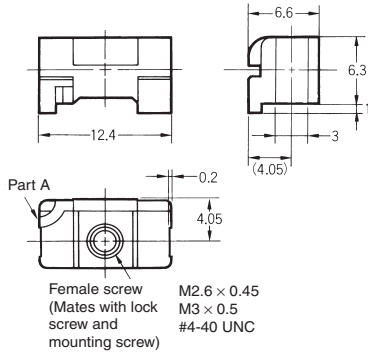
Dimensions

No. of contacts	Dimensions			Model
	A	B	C	
9	17.7	16.3	8	XM2T-0901-0
15	26.1	24.7	10	XM2T-1501-0
25	39.8	38.4	15	XM2T-2701-0
37	56.2	54.8	18	XM2T-3701-0

Anchor 1 (Rectangular)
XM2Z-0001
(M2.6 × 0.45 metric screws)
XM2Z-0002
(M3.0 × 0.5 metric screws)
XM2Z-0003
(#4-40 UNC inch screws)



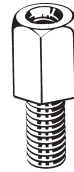
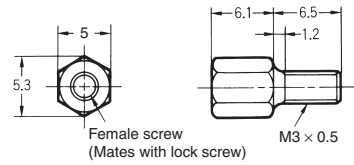
Materials and Finish
 Zinc die-cast/nickel plated



Note: If you use a Dust Cover with a holding ring, secure the holding ring at part A.

Model
XM2Z-0001
XM2Z-0002
XM2Z-0003

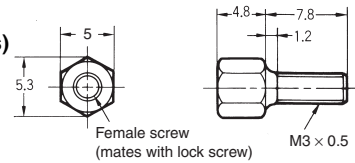
Anchor 2 (Hexagonal)
XM2Z-0011
(M2.6 × 0.45 metric screws)
XM2Z-0012
(M3.0 × 0.5 metric screws)
XM2Z-0013
(#4-40 UNC inch screws)



Materials and Finish
 Iron/nickel plated

Model
XM2Z-0011
XM2Z-0012
XM2Z-0013

Anchor 3 (Hexagonal)
XM2Z-0021
(M2.6 × 0.45 metric screws)
XM2Z-0022
(M3.0 × 0.5 metric screws)
XM2Z-0023
(#4-40 UNC inch screws)



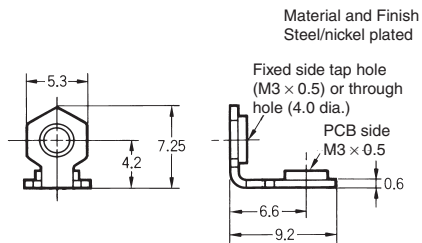
Materials and Finish
 Iron/nickel plated

Model
XM2Z-0021
XM2Z-0022
XM2Z-0023

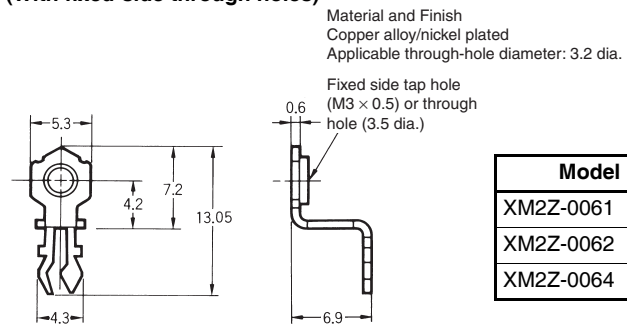
Note: Anchor 3 is used for panel mounting Connectors. Applicable panel thickness is 0.6 to 1.3 mm.

- Note:**
- 2 anchors are necessary per connector.
 - Attachment to the XM3K/L is not possible.

**Grounding Fixtures for XM3B
Tap Hole Grounding Fixtures
XM2Z-0061
(With fixed-side tap holes)**



**Lock Pin Grounding Fixtures (for XM3B)
XM2Z-0062
(With fixed-side tap holes)
XM2Z-0064
(With fixed-side through holes)**



Model
XM2Z-0061
XM2Z-0062
XM2Z-0064

Anchors and Grounding Fixtures

<p>Anchor 2 and 3</p> <p>Note: Use Grounding Fixtures XM2Z-0061 or XM2Z-0062.</p>	<p>Anchor 1</p> <p>Note: 1. Use a 6-mm screw that mates with the male screw on Anchor 1. 2. Use Grounding Fixtures XM2Z-0064.</p>	<p>Without Anchor</p> <p>Note: Always use a screw without an Anchor. A Grounding Fixture (fixed-side tap) can be used in place of the hexagonal nut.</p>
---	---	--

- Note:** 1. Anchor 2 and the following Grounding Fixtures are available: XM3B-□□22-11 and XM3B-□□22-112. Contact your OMRON representative for other anchor and grounding fixture specifications.
2. 2 anchors are necessary per connector.

■ Approval Standard

The approval rating values for overseas standards are different from the performance values determined individually. Confirm the values before use.

Model	Standard	File No.	Rating
XM3B-□□22-111	UL certified product (Recognized)	E103202	300 V, 5 A
XM3B-□□22-112	UL certified product (Recognized)	E103202	300 V, 5 A
XM3B-□□22	UL certified product (Recognized)	E103202	300 V, 5 A
XM3B-□□22-131	UL certified product (Recognized)	E103202	300 V, 5 A
XM3B-□□22-132	UL certified product (Recognized)	E103202	300 V, 5 A
XM3B-□□22-501	UL certified product (Recognized)	E103202	300 V, 5 A
XM3B-□□22-502	UL certified product (Recognized)	E103202	300 V, 5 A
XM3C-□□22-111	UL/C-UL certified product (Recognized)	E103202	300 VAC, 1.5 A
XM3C-□□22-112	UL/C-UL certified product (Recognized)	E103202	300 VAC, 1.5 A
XM3C-□□22	UL/C-UL certified product (Recognized)	E103202	300 VAC, 1.5 A
XM3C-□□22-501	UL/C-UL certified product (Recognized)	E103202	300 VAC, 1.5 A
XM3C-□□22-502	UL/C-UL certified product (Recognized)	E103202	300 VAC, 1.5 A
XM3F-□□20	UL/C-UL certified product (Recognized)	E103202	300 VAC, 1.5 A
XM3F-□□20-112	UL/C-UL certified product (Recognized)	E103202	300 VAC, 1.5 A
XM3A-□□21	UL/C-UL certified product (Recognized)	E103202	300 VAC, 1.5 A
XM3D-□□21	UL/C-UL certified product (Recognized)	E103202	300 VAC, 1.5 A
XM2T-□□01	Non Approved Models	---	---
XM2T-□□01-0	Non Approved Models	---	---
XM2Z-□□□□	Non Approved Models	---	---

Please check each region's Terms & Conditions by region website.

OMRON Corporation

Device & Module Solutions Company

Regional Contact

Americas

<https://components.omron.com/us>

Asia-Pacific

<https://components.omron.com/ap>

Korea

<https://components.omron.com/kr>

Europe

<https://components.omron.com/eu>

China

<https://components.omron.com.cn>

Japan

<https://components.omron.com/jp>