

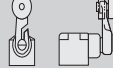
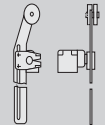

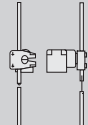
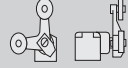
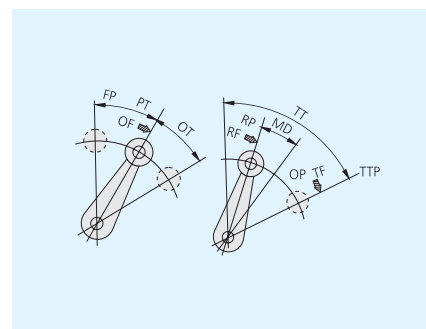
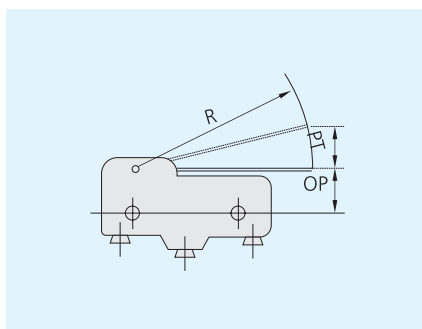
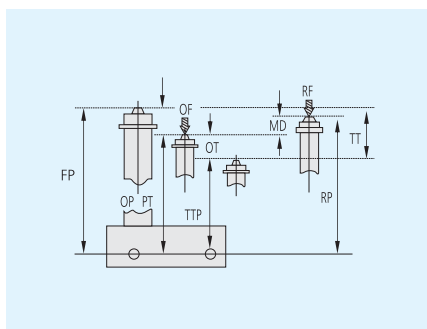


A glimpse of the category and code for domestic and foreign commonly utilized limit switch's actuating head

| Code | Actuating head type | Plunger type | Plunger type with roller | Rotating arm type with roller | Rotating arm with adjustable roller | Free-diversions type | Adjustable metal oscillating block type | Fork type (double roller) 21、22、21S、22S |
|---------------------|---------------------|---|---|---|---|---|---|---|
| Travel switch model | |  |  |  |  |  |  |  |
| YBLX-ME8000 | | 8111 | 8112、8122 | 8104 | 8108 | 8166、8169、8101 | 8107 | |
| YBLX-WL | | D、D1D、AD、SD、D1SD、ASD | AD2、01D2、WL-D2 | CA2、01CA2、ACA2 | CA12、ACA12、01CA12-2N | NJ、01NJ、ANJ | CL、ACL、HAL | CA32、01CA32、ACA32 |
| YBLX-WLF5 | | D | D2、D28 | H2 | H12 | NJ | HL | |
| YBLX-HI/5000 | | 5100 | 5200 | 5000 | 5030 | 5300A、5500 | 5050 | |
| YBLX-CK/S | | S101 | S102 | S131、S139 | S141 | | S159 | |
| YBLX-CK/M | | M110 | M102、M121 | M115 | | M106 | | |
| YBLX-CK/J | | J161 | J167 | J10511 | J10541 | | J10559 | |
| YBLX-CK/P | | P110 | P102、P121、P128、P127 | P118 | P145 | P106 | P155 | |
| YBLX-CK/T | | T110 | T102、T121 | T118 | | | | |
| YBLX-P1 | | B、C | D、E、F | G、H、J、K | N、U | R | P、Q、V、W | |
| YBLX-K3 | | 20S/Z、21S/Z | 20S/L、21S/L | 20S/B、21S/B | 20S/T、21S/T | 20S/W | 20S/J | 20S/H1、H2、H3 |
| YBLX-K1 | | 311、311M | 411、411M | 111、111M | | 511、511M | | 211、211M |
| YBLX-19 | | 001 | | 111、121、131 | | | | 212、222、232 |
| YBLX-2 | | | | 111、121、131 | | | | 212、222、232 |
| YBLX-4 | | | | 11、12、11S、12S | | 511 | | 21、22、21S、22S |
| YBLX-K2 | | 001、311 | 101、411 | M111、131 | | | | 211、222 |

Limit switch operating performances symbol and definitions

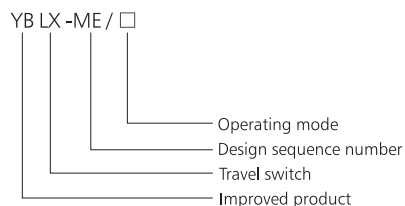
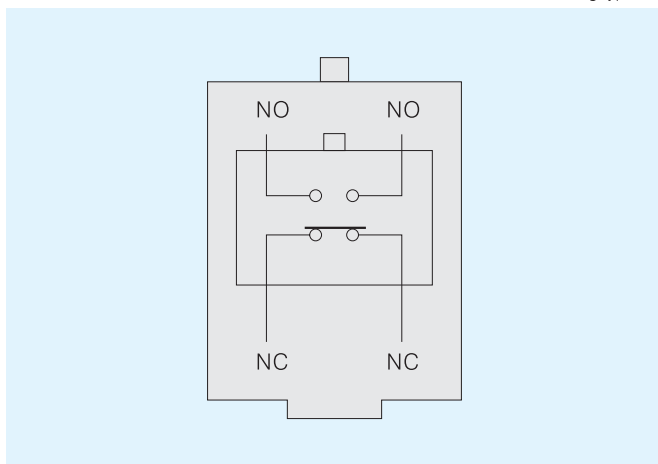
| Operating force (OF) | Force made on actuating head to activate switch contact |
|-----------------------------|--|
| Reset force (RF) | Force made on actuating head to make contact back to normal position |
| Travel force (TF) | Force made to make actuating head move from free position to the limit. |
| Free position (FP) | Actuating head's initial position without external force applied |
| Operating position (OP) | Actuating head's position when contact rapidly moves to action contacting position |
| Reset position (RP) | Actuating head's position when contact rapidly moves back to normal position from action contacting position |
| Total travel position (TTP) | Actuating head's position at threshold |
| Passage travel (PT) | Distance or angle passed by actuating head from free position to stop position |
| Over travel (OT) | Distance or angle passed by actuating head beyond the action position |
| Margin distance (MD) | Distance or angle from action position to reset position |
| Total travel (TT) | Total distance or total angle of actuating head's action travel |





YBLX-ME8000 Travel Switch

Contacting types



| | | |
|--|---|-----|
| Protection level | IP52 | |
| Operating frequency (operations / minute) | Mechanical | 120 |
| | Electric | 30 |
| Mechanical life(operations) | 60×10^4 | |
| Electrical life(operations) | 30×10^4 | |
| Insulation resistance | $\geq 5M \Omega$ (DC500V) | |
| Contact resistance | $\leq 200m \Omega$ (initial value) | |
| Environmental temperature | $-15^{\circ}C \sim +60^{\circ}C$ | |
| Relative humidity | $\leq 95\%$ | |
| Voltage withstand | Between terminals of the same polarity (1140V) | |
| | Between electrified components and earth (2500V) | |
| | Between terminals and un-electrified metal components (2500V) | |
| Rated voltage(V) | AC 380V DC220V | |
| Rated current | AC0.8A DC0.16A | |

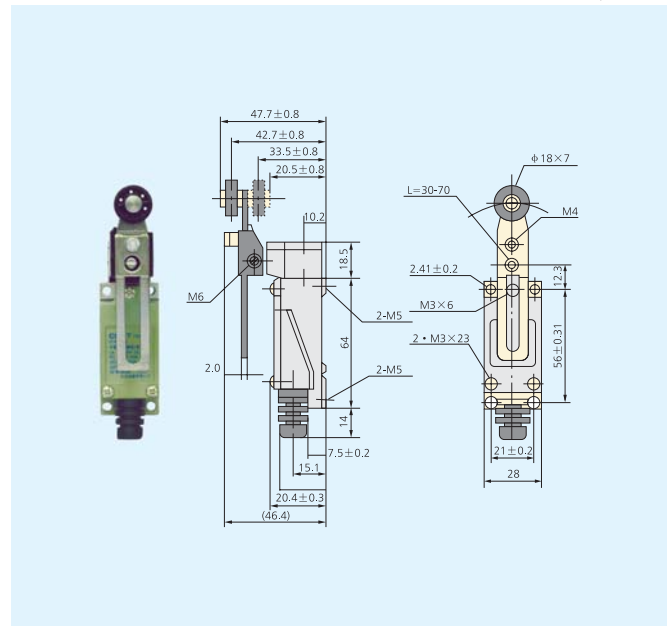
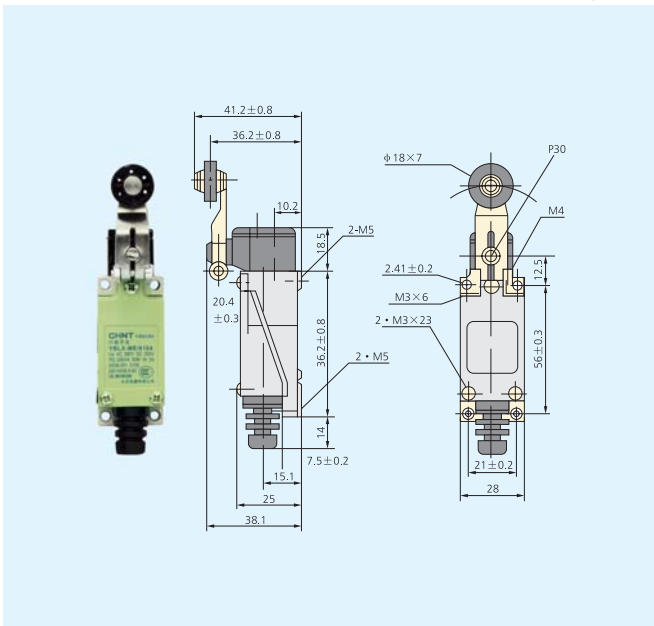
| Model (Recommended) | Operating mode | Substituted model (production stopped) | | |
|------------------------|---|---|--------------|--|
| YBLX-ME/8104 | Rotating arm with roller | YBLX-AZ/8104 | YBLX-TZ/8104 | |
| YBLX-ME/8107 | Adjustable rotating lever | YBLX-AZ/8107 | YBLX-TZ/8107 | |
| YBLX-ME/8108 | Adjustable rolling pivoted arm | YBLX-AZ/8108 | YBLX-TZ/8108 | |
| YBLX-ME/8111 | Vertical compression plunger type | YBLX-AZ/8111 | YBLX-TZ/8111 | |
| YBLX-ME/8112 | Vertical compression plunger type with horizontal roller | YBLX-AZ/8112 | YBLX-TZ/8112 | |

| Model (Recommended) | Operating mode | Substituted model (production stopped) | | |
|---------------------|---|--|------------------------------|--------------|
| YBLX-ME/8122 | Vertical compression plunger type with roller which at right awgles to the fix board | YBLX-AZ/8122 | YBLX-TZ/8122 | |
| YBLX-ME/8166 | Free-directions type I | YBLX-AZ/8166 | YBLX-TZ/8166 | |
| YBLX-ME/8169 | Free-directions type II | YBLX-AZ/8169 | YBLX-TZ/8169 | |
| YBLX-ME/8101 | Free-directions type III | YBLX-AZ/8101 YBLX-AZ/9101 | YBLX-TZ/8101 YBLX-TZ/8101 | YBLX-ME/9101 |

| Model | Operating mode | OF(max) | RF(min) | PT(max) | OT(min) | MD(max) | TT |
|--------------|--|---------|---------|---------|---------|---------|------|
| YBLX-ME/8104 | Rotating arm with roller | 12N | 0.5N | 35° | 70° | 10° | 110° |
| YBLX-ME/8107 | Adjustable rotating lever | 12N | 0.2-.5N | 35° | 70° | 10° | 110° |
| YBLX-ME/8108 | Adjustable rotating arm with roller | 12N | 1.5N | 35° | 70° | 10° | 110° |
| YBLX-ME/8111 | Vertical compression plunger type | 12N | 0.1-5N | 5mm | 2mm | 0.7mm | 7mm |
| YBLX-ME/8112 | Vertical compression plunger type with horizontal roller | 15N | 1-5N | 5mm | 2mm | 0.7mm | 7mm |
| YBLX-ME/8122 | Vertical compression plunger type with roller which at right awgles to the fix board | 15N | 1.5N | 5mm | 2mm | 0.7mm | 7mm |
| BLX-ME/8166 | Free-directions type I | 12N | -N | 35° | - | - | - |
| YBLX-ME/8169 | Free-directions type II | 12N | -N | 35° | - | - | - |
| YBLX-ME/8101 | Free-directions type III | 12N | -N | 35° | - | - | - |

YBLX-ME/8104

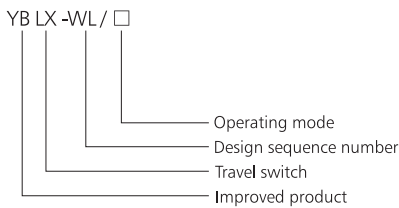
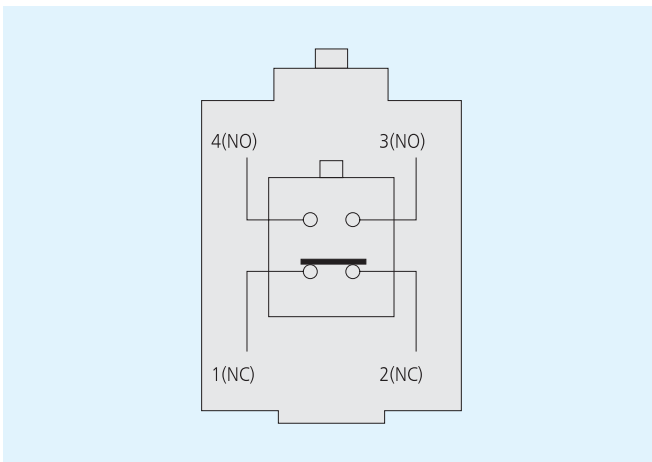
YBLX-ME/8108





YBLX-WL Travel Switch

Contacting types



| | |
|---|---|
| Protection level | IP52 |
| Operating frequency (operations/minute) | Mechanical: 120 Electric: 30 |
| Operating speed | 0.001~1m/s |
| Mechanical life (operations) | 60 × 10 ⁴ |
| Electric life (operations) | 30 × 10 ⁴ |
| Insulation resistance | ≥5M Ω |
| Contact resistance | ≤200M Ω |
| Environmental temperature | -10°C ~ +80°C |
| Relative humidity | ≤95% |
| Voltage withstands | Between terminals of same polarity (1140V) Between electric components and earth (2500V) |
| Rated voltage | Between terminals and non-electric metalparts (2500V) AC 380V DC220V |
| Rated current | AC0.79A DC0.15A |

| Model (Recommended) | Operating mode | Substituted model (production stopped) | | |
|---------------------|--|--|---------------|---------|
| YBLX-WL/CA2 | Rotating arm with single roller | YBLX-WL/01CA2 | YBLX-WL/ACA2 | TZ-5104 |
| YBLX-WL/CA12 | Adjustable rotating arm with single roller | YBLX-WL/01CA12 | YBLX-WL/ACA12 | TZ-5108 |
| YBLX-WL/D | Compression plunger type | YBLX-WL/01D | YBLX-WL/AD | TZ-5101 |
| YBLX-WL/D2 | Plunger type with roller | YBLX-WL/01D2 | YBLX-WL/AD2 | TZ-5102 |
| YBLX-WL/D3 | Compression plunger type with round cap | YBLX-WL/01D3 | YBLX-WL/AD3 | TZ-5109 |

| Model (Recommended) | Operating mode | Substituted model (production stopped) | | |
|------------------------|---|---|------------------|---------|
| YBLX-WL/NJ | Free-directions type I | YBLX-WL/01NJ | YBLX-WL/ANJ | TZ-5106 |
| YBLX-WL/NJ/2 | Free-directions type II | YBLX-WL/01NJ/2 | YBLX-WL/ANJ/2 | |
| YBLX-WL/NJ/S2 | Free-directions type III | YBLX-WL/01NJ/S2 | YBLX-WL/ANJ/S2 | TZ-5169 |
| YBLX-WL/CL | Adjustable straight lever type | YBLX-WL/01CL | YBLX-WL/ACL | TZ-5107 |
| YBLX-WL/HAL4 | Adjustable curved lever type | YBLX-WL/01HAL4 | YBLX-WL/AHAL4 | |
| YBLX-WL/HAL5 | Adjustable spring type (free-directions type IV) | YBLX-WL/01HAL5 | YBLX-WL/AHAL5 | |
| YBLX-WL/CA32/41 | Rotating arm with two rollers | YBLX-WL/01CA32/41 | YBLX-WL/ACA32/41 | TZ-5105 |
| | | YBLX-WL/01CA32/43 | YBLX-WL/CA32/43 | TZ-5125 |
| | | | YBLX-WL/ACA32/43 | TZ-5135 |

| Model Operating performance | Arm with roller | | | |
|------------------------------------|-----------------|---------------|----------------|---------------|
| | YBLX-WL/CA2 | YBLX-WL/CA2/7 | YBLX-WL/CA2/2N | YBLX-WL/CA2/8 |
| OF(max) | 20 | | | |
| RF(min) | 2.27N | | | |
| PT(max) | 45° | | | |
| OT(min) | 15° | | | |
| MD(max) | 12° | | | |

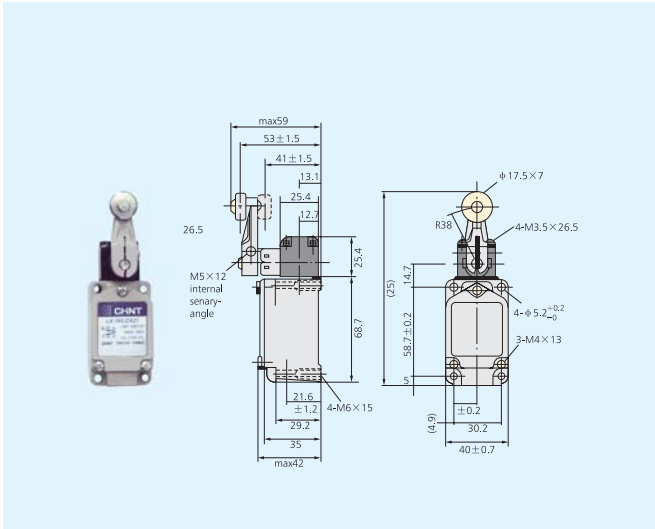
| Model Operating performance | Arm with roller | | | |
|------------------------------------|-----------------|--------------|--------------|-----------------|
| | YBLX-WL/CA2/31 | YBLX-WL/GCA2 | YBLX-WL/CA12 | YBLX-WL/CA12/2N |
| OF(max) | | | 20N | |
| RF(min) | | | 2.27N | |
| PT(max) | | | 45° | |
| OT(min) | | | 15° | |
| MD(max) | | | 12° | |

| Model Operating performance | Flexible spring densely wound coil(free directions type) | | | |
|------------------------------------|--|--------------|--------------|---------------|
| | YBLX-WL/NJ | YBLX-WL/NJ30 | YBLX-WL/NJ/2 | YBLX-WL/NJ/S2 |
| OF(max) | 16N | | 16N | 16N |
| RF(min) | | | | 0.28N |
| PT(max) | 45° | | 45° | 45° |
| OT(min) | | | | |
| MD(max) | | | | |

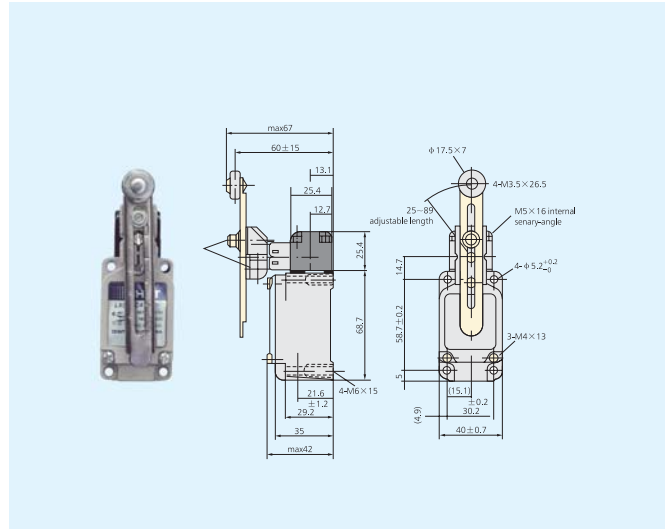
| Model Operating performance | Adjustable level | | | |
|--------------------------------|------------------|---------------|--------------|--------------|
| | YBLX-WL/CL | YBLX-WL/CL/2N | YBLX-WL/HAL4 | YBLX-WL/HAL5 |
| OF(max) | 20N | 20N | 20N | 20N |
| RF(min) | 0.28N | 0.28N | 0.28N | 0.28N |
| PT(max) | 45° | 45° | 45° | 45° |
| OT(min) | 15° | 15° | 15° | 15° |
| MD(max) | 12° | 10° | 10° | 10° |

| Model Operating performance | Arm with two rollers | Plunger | Plunger with single roller | Plunger with round cap |
|--------------------------------|----------------------|-----------|----------------------------|------------------------|
| | YBLX-WL/CA32/41/43 | YBLX-WL/D | YBLX-WL/D2 | YBLX-WL/D3 |
| OF(max) | 25N | 30 | 30N | 30N |
| RF(min) | - | 9.1N | 9.1N | 9.1N |
| PT(max) | 60° | 7.5mm | 7.5mm | 7.5mm |
| OT(min) | 10° | 2mm | 2mm | 2mm |
| MD(max) | - | 1mm | 1mm | 1mm |
| OP(max) | - | 34±0.8mm | 44±0.8mm | 44.5±0.8mm |
| TTP(max) | - | 29.5° | 39.5° | 39.5° |

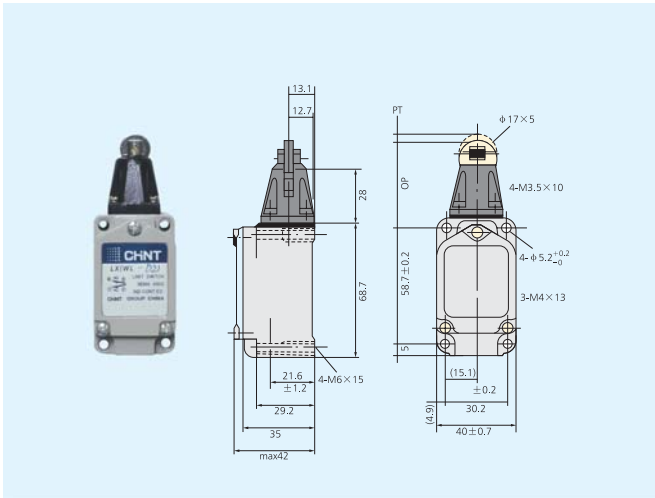
YBLX-WL/CA2



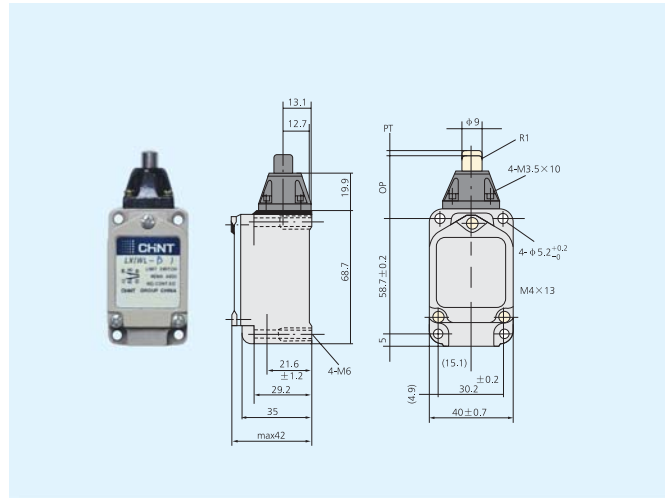
YBLX-WL/CA12



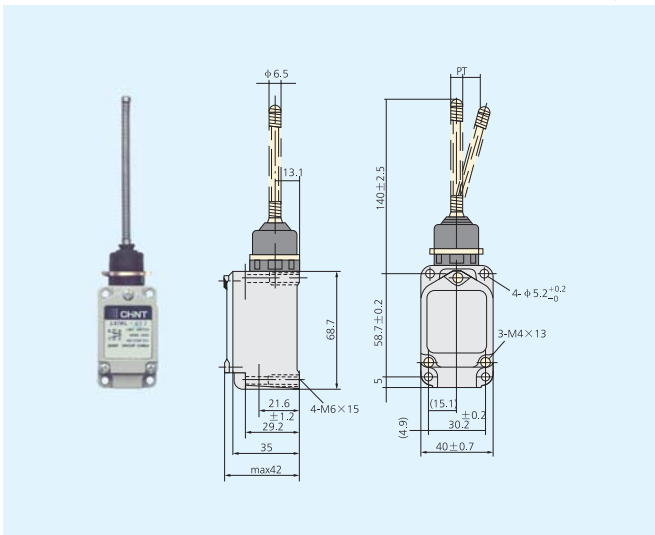
YBLX-WL/D2



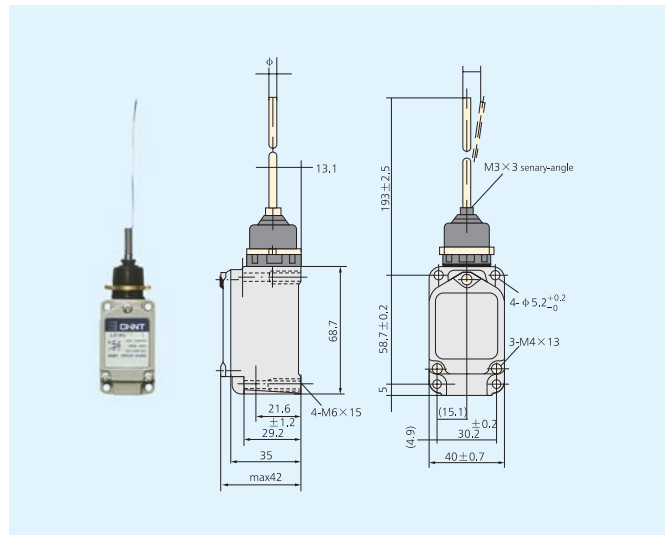
YBLX-WL/D



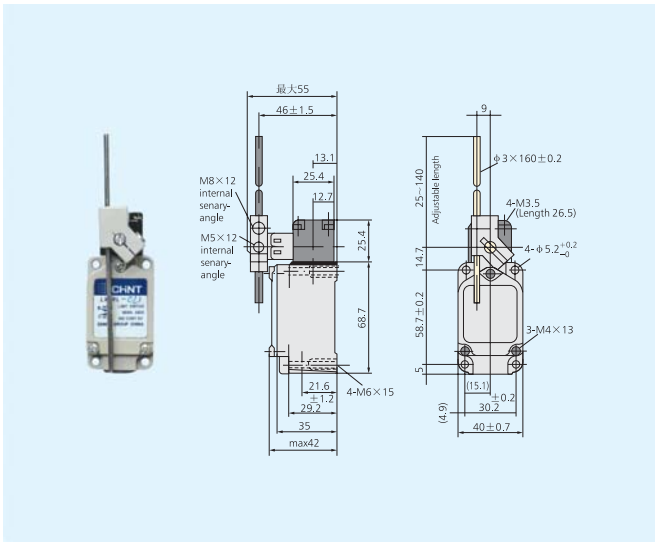
YBLX-WL/NJ



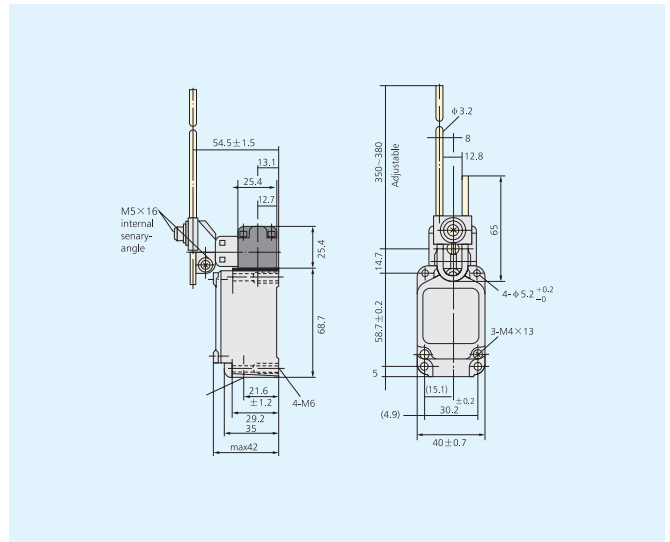
YBLX-WL/NJ/S2



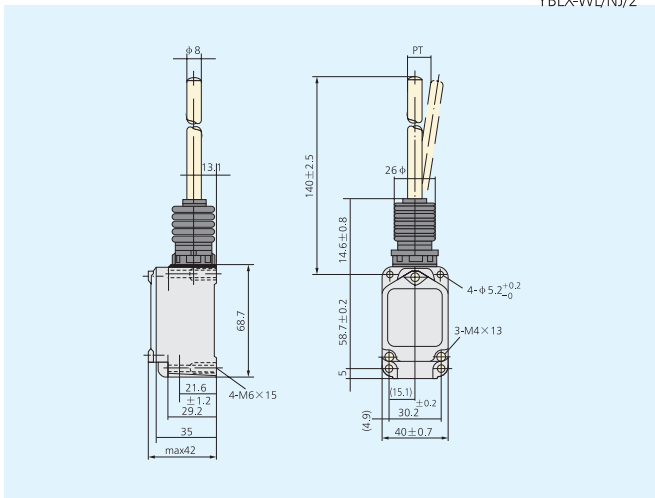
YBLX-WL/CL



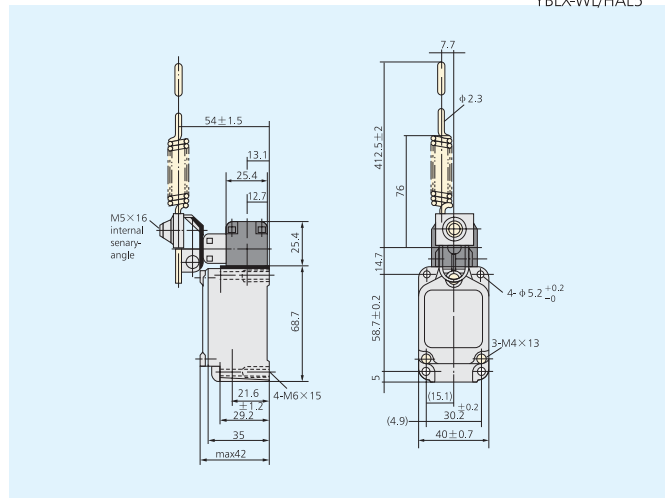
YBLX-WL/HA/L4



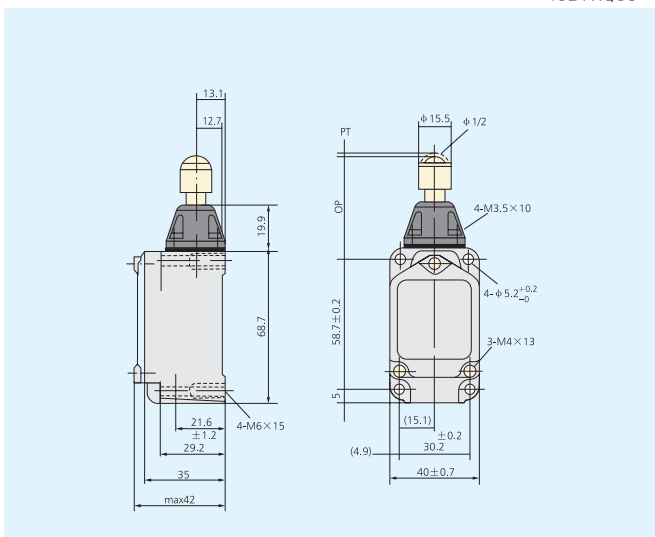
YBLX-WL/NJ/2



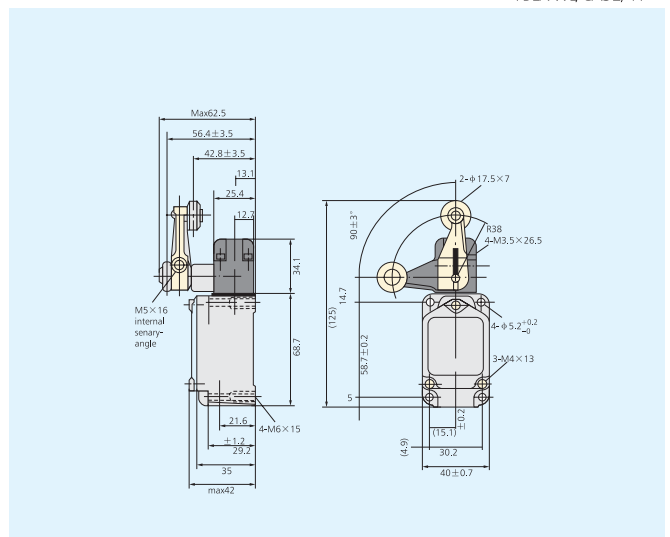
YBLX-WL/HA/L5



YBLX-WL/D3



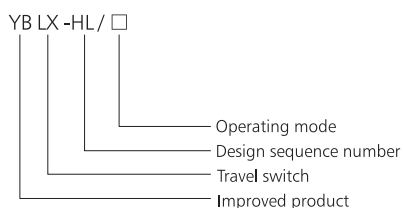
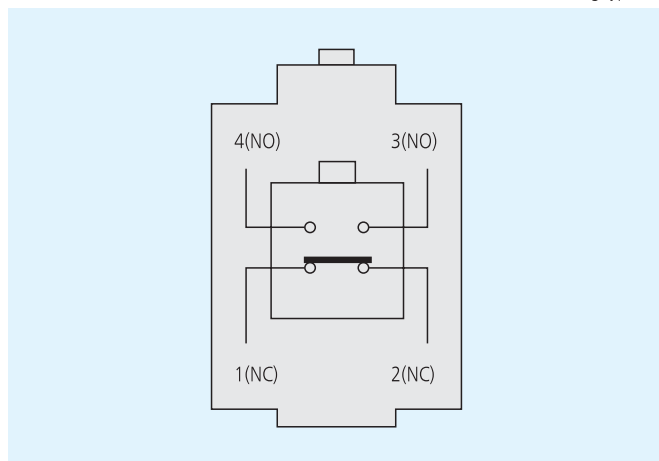
YBLX-WL/CA32/41





YBLX-HL/5000 Travel Switch

Contacting types

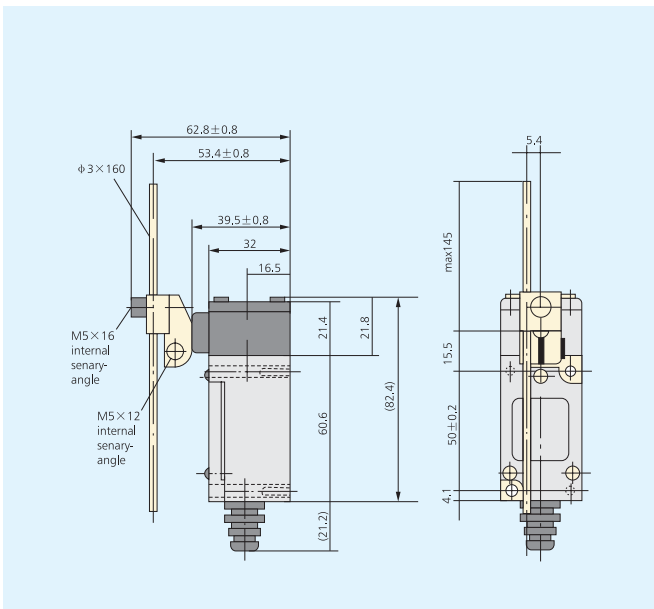


| Protection level | | IP52 |
|--|------------|--|
| Operating frequency (operations minute) | Mechanical | 120 |
| | Electric | 30 |
| Operating speed | | 0.005~0.5m/s |
| Mechanical life (operations) | | 60 × 10 ⁴ |
| Electrical life(operations) | | 30 × 10 ⁴ |
| Insulation resistance | | ≥5M Ω |
| Contact resistance | | ≤200M Ω (initial value) |
| Environmental temperature | | -5℃~+65℃ |
| Relative humidity | | ≤95% |
| Voltage withstand | | Between terminals of same polarity (1140V) |
| | | Between electrified components and earth (2500V) |
| | | Between terminals and non-electrified metal components (2500V) |
| Rated voltage (V) | | AC380V DC220V |
| Rated current | | AC100VA DC30W |

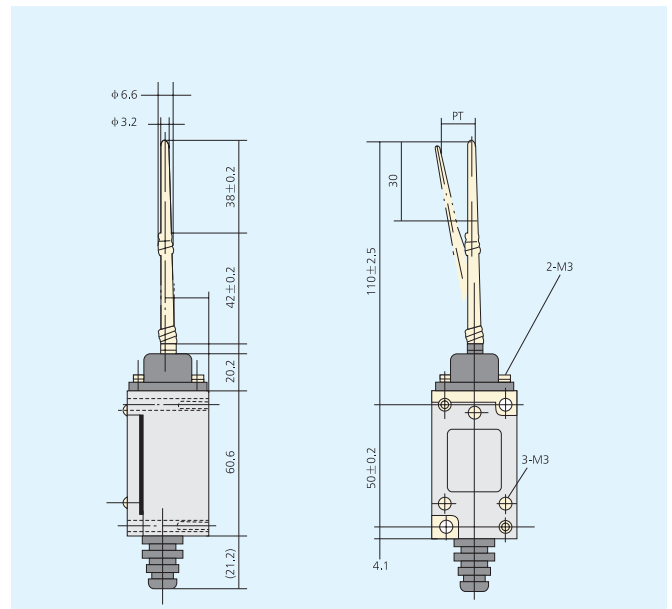
| Operating performances | Model | YBLX-HL/5000 | YBLX-HL/5030 | YBLX-HL/5050 | YBLX-HL/5100 | YBLX-HL/5200 | YBLX-HL/5500 |
|------------------------|-------|--------------|--------------|--------------|--------------|--------------|--------------|
| | | OF(max) | 16N | 16N | 16N | 20N | 20° |
| RF(min) | 1N | 1N | 1.5N | 1.5N | - | | |
| PT(max) | 45° | 45° | 45° | 5mm | 5mm | | |
| OT(min) | 20° | 20° | 20° | 2mm | 2mm | | |
| MD(max) | 12° | 12° | 1mm | 1mm | - | | |
| OP | - | - | 30±0.8mm | 40±0.8mm | - | | |

| Model | Operating mode |
|--------------|---|
| YBLX-HL/5000 | Rotating arm with roller |
| YBLX-HL/5030 | Rotating adjustable arm with roller |
| YBLX-HL/5050 | Adjustable rotating lever |
| YBLX-HL/5100 | Vertical compressed plunger type |
| YBLX-HL/5200 | Vertical compressed plunger type with roller |
| YBLX-HL/5300 | Free-directions type flexible lever with spring |

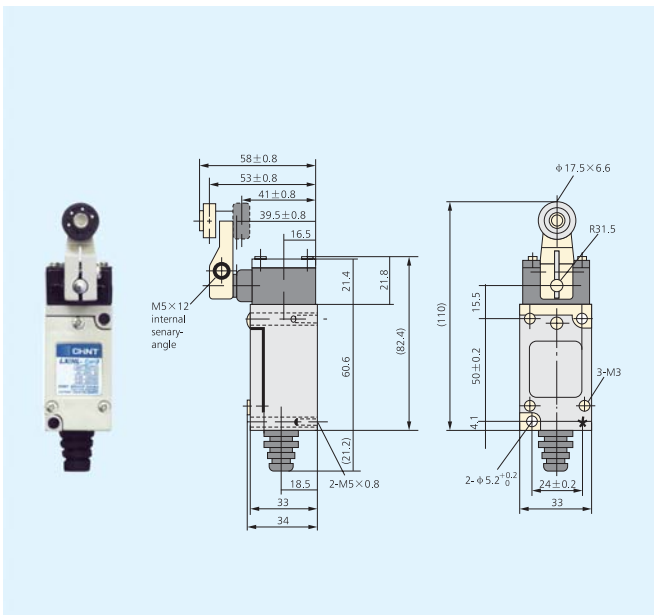
YBLX-HL/5050



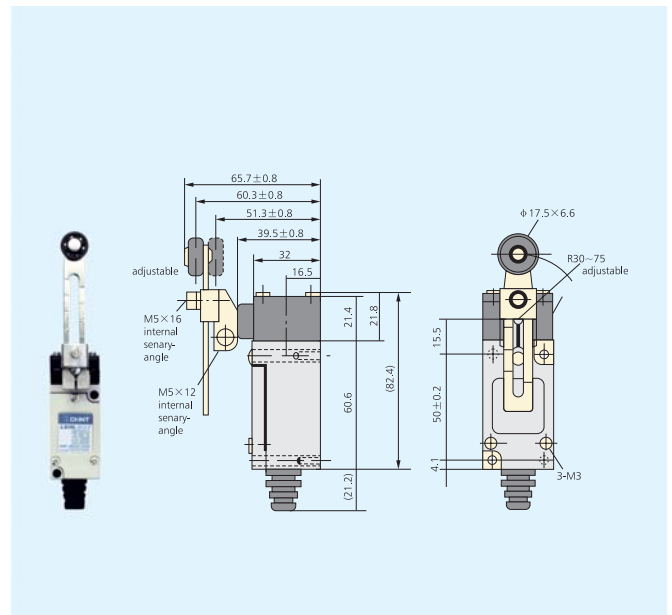
YBLX-HL/5300



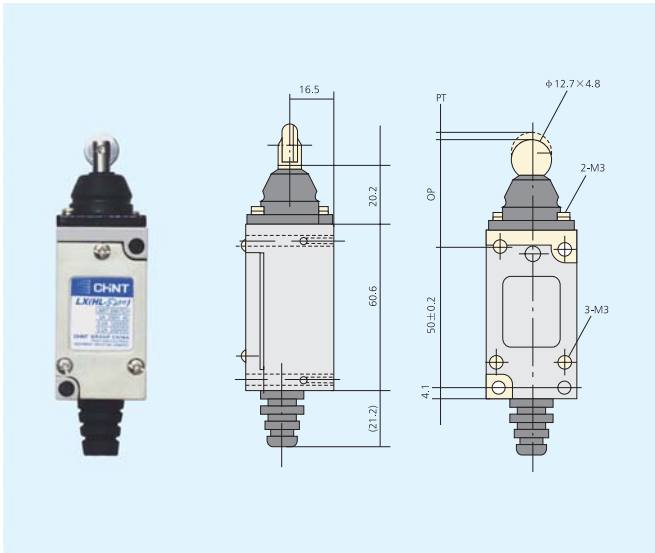
YBLX-HL/5000



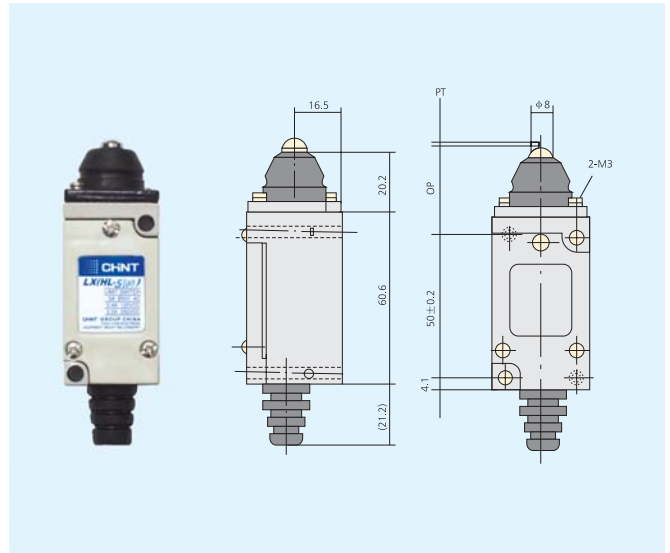
YBLX-HL/5030



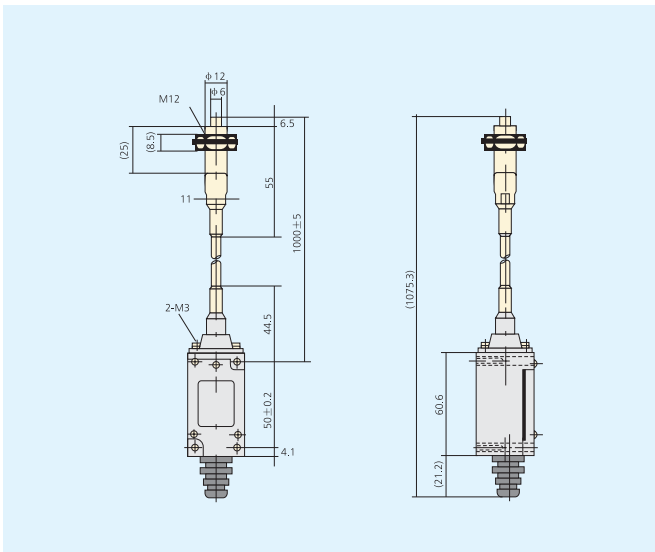
YBLX-HL/5200

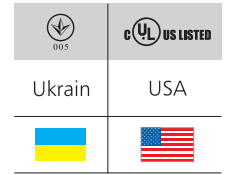


YBLX-HL/5100



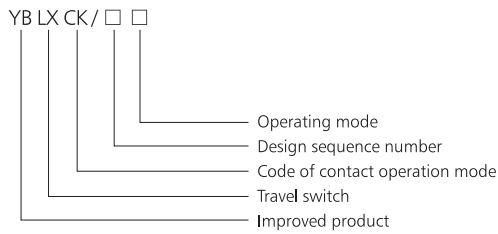
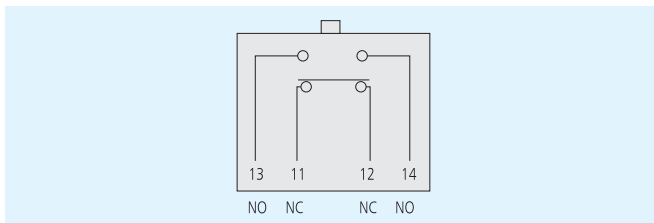
YBLX-HL/5500





YBLX-CK Travel Switch

Contacting types



| | |
|------------------------------|-----------------------|
| Protection level | IP52 |
| Rated operational voltage | AC 380V DC220V |
| Rated current | AC0.8A DC0.16A |
| Mechanical life (operations) | 100 × 10 ⁴ |
| Electric life (operations) | 30 × 10 ⁴ |

| Model | Mechanical equipments for construction and public facilities | Food, agriculture, textile, timber, lumber, industry, machine | Packing machine | Machine tool | Assembling machine | Power-drive mounting & dimounting machine |
|-----------|--|---|--------------------------|--------------------|--------------------------|---|
| YBLX-CK/J | Not often utilized | Not often utilized | Not often utilized | Utilizable | Most frequently utilized | Most frequently utilized |
| YBLX-CK/S | Not often utilized | Most frequently utilized | Most frequently utilized | Not often utilized | Not often utilized | Not often utilized |
| YBLX-CK/M | Most frequently utilized | Utilizable | Most frequently utilized | Utilizable | Utilizable | Most frequently utilized |
| YBLX-CK/P | Most frequently utilized | Most frequently utilized | Most frequently utilized | Not often utilized | Most frequently utilized | Not often utilized |
| YBLX-CK/T | Most frequently utilized | Most frequently utilized | Most frequently utilized | Not often utilized | Most frequently utilized | Not often utilized |

| Model | Direct-driven type | Direct-driven type with steel roller | Direct-driven type with plastic roller | Direct-driven type with plastic roller | Adjustable rotating arm with roller type | Rotating arm type round lever | Free-directions type |
|-----------|--------------------|--------------------------------------|--|--|--|-------------------------------|----------------------|
| YBLX-CK/J | J161 | J167 | | J10511 | J10541 | J10559 | |
| YBLX-CK/S | S101 | S102 | | S131, 139 | S141 | S159 | |
| YBLX-CK/M | M110 | M102 | M121 | M115 | | | M106 |
| YBLX-CK/P | P110 | P102 | P121 | P118 | P145 | P155 | P106 |
| YBLX-CK/T | T110 | T102 | | T118 | | | |

YBLX-CK/P 106

YBLX-CK/J 10511

YBLX-CK/J 10541

YBLX-CK/P 102



YBLX-CK/M 106



YBLX-CK/M 121



YBLX-CK/T 121



YBLX-CK/P 121



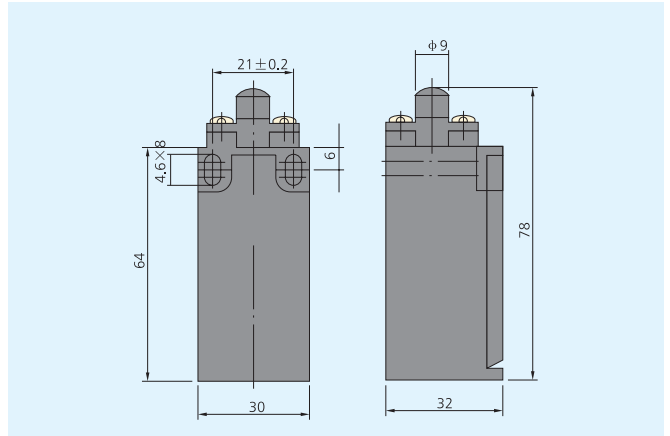
YBLX-CK/M 102



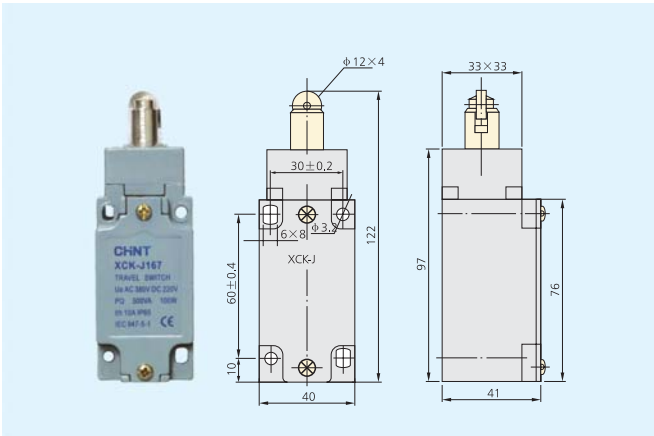
YBLX-CK/M 115



YBLX-CK/P 110

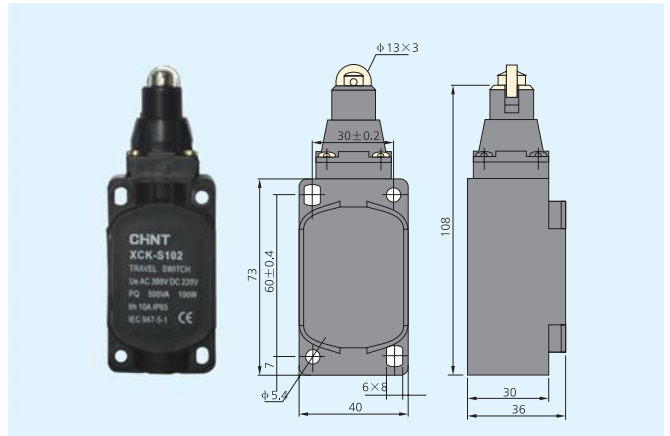


YBLX-CK/J 167

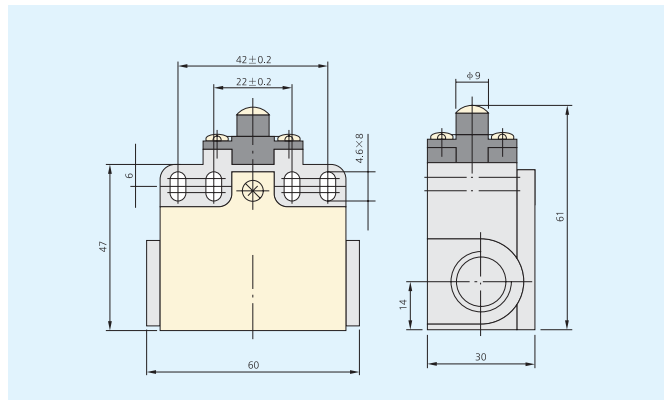
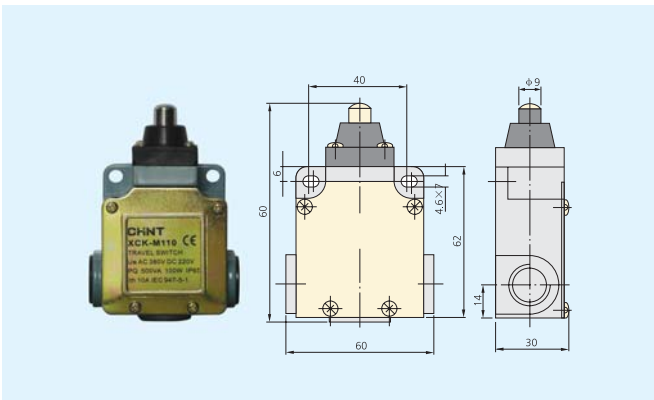


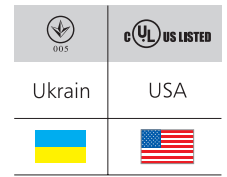
YBLX-CK/M 110

YBLX-CK/S 102



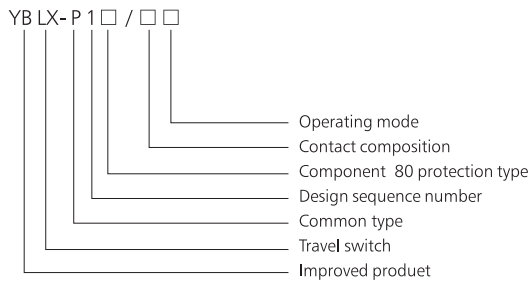
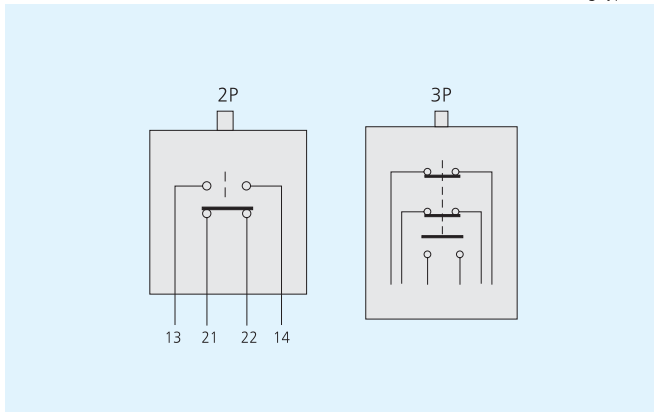
YBLX-CK/T 110





YBLX-P1 Travel Switch

Contacting types



| | 2P component | 3P component | 4P component |
|-----|--------------|--|-------------------------|
| 1 | 1 NO+1 NC | 1 NO+2 NC | 2NO+2NC |
| | | | 2-pole switch component |
| 100 | | 3-pole protective type travel switch (wide type) | |
| 120 | | 3-pole protective type travel switch (narrow type) | |
| 303 | | 3-pole protective type travel switch (wide type) | |
| 404 | | 4-pole protective type travel switch (wide type) | |

| Model (recommended) | Operating mode | Substitution model (production stopped) | | |
|---------------------|--|---|----------------|----------------|
| YBLX-P1/120/1B | Direct-driven | YBLX-P1/120/0B | | |
| YBLX-P1/120/1C | Direct-driven, buffering | YBLX-P1/120/0C | | |
| YBLX-P1/120/1D | Direct driven, with single roller | YBLX-P1/120/0D | | |
| YBLX-P1/120/1E | Direct-driven with single roller, buffering | YBLX-P1/120/0E | | |
| YBLX-P1/120/1F | Lever, with single roller | YBLX-P1/120/0F | | |
| YBLX-P1/120/1G | Angle of rotating arm adjustable, with single roller | YBLX-P1/120/1H | YBLX-P1/120/1J | YBLX-P1/120/1K |
| | | YBLX-P1/120/0H | YBLX-P1/120/0J | YBLX-P1/120/0K |
| | | YBLX-P1/120/0G | | |

| Model (recommended) | Operating mode | Substitution model (production stopped) | | |
|------------------------|--|--|----------------------------------|----------------------------------|
| YBLX-P1/120/1P | Length of iron lever adjustable, damping | YBLX-P1/120/1V YBLX-P1/120/0V YBLX-P1/120/0P | YBLX-P1/120/1W YBLX-P1/120/0W | YBLX-P1/120/1Q YBLX-P1/120/0Q |
| YBLX-P1/120/1R | Free-directions type | YBLX-P1/120/0R | | |
| YBLX-P1/120/1T | No self-reset of roller | YBLX-P1/120/0T | | |
| YBLX-P1/120/1U | Length of single lever adjustable, with single roller | YBLX-P1/120/0U | YBLX-P1/120/0N | YBLX-P1/120/0N |
| YBLX-P1/100/1B | Direct-driven | YBLX-P1/100/0B | | |
| YBLX-P1/100/1C | Direct-driven, buffering | YBLX-P1/100/0C | | |
| YBLX-P1/100/1D | Direct driven, with single roller | YBLX-P1/100/0D | | |
| YBLX-P1/100/1E | Direct-driven with single roller, buffering | YBLX-P1/100/0E | | |
| YBLX-P1/100/1F | Lever, with single roller | YBLX-P1/100/0F | | |
| YBLX-P1/100/1G | Angle of rotating arm adjustable, with single roller | YBLX-P1/100/1H YBLX-P1/100/0H YBLX-P1/100/0G | YBLX-P1/100/1J YBLX-P1/100/0J | YBLX-P1/100/1K YBLX-P1/100/0K |
| YBLX-P1/100/1P | Length of iron lever adjustable, damping | YBLX-P1/100/1V YBLX-P1/100/0V YBLX-P1/100/0P | YBLX-P1/100/1W YBLX-P1/100/0W | YBLX-P1/100/1Q YBLX-P1/100/0Q |
| YBLX-P1/100/1R | Free-directions type | YBLX-P1/100/0R | | |
| YBLX-P1/100/1T | Length of single lever adjustable, with single roller | YBLX-P1/100/0T | | |
| YBLX-P1/100/1U | Direct-driven | YBLX-P1/100/0U | YBLX-P1/100/0N | YBLX-P1/100/0N |
| YBLX-P1/303/1B | Direct-driven, buffering | YBLX-P1/303/0B | | |
| YBLX-P1/303/1C | Direct driven, with single roller | YBLX-P1/303/0C | | |
| YBLX-P1/303/1D | Direct-driven with single roller, buffering | YBLX-P1/303/0D | | |
| YBLX-P1/303/1E | Lever, with single roller | YBLX-P1/303/0E | | |
| YBLX-P1/303/1F | Angle of rotating arm adjustable, with single roller | YBLX-P1/303/0F | | |
| YBLX-P1/303/1G | Length of single lever adjustable, with single roller | YBLX-P1/303/1H YBLX-P1/303/0H YBLX-P1/303/0G | YBLX-P1/303/1J YBLX-P1/303/0J | YBLX-P1/303/1K YBLX-P1/303/0K |
| YBLX-P1/303/1P | Length of iron lever adjustable, damping | YBLX-P1/303/1V YBLX-P1/303/0V YBLX-P1/303/0P | YBLX-P1/303/1W YBLX-P1/303/0W | YBLX-P1/303/1Q YBLX-P1/303/0Q |
| YBLX-P1/303/1R | Free-directions type | YBLX-P1/303/0R | | |
| YBLX-P1/303/1T | No self-reset of roller | YBLX-P1/303/0T | | |
| YBLX-P1/303/1U | Length of single lever adjustable, with single roller | YBLX-P1/303/0U | | |
| YBLX-P1/404/1B | Direct-driven | YBLX-P1/404/0B | | |
| YBLX-P1/404/1C | Direct-driven, buffering | YBLX-P1/404/0C | | |
| YBLX-P1/404/1D | Direct driven, with single roller | YBLX-P1/404/0D | | |

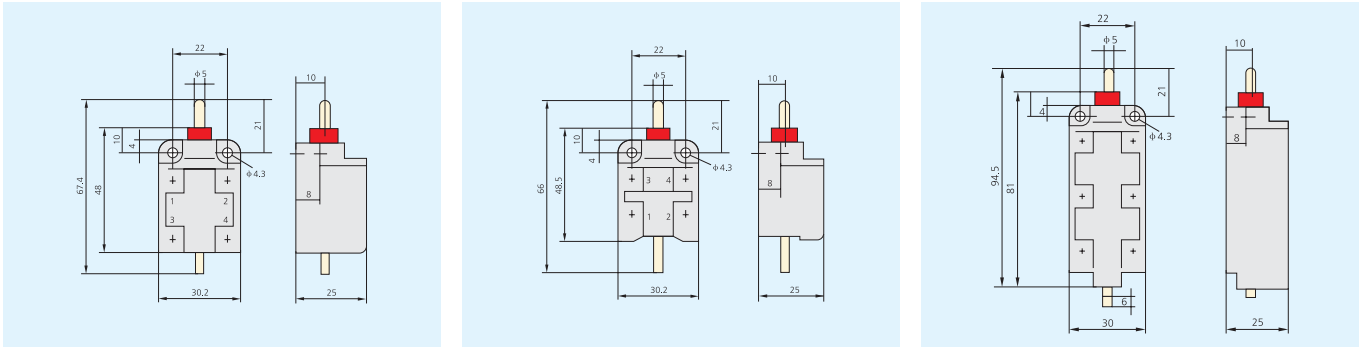
YBLX-P1/404/0E

| Model (recommended) | Operating mode | Substitution model (production stopped) | | |
|------------------------|--|--|----------------------------------|----------------------------------|
| | | YBLX-P1/404/0F | YBLX-P1/404/1H | YBLX-P1/404/0E |
| YBLX-P1/404/1E | Direct-driven with single roller, buffering | YBLX-P1/404/0H | YBLX-P1/120/1W | YBLX-P1/120/1Q |
| YBLX-P1/404/1F | Lever, with single roller | YBLX-P1/404/0G | YBLX-P1/120/0W | YBLX-P1/120/0Q |
| YBLX-P1/404/1G | Length of single lever adjustable, with single roller | YBLX-P1/404/1V YBLX-P1/404/0V YBLX-P1/404/0P | YBLX-P1/404/1J YBLX-P1/404/0J | YBLX-P1/404/1K YBLX-P1/404/0K |
| YBLX-P1/404/1P | Length of iron lever adjustable, damping | YBLX-P1/404/0R YBLX-P1/404/0T YBLX-P1/404/0U | YBLX-P1/404/1W YBLX-P1/404/0W | YBLX-P1/404/1Q YBLX-P1/404/0Q |
| YBLX-P1/404/1R | Free-directions type | | | |
| YBLX-P1/404/1T | No self-reset of roller | | | |
| YBLX-P1/404/1U | Length of single lever adjustable, with single roller | | | |

| | |
|----------------------------------|---|
| Rated operational voltage (V) | AC380V DC220V |
| Rated current | AC5A DC0.15A |
| Conventional heating current (A) | 10 |
| Protection degree | IP52 |
| Mechanical life (operations) | 30×10^5 |
| Electric life (operations) | $I_e = 5A/AC-15: 60 \times 10^4$ |
| | $I_e = 0.15A/DC-13: 20 \times 10^4$ |
| Environmental temperature | $-25^{\circ}\text{C} \sim +40^{\circ}\text{C}$ |
| Relative humidity | $\leq 95\%$ |
| Altitude | $\leq 2000\text{m}$ |
| Application | Automatic control, limitation operation, operation of transmission mechanism and program control of machine tool. |

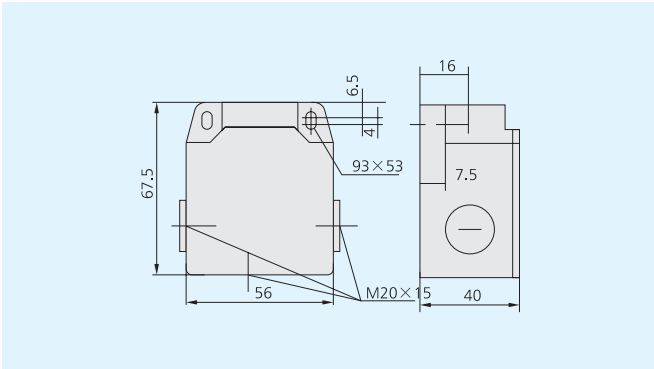


Unlocking type

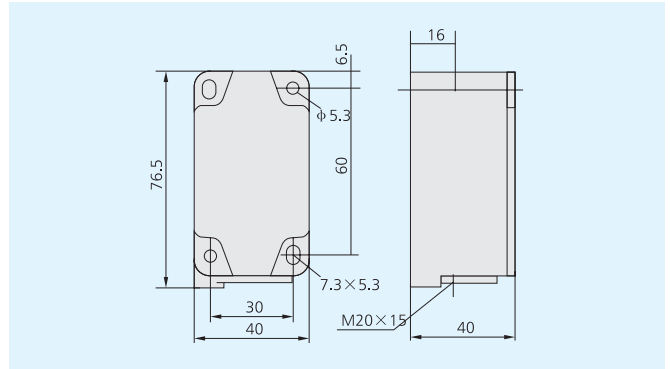


Protective cover

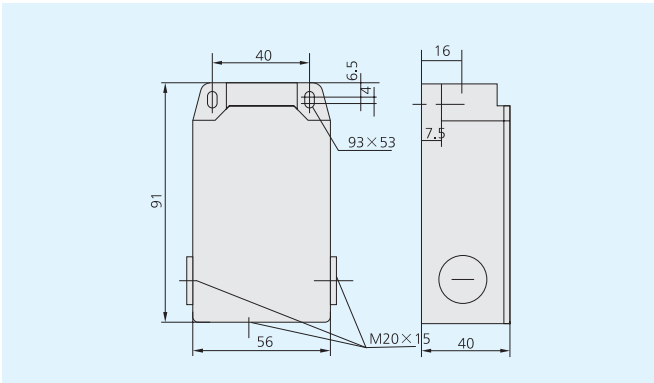
YBLX-P1/100 series



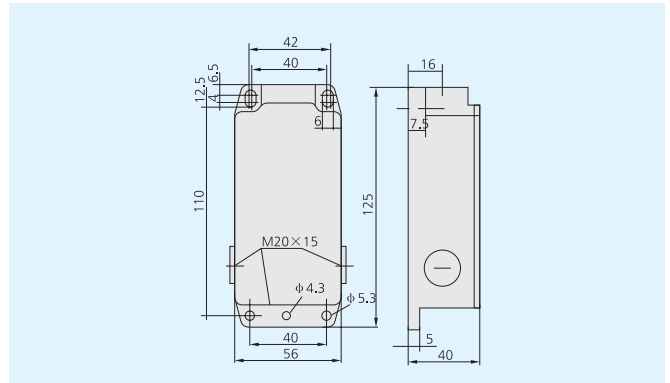
YBLX-P1/120 series



YBLX-P1/303 series

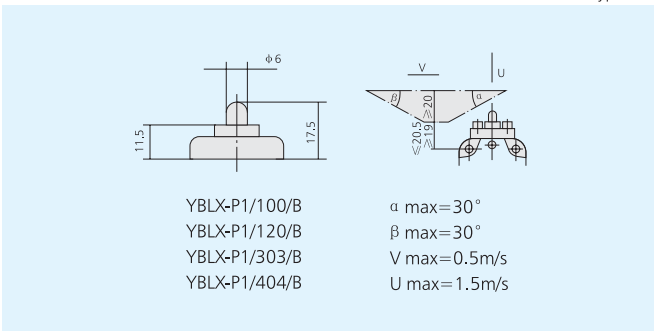


YBLX-P1/404 series

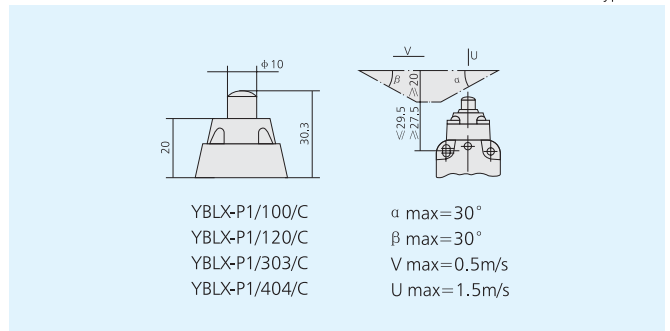


Driven head style & data

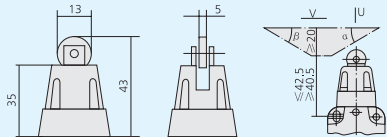
Type B



Type C



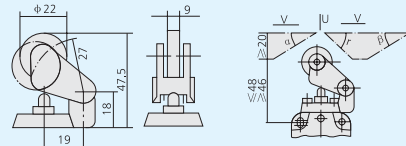
Type D



YBLX-P1/100/D
YBLX-P1/120/D
YBLX-P1/303/D
YBLX-P1/404/D

α max=30°
 β max=30°
V max=1.0m/s
U max=1.5m/s

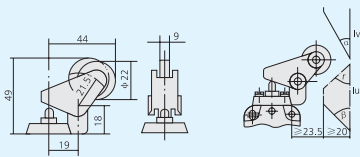
Type E



YBLX-P1/100/E
YBLX-P1/120/E
YBLX-P1/303/E
YBLX-P1/404/E

α max=30°
V max=1.0m/s
Y max=45°
 β max=45°
V max=2.5m/s
U max=1.5m/s

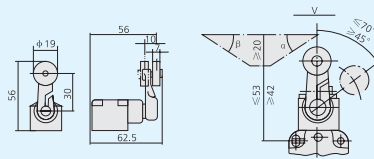
Type F



YBLX-P1/100/F
YBLX-P1/120/F
YBLX-P1/303/F
YBLX-P1/404/F

α max=30°
V max=1.0m/s
Y max=45°
 β max=45°
V max=2.5m/s

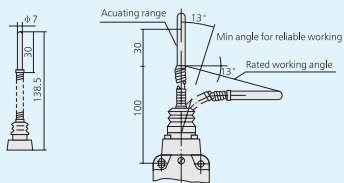
Type G, H, J, K



YBLX-P1/100/G,J,H,K
YBLX-P1/120/G,J,H,K
YBLX-P1/303/G,J,H,K
YBLX-P1/404/G,J,H,K

α max=30°
 β max=30°
V max=3.0m/s

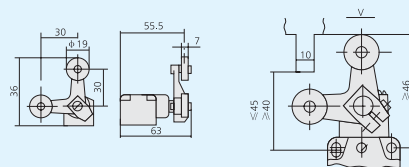
Type R



YBLX-P1/100/R
YBLX-P1/120/R
YBLX-P1/303/R

V max=1m/s

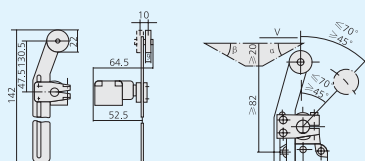
Type T



YBLX-P1/100/T
YBLX-P1/120/T
YBLX-P1/303/T

V max=3m/s

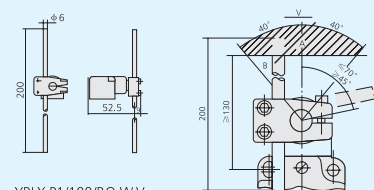
Type U, N



YBLX-P1/100/U,N
YBLX-P1/120/U,N
YBLX-P1/303/U,N
YBLX-P1/404/U,N

α max=30°
 β max=30°
V max=3.0m/s

Type P, Q, W, V



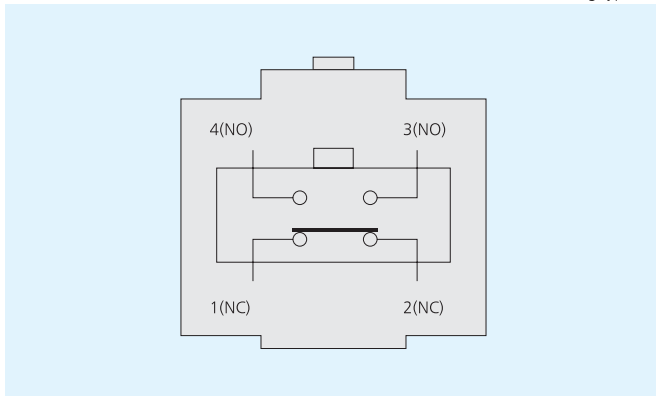
YBLX-P1/100/P,Q,W,V
YBLX-P1/120/P,Q,W,V
YBLX-P1/303/P,Q,W,V
YBLX-P1/404/P,Q,W,V

V max=3.0m/s



YBLX-K1 Travel Switch

Contacting types



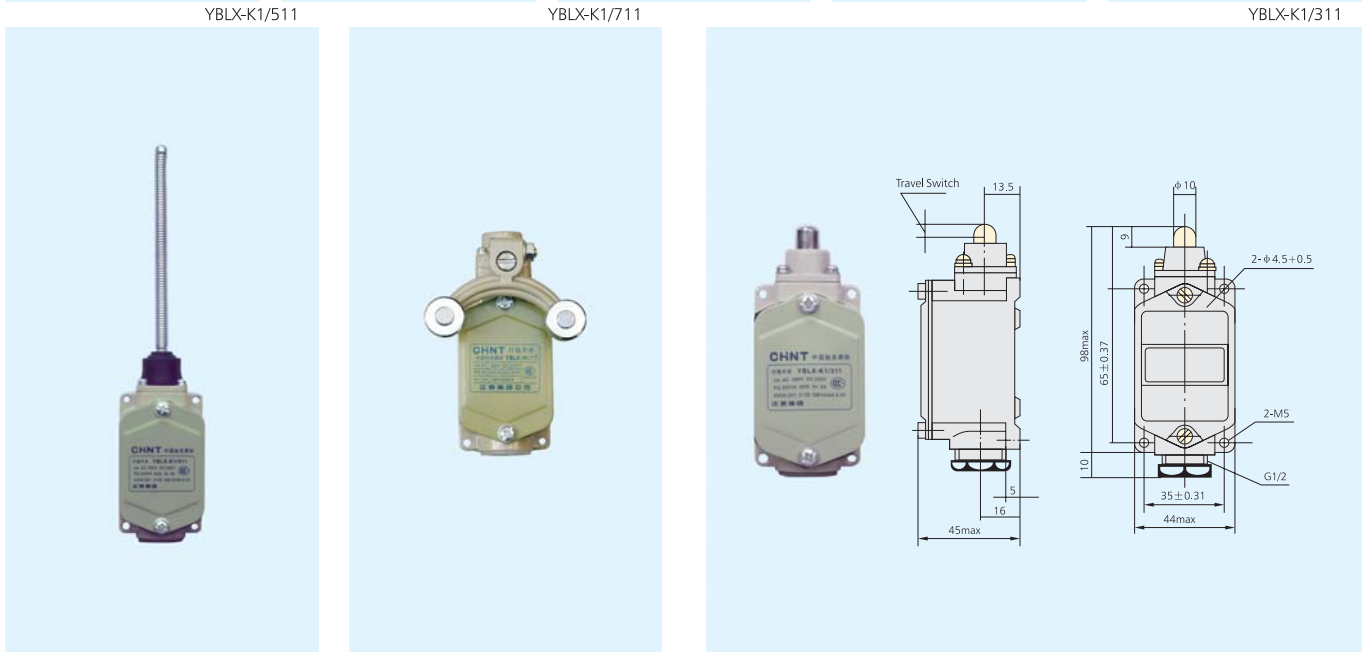
- YBLX-K 1/□ 1 1 □
- Derivative code: M: enclosed type
 - 1 NC contact
 - 1 NO contact
 - 1: single roller
 - 2: double rollers
 - 3: plunger type
 - 4: plunger type with roller
 - 5: free-directions type
 - 6: Rear mounting of single roller
 - 7: Rear mounting of double roller
 - Design sequence number
 - Fast operation
 - Travel switch
 - New product code

| Model | Mode | Substitution model (production stopped) | |
|-------------|--|---|-------------|
| YBLX-K1/111 | Automatic reset of single roller | | |
| YBLX-K1/211 | Non-automatic reset of double rollers | | |
| YBLX-K1/311 | Automatic reset of plunger | YBLX-25/311S | YBLX-25/311 |
| YBLX-K1/411 | Automatic reset of plunger roller | YBLX-25/411S | YBLX-25/411 |
| YBLX-K1/511 | Automatic reset of free-directions type | YBLX-25/511S | YBLX-25/511 |
| YBLX-K1/611 | Self-reset of rear mounted single roller | YBLX-25/611S | YBLX-25/611 |
| YBLX-K1/711 | Non-self-reset of rear mounted single roller | YBLX-25/711S | YBLX-25/711 |

| Protection degree | IP52 |
|---|--------------------|
| Conventional heating current | 5A |
| Rated voltage | AC 380V DC220V |
| Rated current ⁴ | AC 5A DC0.15A |
| Operating frequency (operations/minute) | 20 |
| Lasting ratio of electrification | 40% |
| Mechanical life (operations) | 60x10 ⁴ |
| Electric life (operations) | 30x10 ⁴ |
| Environmental temperature | -30℃ ~ +40℃ |

| | |
|--------------------|---|
| Protection degree | IP52 |
| Relative humidity | ≤85%(20℃) |
| Altitude level | ≤2000m |
| Voltage withstands | Between terminals of same polarity (1140V) |
| | Between electrified components and earth (2500V) |
| | Between terminals and un-electrified metal components (2500V) |
| Application range | Automatic control of machine tool, restriction of operating structure operation or control of procedure |
| Standards | IEC60947-5-1 |

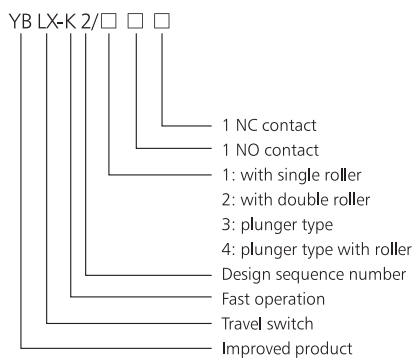
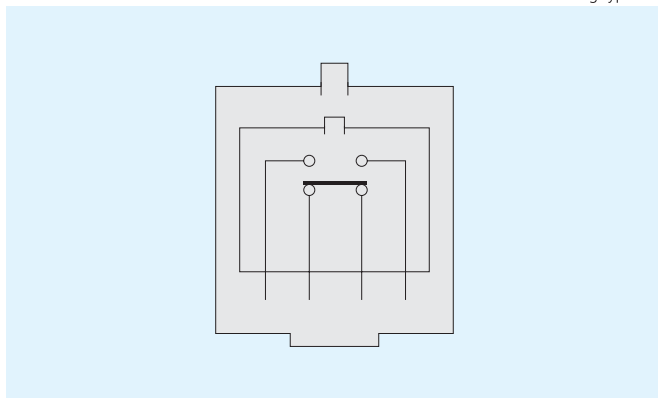
| Operating performances | Model | YBLX-K1-111 | YBLX-K1-211 | YBLX-K1-311 | YBLX-K1-411 |
|------------------------|---------|-------------|-------------|-------------|-------------|
| | OF(max) | | 10N | 25N | 20N |
| PT(max) | | ≤45° | ≤70° | ≤5mm | ≤5mm |
| OT(min) | | ≥15° | - | ≥1mm | ≥1mm |





YBLX-K2 Travel Switch

Contacting types



| | |
|---|---|
| Conventional heating current (A) | 5A |
| Rated voltage (V) | AC 380V DC 220V |
| Rated current | AC 0.8A DC 0.16A |
| Operating frequency (operations/minute) | 160 |
| Mechanical life (operations) | 60×10^4 |
| Environmental temperature | -25°C ~ +40°C |
| Relative humidity | ≤90% |
| Altitude | ≤2000m |
| Voltage withstand | Between electrified components and the earth Between electrified components of the same polarity |
| Application range | Travel control and limitation protection in control circuits |
| Standard | IEC60947-5-1 |

| Operating performances | Model | YBLX-K2/001 | YBLX-K2/101 | YBLX-K2/111、131 |
|------------------------|-------|-------------|-------------|-----------------|
| OF(max) | | 6N | 7N | 7N |
| RF(min) | | ≥1.5N | ≥1.5N | ≥2N |
| PT(max) | | 2±0.7mm | 5±0.7mm | 15° ±7° |
| MD(max) | | ≤1.5mm | ≤1.5mm | ≤1.5mm |
| OT(min) | | ≥2mm | ≥2mm | ≥15° |

| Model (recommended) | Operating mode | Substitution type (production stopped) | |
|---------------------|---------------------------------------|--|-------------|
| YBLX-K2/111 | Self-reset of single roller | YBLX-K2/121 | YBLX-K2/131 |
| YBLX-K2/211 | Non-self-reset of single roller | | |
| YBLX-K2/311 | Self-reset of plunger type | YBLX-K2/001 | |
| YBLX-K2/411 | Non-self-reset of plunger roller type | YBLX-K2/101 | |

YBLX-K2/111



YBLX-K2/211



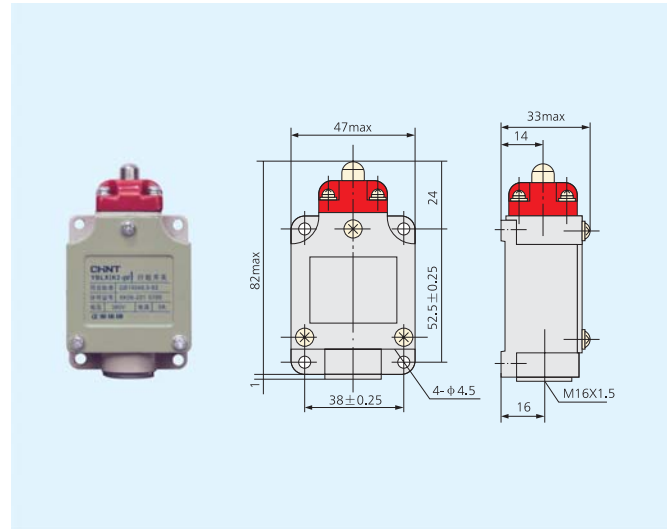
YBLX-K2/411K



YBLX-K2/101、YBLX-K2/411



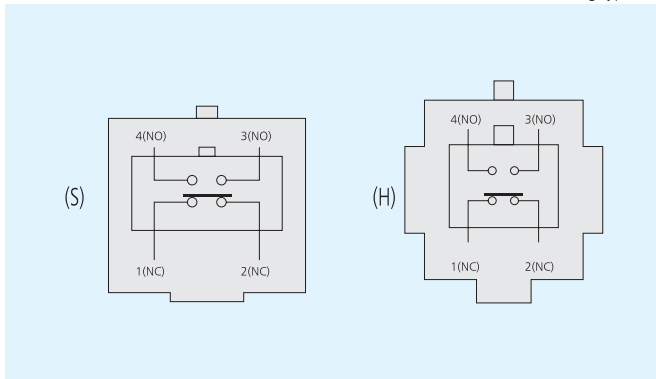
YBLX-K2/001、YBLX-K2/311





YBLX-K3 Travel Switch

Contacting types



YBLX-K 3/2 0 □/□

- Operating mode. As for code explanation, please refer to table below
- Protective case type; K: no protective case, unlocking type
- S: vertical protective case, with an outlet wire orifice in bottom
- H: horizontal protective case, with an outlet wire orifice in bottom and each side
- Contact assembly type
- Pair number of contact
- Design sequence number
- Fast operation
- Travel switch
- Improved product

| Symbol | Definition |
|--------|--|
| Z | Plunger type |
| L | Plunger with roller type |
| B | Rotating arm with roller type |
| T | Adjustable rotating arm with roller type |
| D | Flexible rocker type |
| J | Adjustable metal rocker type |
| H1 | Fork type with 2 rollers at same direction |
| H2 | Fork type with the left roller forwardly and the right roller backwardly mounted |
| H3 | Fork type with the right roller forwardly and the left roller backwardly mounted |
| W | Free-directions type |

| Operating performances | Model | YBLX-K3/20 $\frac{S}{H}$ /Z | YBLX-K3/20 $\frac{S}{H}$ /B | YBLX-K3/20 $\frac{S}{H}$ /D | YBLX-K3/20 $\frac{S}{H}$ /H1 | YBLX-K3/20 $\frac{S}{H}$ /W |
|------------------------|-------|-----------------------------|-----------------------------|-----------------------------|------------------------------|-----------------------------|
| | | YBLX-K3/20 $\frac{S}{H}$ /L | YBLX-K3/20 $\frac{S}{H}$ /T | | YBLX-K3/20 $\frac{S}{H}$ /H2 | |
| OF(max) | | 30N | 0.3Nm | 0.3Nm | 0.2Nm | 0.038Nm |
| RF(min) | | 5N | 0.06Nm | 0.03Nm | - | 0.015Nm |
| PT(max) | | 3mm | 30° | 30° | 80° | 30° |
| MD(max) | | 1.2mm | 15° | 20° | 60° | 15° |
| TTP(max) | | 6.0mm | 60° | 50° | 90° | - |

| | |
|--|--|
| Protection degree | IP52 |
| Rated voltage (V) | AC 380V DC220V |
| Rated current | AC 5A DC0.15A |
| Operating frequency (operations/minute) | 20 |
| Mechanical life (operations) | Z 60X10 ⁴ H1 60X10 ⁴ |
| Electric life (operations) | AC 150X10 ⁴ DC 20X10 ⁴ |
| Environmental temperature | -5°C ~ +40°C |
| Relative humidity | ≤90% |
| Altitude | ≤2000m |
| Voltage withstand | Between terminals of same polarity (AC 1140V) Between electrified components and earth (AC 2500V) |
| Application range | Manipulation, control, limit, signal, interlock in control circuits and auxiliary circuits. Its typical purpose is to control the AC and DC electromagnetic. |
| Standard | IEC60947-5-1 |

YBLX-K3/20S/Z

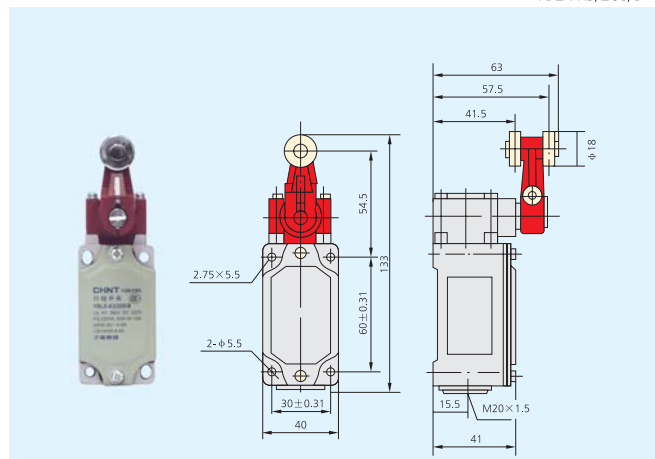
YBLX-K3/20H/D

YBLX-K3/20S/W

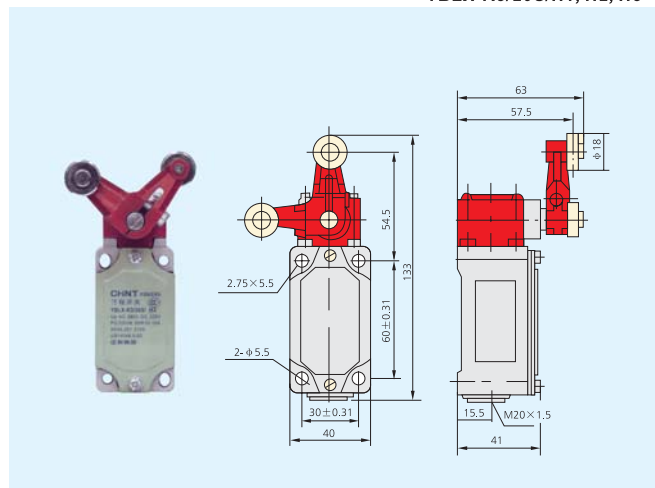
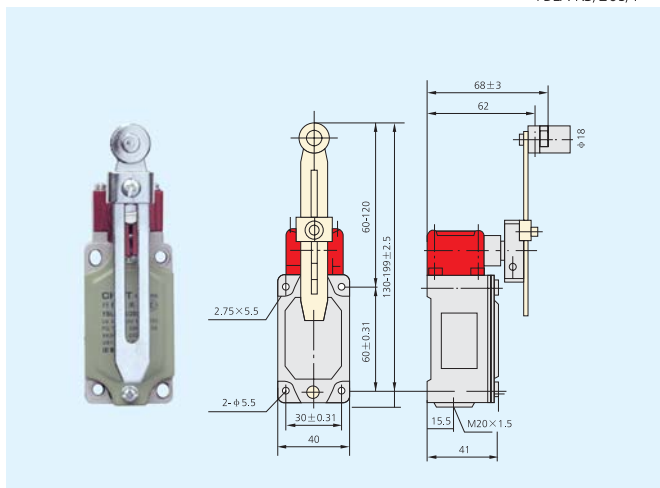
YBLX-K3/20S/B




YBLX-K3/20S/T



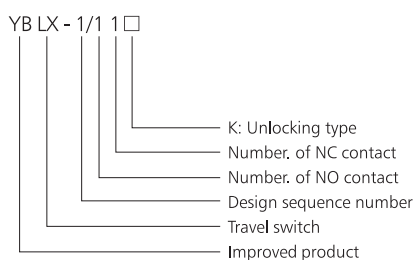
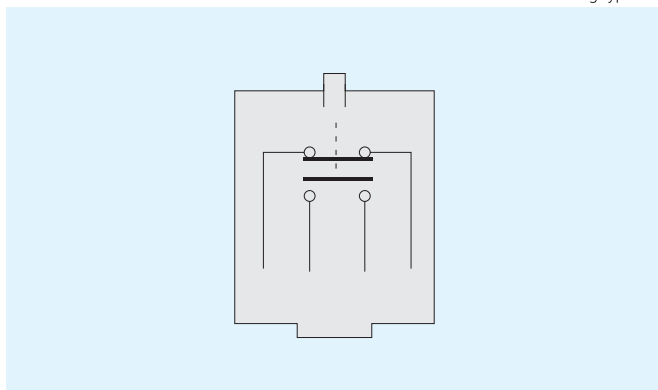
YBLX-K3/20S/H1, H2, H3



| | |
|---|---|
|  |  |
| Ukrain | USA |
|  |  |

YBLX-1 Travel Switch

Contacting types



| | |
|--|--|
| Conventional heating current (A) | 5A |
| Rated voltage (V) | AC 380V DC220V |
| Rated current | AC 0.53A DC0.23A |
| Operating frequency(operations/minute) | 3 |
| Mechanical life (operations) | 300x10 ⁴ |
| Electric life (operations) | 30x10 ⁴ |
| Environmental temperature | -25℃ ~ +40℃ |
| Relative humidity | ≤90% |
| Altitude | ≤2000m |
| Operating travel | 7±2mm |
| Over Travel | ≥1mm |
| Operating force | ≤30N |
| Voltage withstands | Between terminals of the same polarity (1140V) |
| | Between electrified components and earth (2500V) |
| | Between terminals and un-electrified metal components (2500V) |
| Application range | To control travel of operating structure of which speed is no less than 0.1ms or to change its operating direction and speed |
| Standard | IEC60947-5-1 |

YBLX-1/01K



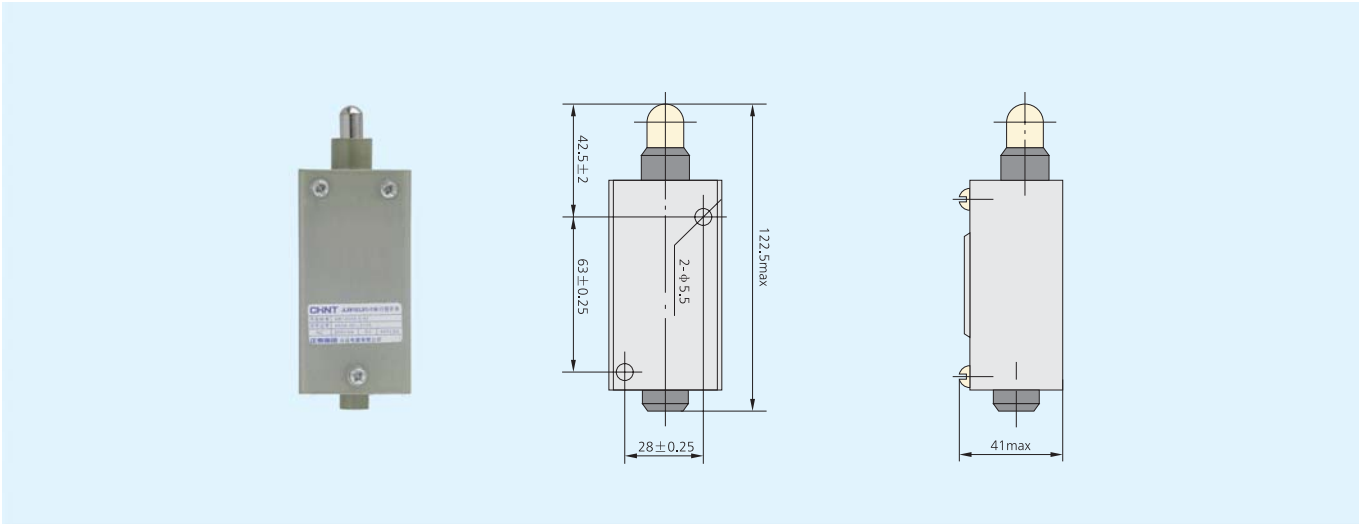
YBLX-1/02K



YBLX-1/11K



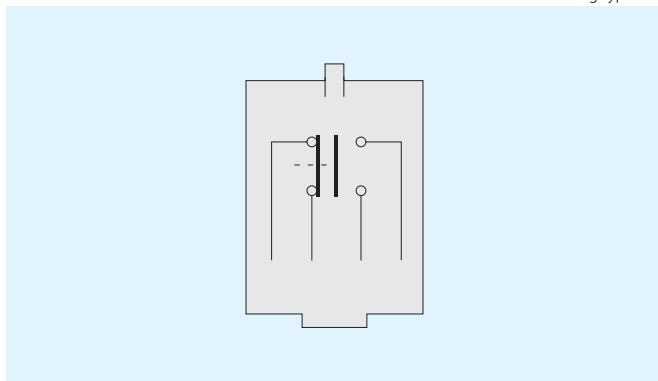
YBLX-1/11H





YBLX-2 Travel Switch

Contacting types



YBLX-2/□□□□

- A: modified structure
- 1: automatic reset
- 1: roller mounted in interior part
- "2" roller mounted in the middle part
- "3" roller mounted in exterior part
- 1: single roller; 2: double rollers.
- Design sequence number
- Travel switch
- Improvect product

| | |
|--|---|
| Conventional heating current | 10A |
| Rated voltage | AC 380V |
| Rated current | AC 2A |
| Operating frequency(operations/minute) | 3 |
| Mechanical life | 50x10 ⁴ |
| Electric life | 20x10 ⁴ |
| Environmental temperature | -25℃~+40℃ |
| Relative humidity | ≤90% |
| Altitude | ≤2000m |
| Operating travel | ≤20° |
| Over Travel | ≥3° |
| Operating force | ≤40N |
| Voltage withstands | Between terminals of the same polarity (1140V) |
| | Between electrified components and earth (2500V) |
| | Between terminals and un-electrified metal components (2500V) |
| Application range | Control travel of operating mechanism or change its moving direction or speed |
| Standard | IEC60947-5-1 |

| Model | Structure and mounting of transmission |
|------------|---|
| YBLX-2/111 | 1 roller mounted inside of "—" shape handspike |
| YBLX-2/121 | 1 roller mounted inside of the groove of "—" handspike |
| YBLX-2/131 | 1 roller mounted outside of "—" shape handspike |
| YBLX-2/222 | 2 roller mounted inside of "人" shape handspike |
| YBLX-2/232 | 2 rollers mounted on "人" shape handspike, with one inside and the other outside |

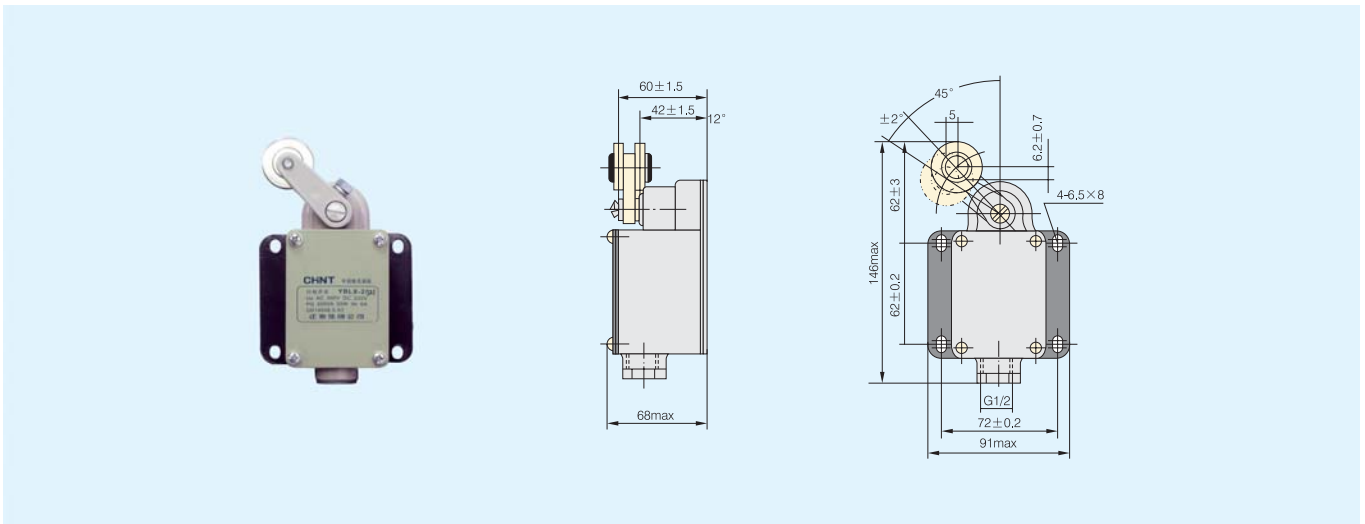
YBLX-2/111

YBLX-2/131

YBLX-2/212、222、232



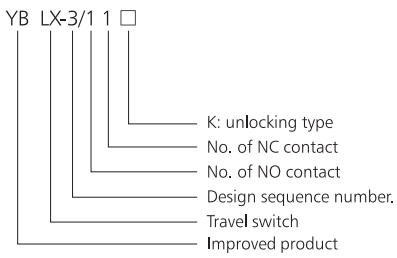
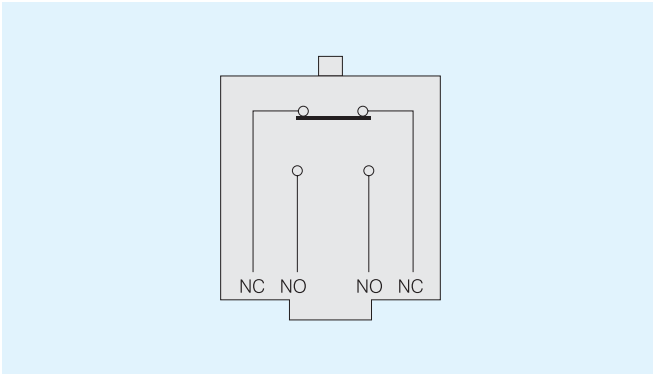
YBLX-2/121





YBLX-3 Travel Switch

Contacting types

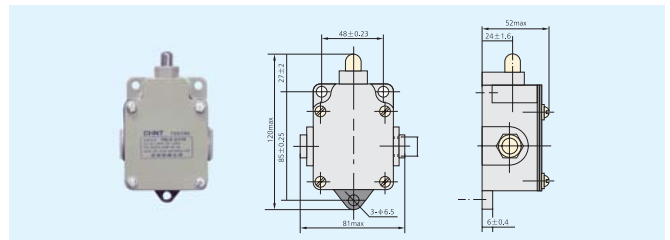


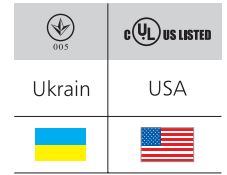
| | |
|--|---|
| Conventional heating current | 5A |
| Rated voltage | AC 380V DC220V |
| Rated current | AC 0.79A DC0.27A |
| Operating frequency(operations/minute) | 3 |
| Mechanical life(operations) | 60x10 ⁴ |
| Electric life(operations) | 30x10 ⁴ |
| Environmental temperature | -25℃ ~ +40℃ |
| Relative humidity | ≤90% |
| Altitude | ≤2000m |
| Operating travel | ≤15mm |
| Over Travel | 1mm |
| Operating force | ≤30N |
| Voltage withstands | Between terminals of the same polarity (1140V) |
| | Between electrified components and earth (2500V) |
| | Between terminals and un-electrified metal components (2500V) |
| Application range | To control travel of operating structure of which speed is no less than 0.1 meter/min, or to change operating direction or speed. |
| Standard | IEC60947-5-1 |

YBLX-3/11K



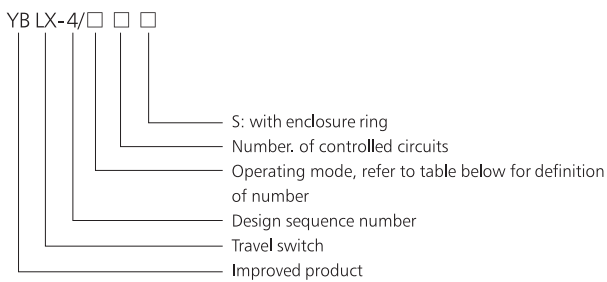
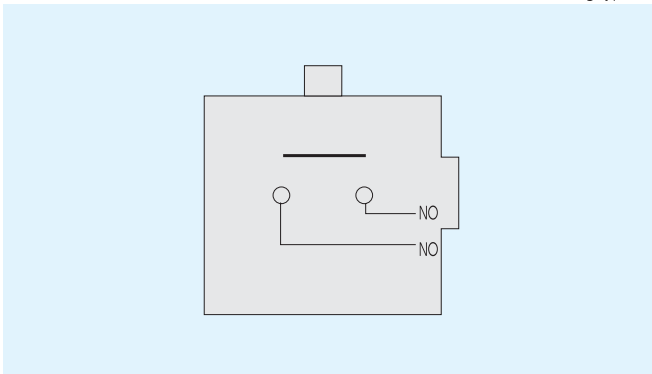
YBLX-3/11H





YBLX-4 Travel Switch

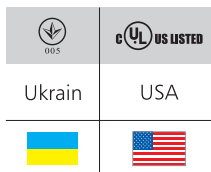
Contacting types



| | |
|---|------------------|
| Conventional heating current (A) | 20A |
| Rated voltage (V) | AC 380V DC220V |
| Rated current | AC 2.63A DC0.82A |
| Operating frequency(operations/minute) | 2.5 |
| Altitude | ≤2000m |
| Environmental temperature | -30℃ ~ +40℃ |
| Relative humidity | ≤85% |

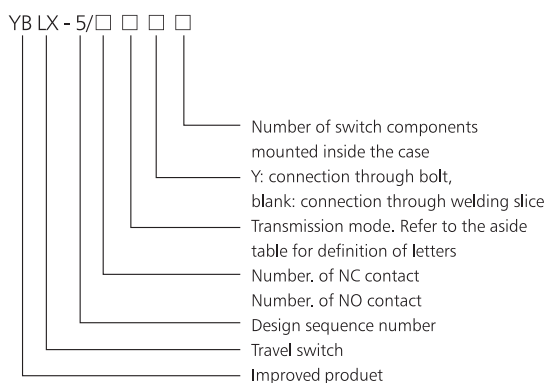
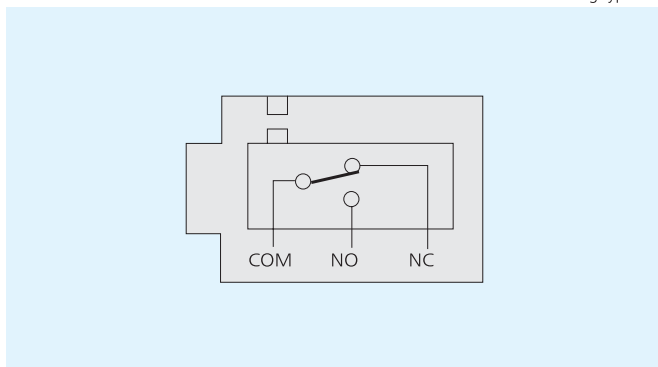
| Digital code | Operating mode | Applicable occasions |
|--------------|---|--|
| 1 | Operation of single arm with roller | Translating mechanism with normal inertial travel distance |
| 2 | Actuate 2 rotating positions of fork arm with roller | Translating units with large inertial travel distance |
| 3 | Actuate lever on-load with balanced hammer | Lifting units |
| 4 | Actuate 3 position-change-over devices with trinacri form arm | Translating units with 3 actuating positions |
| 6 | Actuate 2 position-change-over devices with roller-equipped double arms | Translating units with fast speed |





YBLX-5 Travel Switch

Contacting types



| Letter | Designation |
|--|--|
| D | Projecting button type |
| Q | Protective type |
| H | With buffering spring type |
| G1 | Short lever transmission type |
| G2 | Long lever transmission type |
| N1 | Short lever with roller type |
| N2 | Long lever with roller type |
| Blank: | the common type |
| Conventional heating current (A) | 3A |
| Rated voltage (A) | AC 380V DC 220V |
| Rated current | AC 0.26A DC 0.14A |
| Operating frequency(operations/minute) | 40 |
| Mechanical life (operations) | 60×10^4 |
| Electric life (operations) | 30×10^4 |
| Environmental temperature | $-25^{\circ}\text{C} \sim +40^{\circ}\text{C}$ |
| Altitude | $\leq 2000\text{m}$ |
| Voltage withstands | Between electrified components and earth (2500V) Between electrified components of different polarity (1140V) |
| Application range | Applied in control circuits to control the travel |
| Standards | IEC60947-5-1 |

| Model | OF | RF | OT |
|--------------|------------|-------------|--------------|
| YBLX-5/11 | $\leq 10N$ | $\geq 1N$ | $\geq 0.2mm$ |
| YBLX-5/11D | $\leq 10N$ | $\geq 1N$ | $\geq 1mm$ |
| YBLX-5/11H | $\leq 10N$ | $\geq 1N$ | $\geq 2mm$ |
| YBLX-5/11N1 | $\leq 7N$ | $\geq 0.5N$ | $\geq 2mm$ |
| YBLX-5/11N2 | $\leq 7N$ | $\geq 0.5N$ | $\geq 2mm$ |
| YBLX-5/11G1 | $\leq 4N$ | $\geq 0.5N$ | $\geq 1mm$ |
| YBLX-5/11G2 | $\leq 3N$ | $\geq 0.5N$ | $\geq 0.5mm$ |
| YBLX-5/11Q/1 | $\leq 25N$ | $\geq 5N$ | $\geq 1mm$ |

YBLX-5/11D



YBLX-5/11N



YBLX-5/11



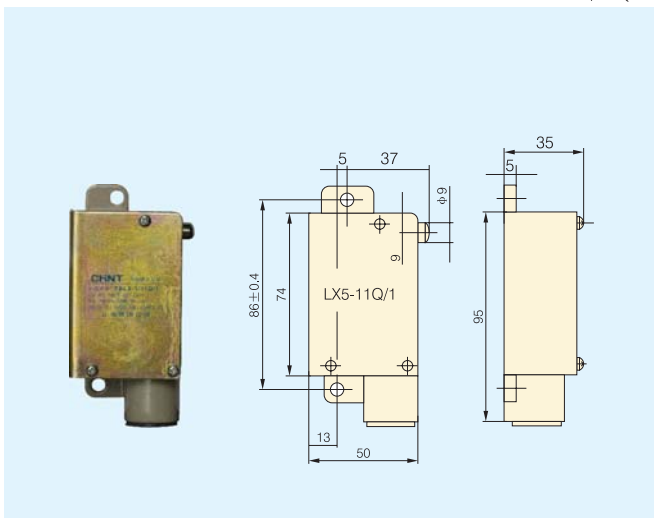
YBLX-5/11N1



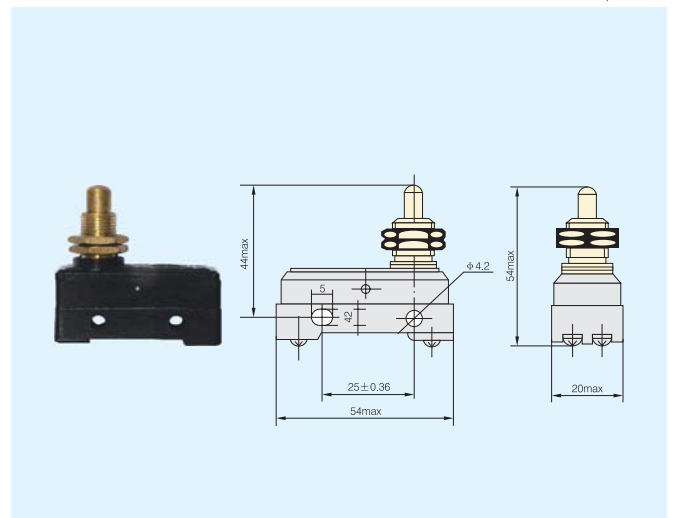
YBLX-5/11N2



YBLX-5/11Q/1



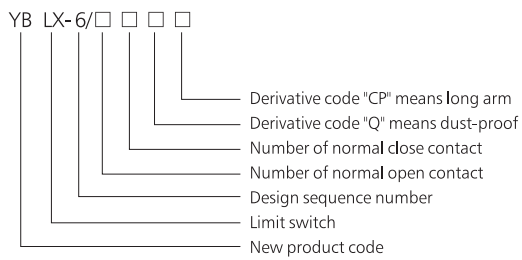
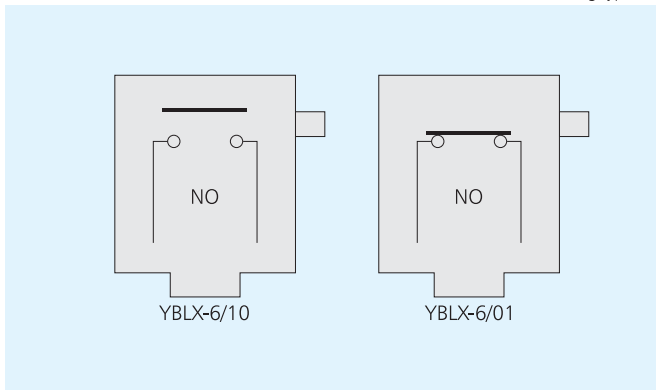
YBLX-5/11H





YBLX-6 Travel Switch

Contacting types

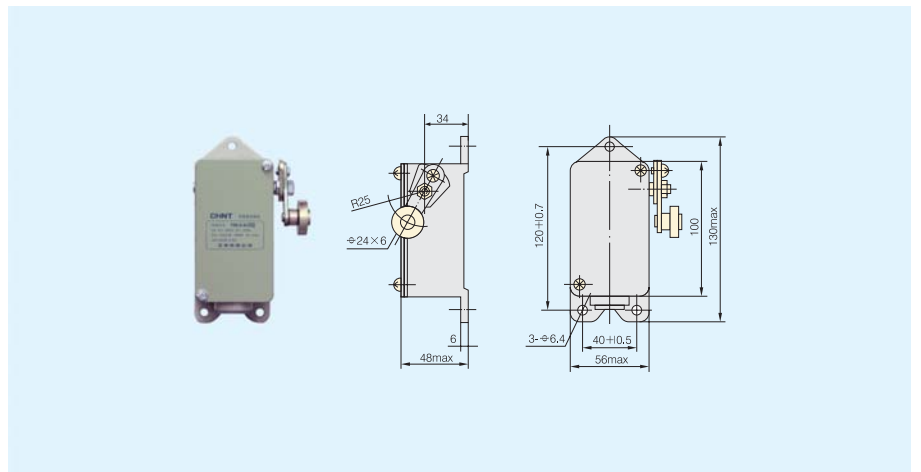


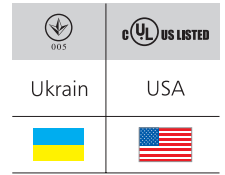
| | |
|------------------------------|---|
| Protect degree | IP42 |
| Conventional heating current | 20A |
| Rated voltage | AC 380V DC 220V |
| Rated current | AC 2.63A DC 0.91A |
| Operating frequency | 10 times/Minute |
| Environmental temperature | -25℃~+40℃ |
| Relative humidity | V/90% |
| Altitude level | V/2000m |
| Application range | Control operating structure of machine tool and mechanism |
| Standards | IEC 60947-5-1 |

YBLX-6/10Q, YBLX-6/01Q



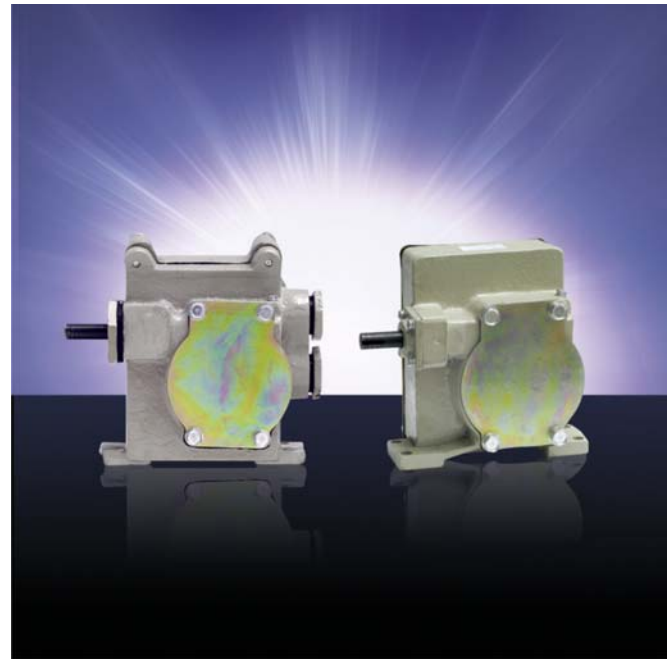
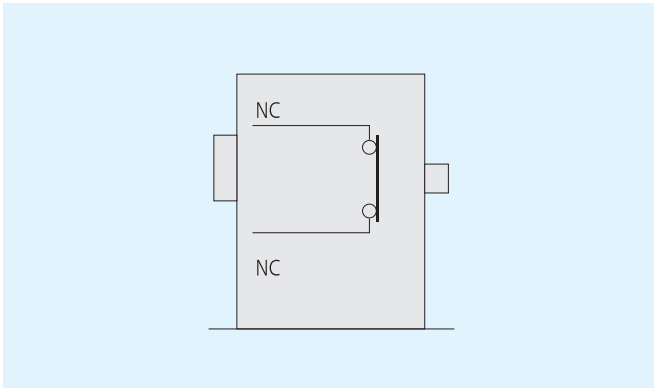
YBLX-6/10QCP, YBLX-6/01QCP





YBLX-7 Travel Switch

Contacting types

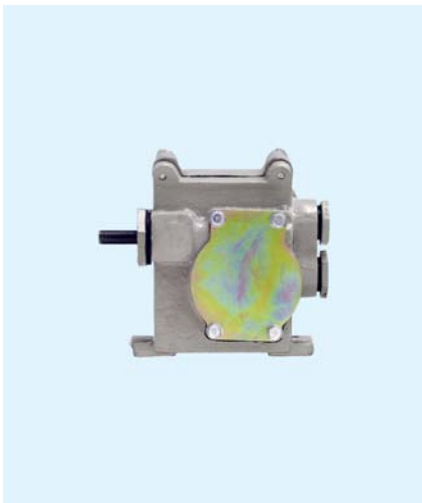


YB LX-7/□ □

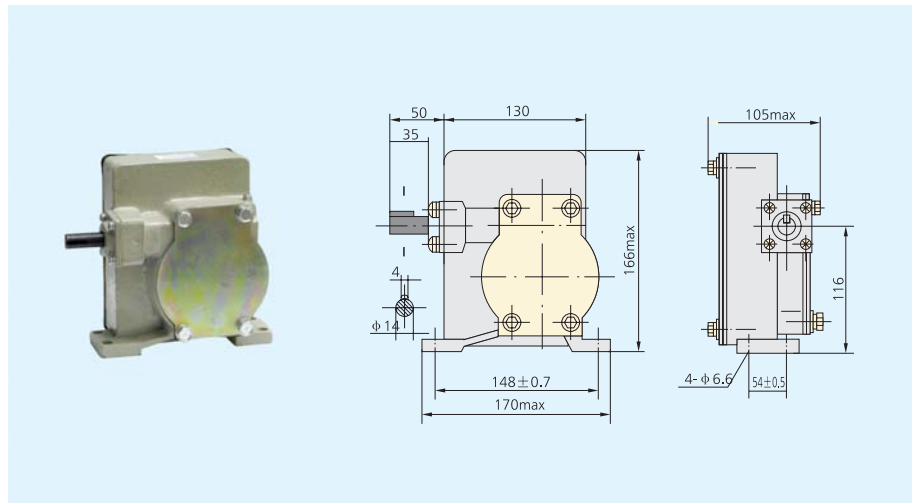
- Improved product
- Travel switch
- Design sequence number
- 1,2: No. of circuits
- S: with enclosure ring

| | |
|------------------------------|--|
| Conventional heating current | 20A |
| Rated voltage | AC 380V DC220V |
| Rated current | AC 3.95A DC0.55A |
| Transmission ratio | 1: 50 |
| Number of circuits | LX7-1, LX7-1S 1 LX7-2, LX7-2S 2 |
| Application range | Limitation on lifting mechanism travel of crane, terminal switch of automatic system or electric dragging device |
| Standards | IEC60947-5-1 |

YBLX-7/2、YBLX-7/2S



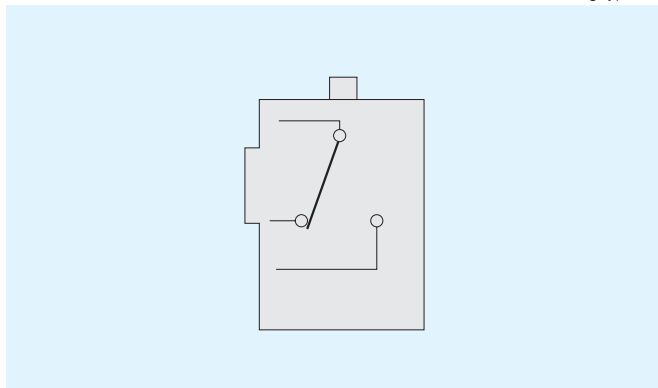
YBLX-7/1、YBLX-7/1S





YBLX-8 Travel Switch

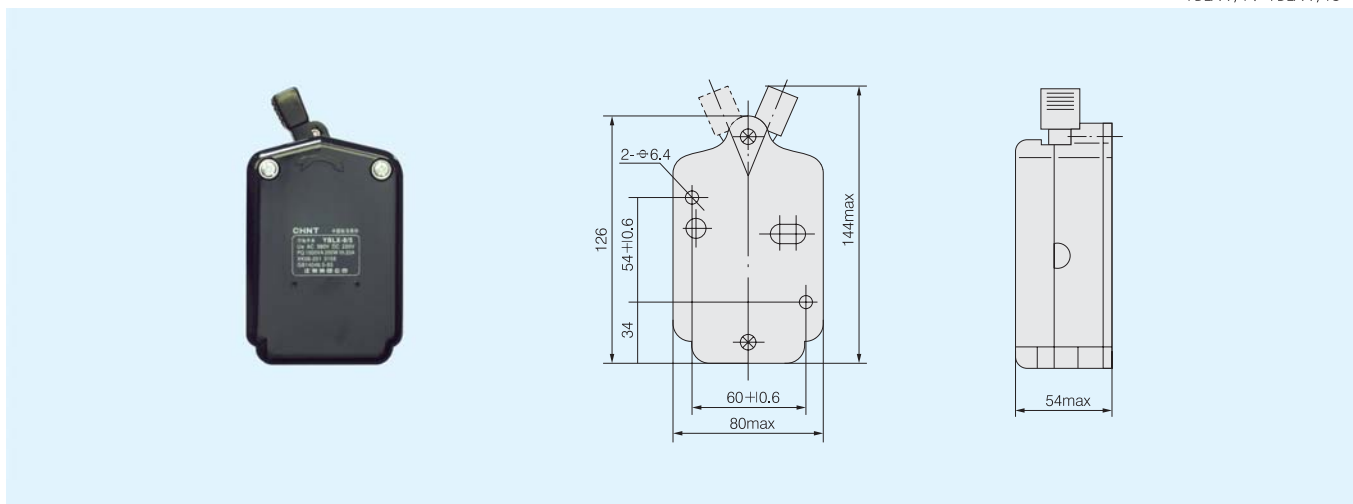
Contacting types



| | |
|------------------------|--|
| Protect degree | IP52 |
| Rated breaking current | 20A |
| Rated voltage | AC 380V DC220V |
| Rated current | AC 1000VA DC200W |
| Application range | Control electric circuits and security operation |
| Standard | GB14048.5-93 |

| | |
|----------|---------------------|
| YBLX-8/5 | Without coil device |
|----------|---------------------|

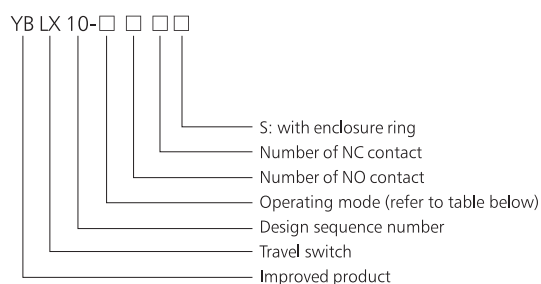
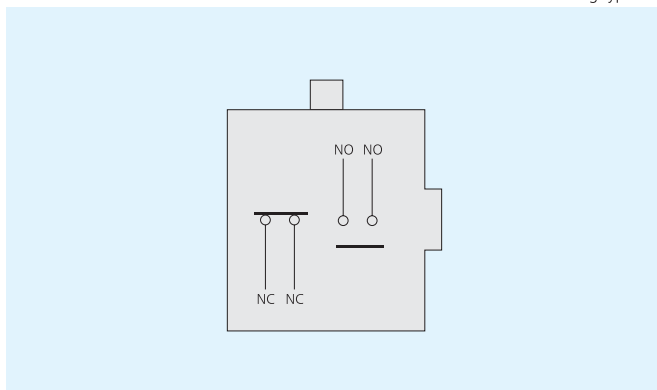
YBLX-7/1、YBLX-7/15





YBLX-10 Travel Switch

Contacting types

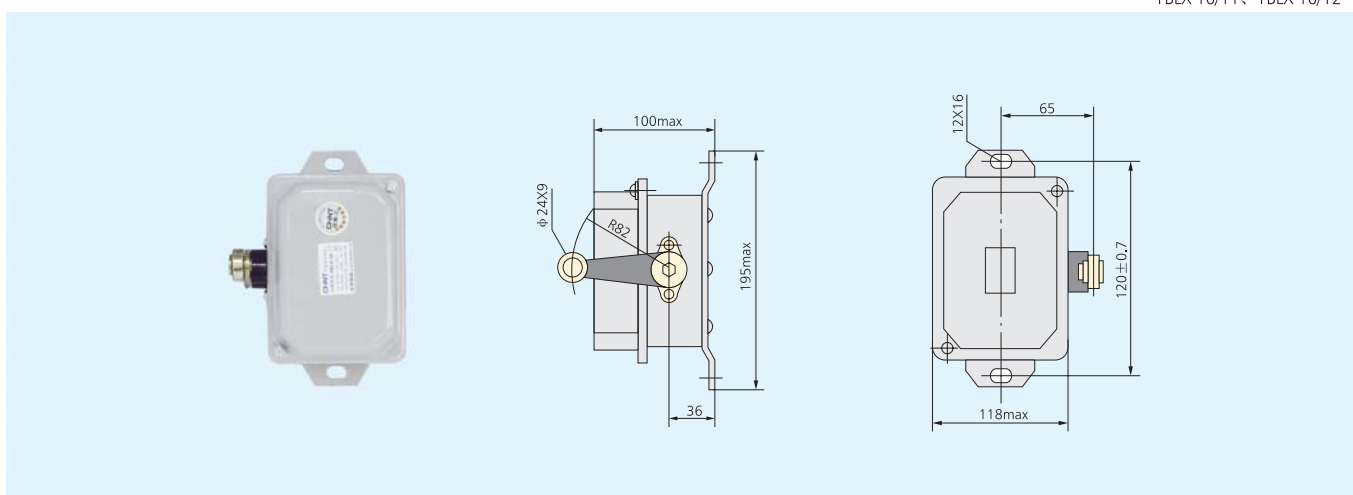


| Number code | Operating mode |
|-------------|---|
| 1 | Operating arm with single roller |
| 2 | Fork type operating arm with double rollers |
| 3 | Operating arm through on-load hammer |
| 4 | Trinacriform operating arm |
| 5 | Rocker arm with roller through hammer |
| 6 | With 2 operating arms on both two sides of the case |

| | |
|--|---|
| Conventional heating current | 10A |
| Rated voltage | AC 380V DC 220V |
| Rated current | AC 0.79A DC 0.091A |
| Operating frequency(operations/munite) | 6 |
| Environmental temperature | -25°C ~ +40°C |
| Relative humidity | ≤85% |
| Altitude level | ≤2000m |
| Application range | Terminal protection of mechanism travel in control circuits |
| Standards | IEC60947-5-1 |

| Model | Purpose |
|-----------------------|--|
| YBLX-10/11、12、11S、12S | For transmission mechanism with large inertial travel distance |
| YBLX-10/21、22、21S、22S | For transmission mechanism with large inertial travel distance |
| YBLX-10/31、32、31S、32S | For limit the travel of lifting mechanism |
| YBLX-10/41、42、41S、42S | For transmission mechanism with 3 operating positions |
| YBLX-10/51、52、51S、52S | For transmission mechanism with normal speed |
| YBLX-10/61、62、61S、62S | For transmission mechanism with fast speed |

YBLX-10/11、YBLX-10/12



YBLX-10/11S、YBLX-10/12S

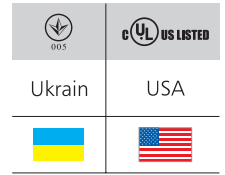


YBLX-10/21、YBLX-10/22



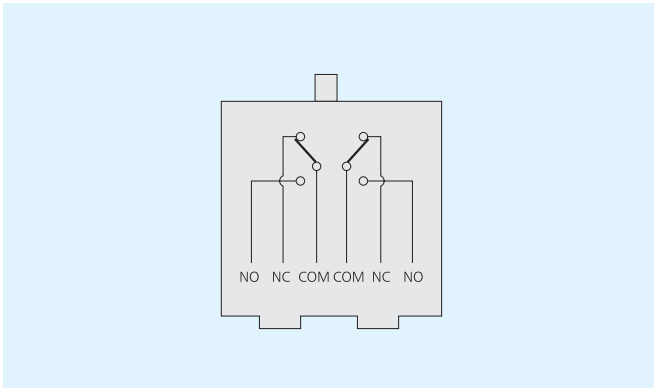
YBLX-10/31、YBLX-10/32



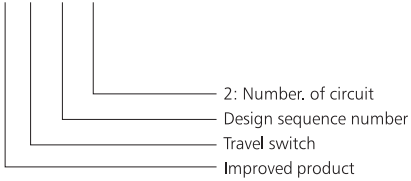


YBLX-12 Travel Switch

Contacting types



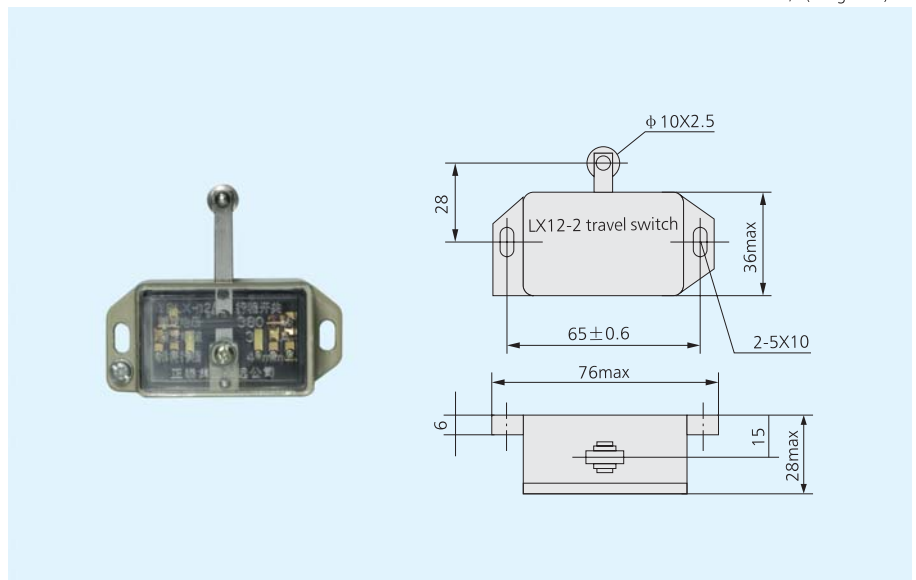
YBLX-12/□



| | |
|------------------------------|------------------|
| Rated voltage | 380V |
| Conventional heating current | 3A |
| PT | ≤7mm |
| Rated current | AC 0.26A DC0.14A |
| OT | ≥1mm |
| OF | ≤16N |
| RF | ≥2.45N |
| Standard | IEC60947-5-1 |

YBLX-12/2

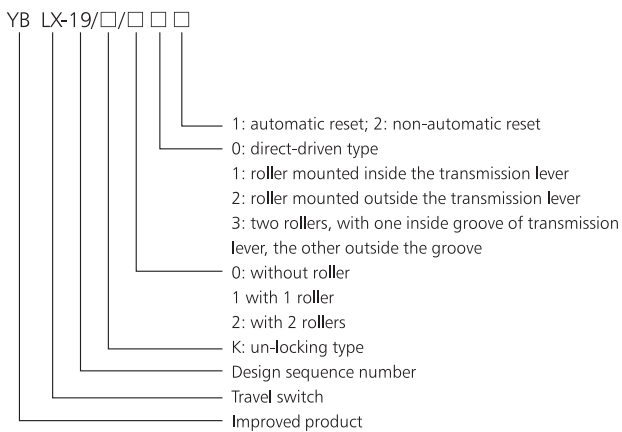
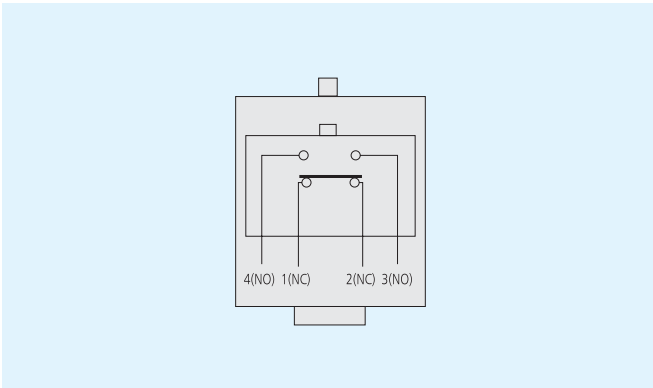
YBLX-12/2(Long lever)





YBLX-19 Travel Switch

Contacting types

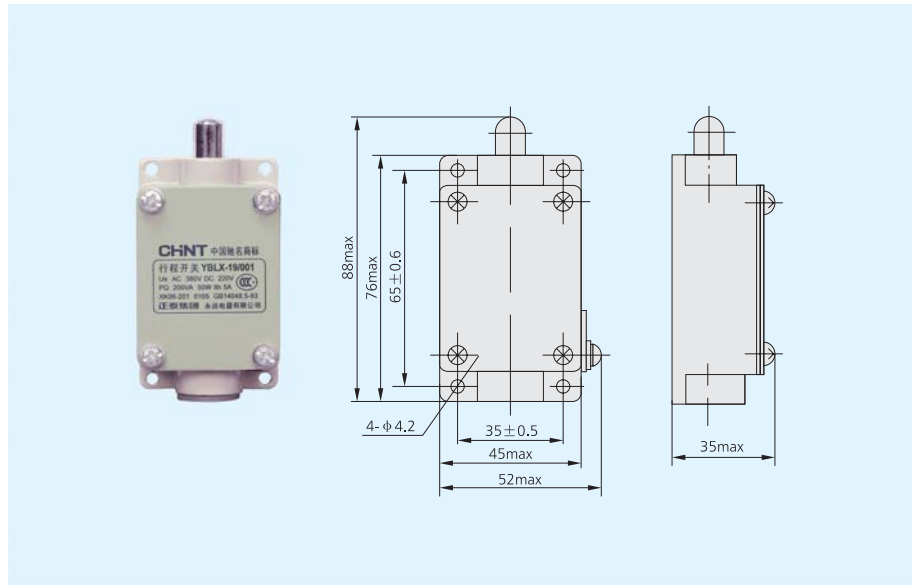


| | |
|--|---|
| Protection degree | Ip52 |
| Conventional heating current | 5A |
| Rated voltage | AC 380V DC220V |
| Rated current | AC 0.79A DC0.1A |
| Operating frequency(operations minute) | 20 |
| Lasting ratio of electrification | 40% |
| Mechanical life (operations) | 60x10 ⁴ |
| Electric life (operations) | 30x10 ⁴ |
| Environmental temperature | -25℃ ~ +40℃ |
| Relative humidity | ≤90%(20℃) |
| Altitude level | ≤2000m |
| Voltage withstand | Between terminals of the same polarity (1140V) |
| | Between electrified components and earth (2500V) |
| | Between terminals and un-electrified metal components (2500V) |
| Application range | It is applied to control travel of operating mechanism, or to change its moving direction and speed |
| Standard | IEC60947-5-1 |

| Operating performances | Model | YBLX-19/K | YBLX-19/001 | YBLX-19/111 YBLX-19/121 YBLX-19/131 | YBLX-19/212 YBLX-19/222 YBLX-19/232 |
|------------------------|---------|-----------|-------------|---|---|
| | OF(max) | | 10N | 16N | 20N |
| RF(min) | | 1N | 1.5N | 2.5N | |
| PT(max) | | 5mm | 7mm | 45° | 80° |
| MD(max) | | 3mm | 3.5mm | 25° | |
| OT(min) | | 0.6mm | 2mm | 15° | - |

YBLX-19/K

YBLX-19/001



YBLX-19/111

YBLX-19/121

YBLX-19/131

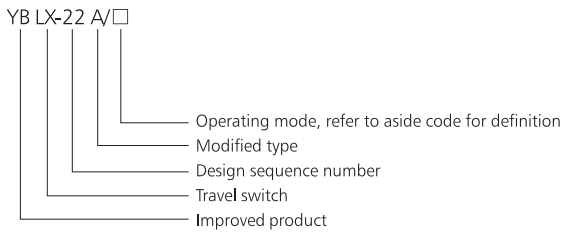
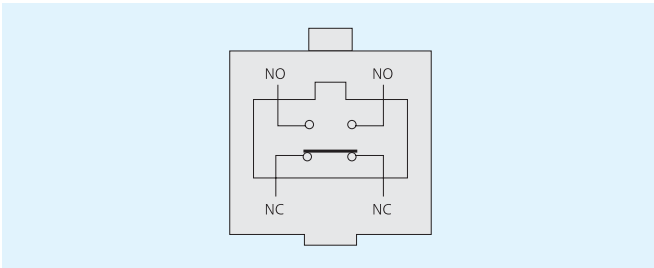
YBLX-19/212、222、232





YBLX-22A Travel Switch

Contacting types

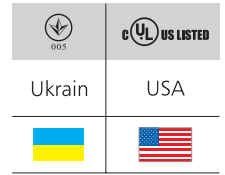


| Number code | Operating mode |
|-------------|-------------------------------------|
| 1 | Single arm with roller |
| 2 | "Fork" type arm with double rollers |
| 4 | Hammer type |

| | |
|------------------------------|---|
| Protection degree | IP42 |
| Conventional heating current | 20A |
| Rated voltage | AC 380V DC220V |
| Rated current | AC 20A DC0.2A |
| Altitude | ≤2000m |
| Environmental temperature | -25℃~+40℃ |
| Relative humidity | ≤80% |
| Application range | Limit travel of lift and all kinds of machinery |
| Standard | IEC60947-5-1 |

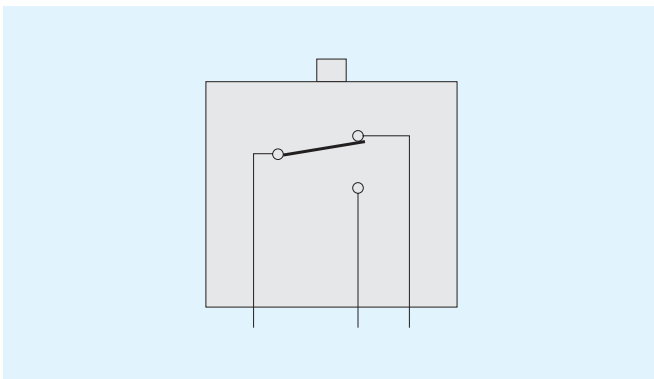
| Model | Purpose |
|-----------|---|
| YBLX-22/1 | Single arm with roller, for transmission mechanism with normal inertial travel distance |
| YBLX-22/2 | Fork type arm with double rollers, for transmission mechanism with large inertial travel distance |
| YBLX-22/3 | Hammer type, for lifting mechanism |





YBLX-29 Travel Switch

Contacting types



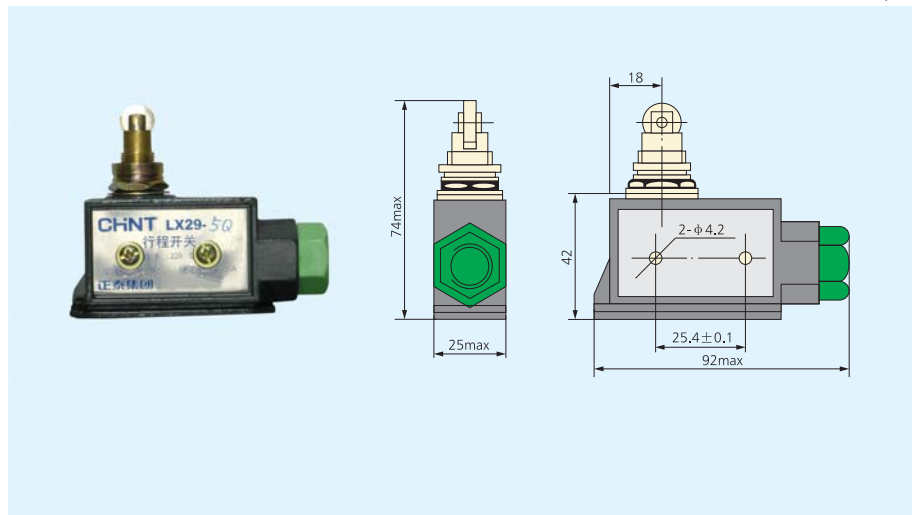
- YB LX-29/□□□□
- Number code
 - 1: down-lead of connection board, 2: short lever, 3: long lever, 4: front mounting, 5: mounting on board
 - Auxiliary code: "Q" dust-proof, "H" buffer
 - Number code
 - Operating mode, refer to aside table for designations
 - Design sequence number
 - Travel switch
 - Improved product

| Number code | Operating mode |
|-------------|--------------------------|
| 1 | Plunger type |
| 2 | Single arm with roller |
| 3 | Two sections roller type |
| 4 | High plunger type |
| 5 | Roller plunger type |
| 6 | Lever type |
| 7 | Roller lever type |

YBLX-29/2Q/4



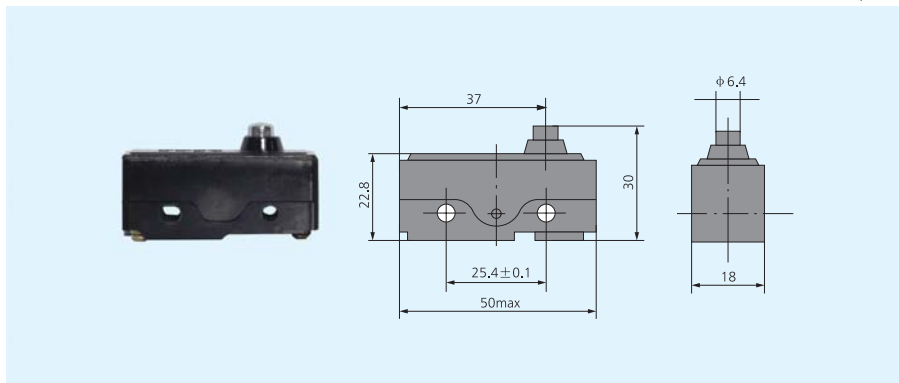
YBLX-29/5Q



YBLX-29/1/1



YBLX-29/1H



YBLX-29/5/5



YBLX-29/7/2



YBLX-29/7/3



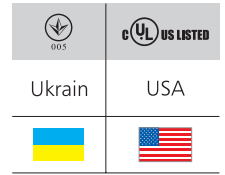
YBLX-29/4S/4



YBLX-29/2S

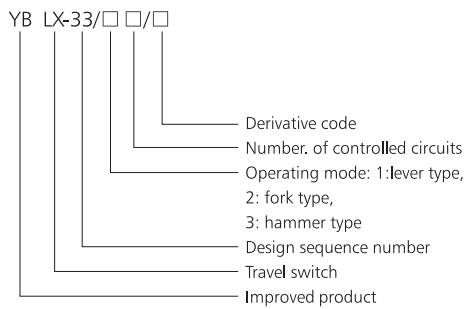
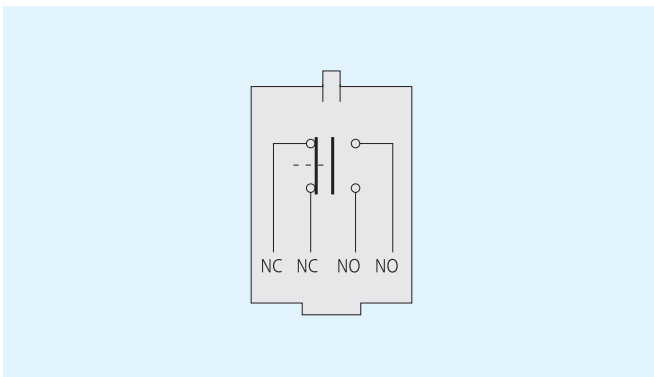


| Model | Mode | OF | RF | PT | OT | MT |
|--------------------------|---|-----|-----|-------|--------|---------|
| YBLX-29/1, YBLX-29/1/1 | Plunger type | ≤8 | ≥6N | ≤2mm | ≥0.1mm | ≤1.5mm |
| YBLX-29/1H, YBLX-29/1H/1 | Plunger type, buffering | ≤8 | ≥6N | ≤2mm | ≥0.1mm | ≤0.15mm |
| YBLX-29/2Q, YBLX-29/2Q/4 | Single arm with roller, dustproof | ≤16 | ≥5N | ≤7mm | ≥2mm | ≤0.4mm |
| YBLX-29/2S, YBLX-29/2S/4 | Single arm with roller, waterproof | ≤16 | ≥5N | ≤7mm | ≥2mm | ≤0.4mm |
| YBLX-29/3Q, YBLX-29/3Q/4 | With two sections of roller, dustproof | ≤16 | ≥5N | ≤7mm | ≥2mm | ≤0.4mm |
| YBLX-29/3S, YBLX-29/3S/4 | With two sections of roller, waterproof | ≤16 | ≥5N | ≤7mm | ≥2mm | ≤0.4mm |
| YBLX-29/4Q, YBLX-29/4Q/4 | Projecting plunger type, dustproof | ≤16 | ≥5N | ≤7mm | ≥2mm | ≤0.15mm |
| YBLX-29/4S, YBLX-29/4S/4 | Projecting plunger type, waterproof | ≤16 | ≥5N | ≤7mm | ≥2mm | ≤0.3mm |
| YBLX-29/4/5, YBLX-29/4/5 | Projecting plunger type | ≤8 | ≥6N | ≤5mm | ≥2mm | ≤0.15mm |
| YBLX-29/5Q, YBLX-29/5Q/4 | Plunger with roller, dustproof | ≤16 | ≥5N | ≤7mm | ≥2mm | ≤0.15mm |
| YBLX-29/5/5, YBLX-29/5/5 | Plunger with roller | ≤8 | ≥6N | ≤5mm | ≥2mm | ≤0.15mm |
| YBLX-29/6/2, YBLX-29/6/2 | Short lever type | ≤8 | ≥6N | ≤7mm | ≥2mm | ≤1.2mm |
| YBLX-29/6/3, YBLX-29/6/3 | Long lever type | ≤6 | ≥4N | ≤10mm | ≥2mm | ≤2.4mm |
| YBLX-29/7/2, YBLX-29/7/2 | Short lever with roller | ≤8 | ≥6N | ≤7mm | ≥2mm | ≤1.2mm |
| YBLX-29/7/3, YBLX-29/7/3 | Long lever with roller | ≤6 | ≥4N | ≤10mm | ≥2mm | ≤2.4mm |



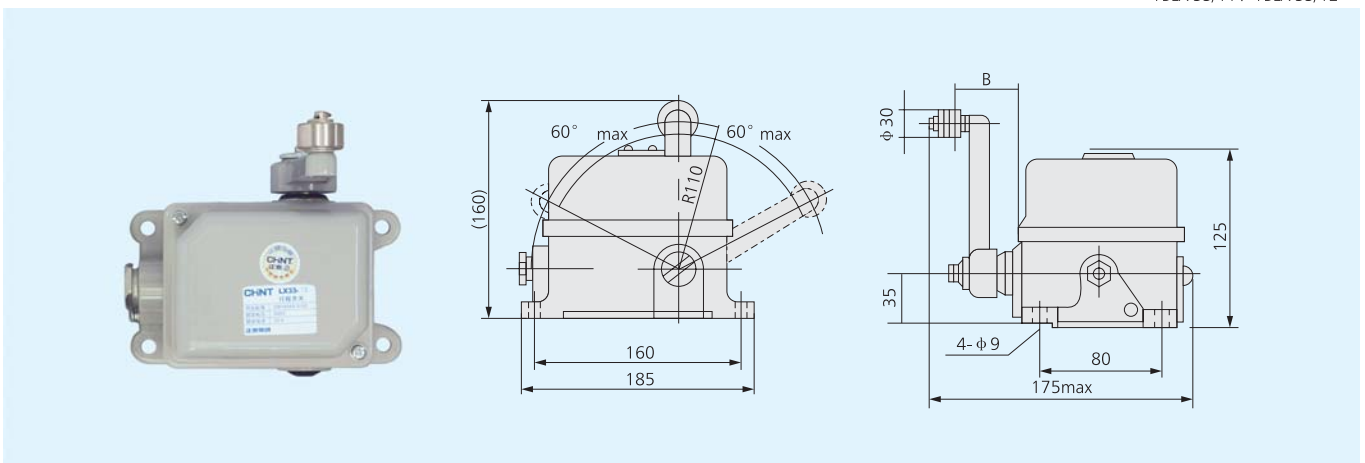
YBLX-33 Travel Switch

Contacting types

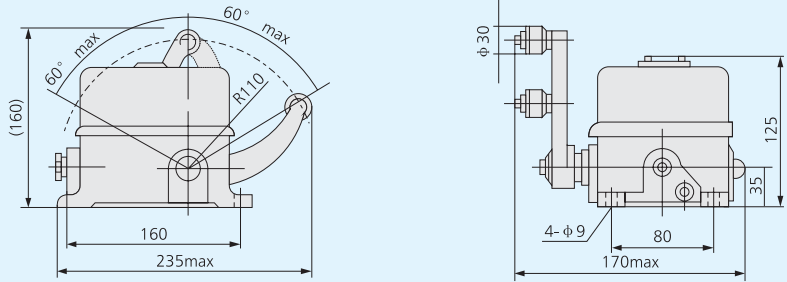


| | |
|----------------------------------|--|
| Protection degree | IP42 |
| Conventional heating current (A) | 20A |
| Rated voltage (V) | AC 380V DC220V |
| Rated current | AC 9.5A DC0.55A |
| Mechanical life (operations) | 60 × 10 ⁴ |
| Environmental temperature | -25°C ~ +40°C |
| Relative humidity | ≤ 90% |
| Application range | Travel limitation and terminal protect of lift's horizontal moving mechanism and rising moving in control circuits |
| Standard | IEC60947-5-1 |

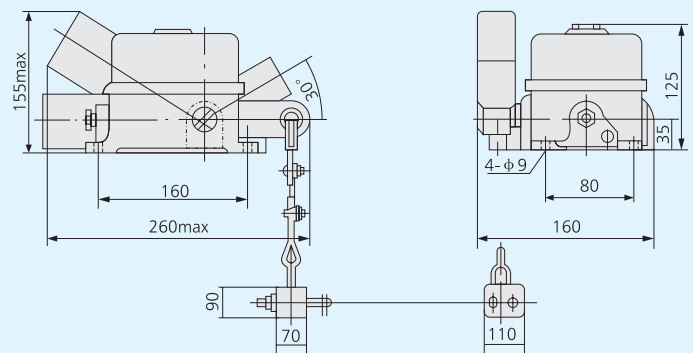
YBLX-33/11、YBLX-33/12

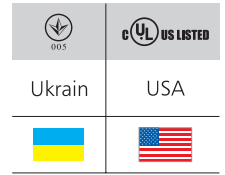


YBLX-33/21、YBLX-33/22



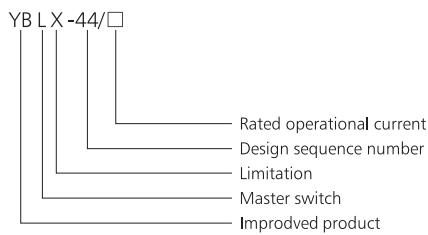
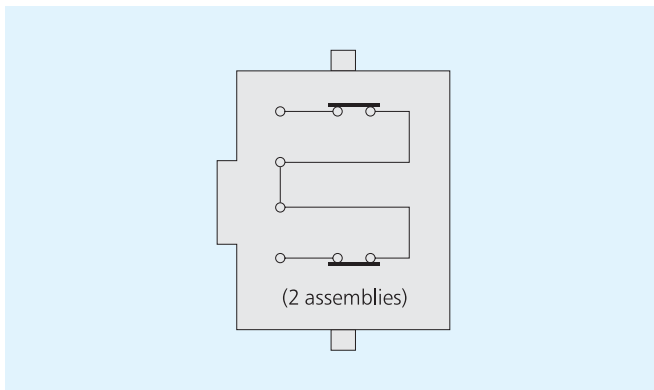
YBLX-33/31, 32





YBLX-44 Breaking Limitor

Contacting types



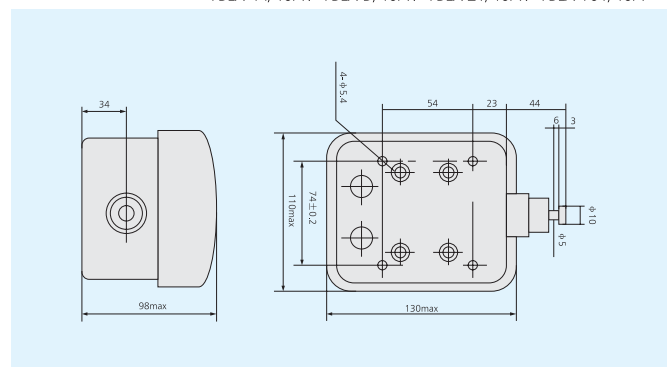
| | |
|---------------------------|--|
| Protection degree | IP42 |
| Rated operational voltage | AC 380V DC220V |
| Environmental temperature | -25℃ ~ +40℃ |
| Relative humidity | ≤85% |
| Altitude | ≤1500m |
| Application range | CD1, MD1 type of 0.5~10 ton normally apply on cable type electric block to realize limitation protection of lifting & falling movement, and can direct break the main circuit. |

| Model | Rated operational current | Max. Power of controllable motor | OT | Allowable OT | OP |
|------------|---------------------------|----------------------------------|---------|--------------|-------|
| YBLX-44/3 | 3A | 1.5kW | ≤8mm | ≥1mm | ≤15N |
| YBLX-44/10 | 10A | 4.5kW | 6~8mm | ≤3mm | ≤30N |
| YBLX-44/20 | 20A | 7.5kW | 8~10mm | ≤3mm | ≤50N |
| YBLX-44/40 | 40A | 13kW | 12~14mm | ≤3mm | ≤100N |

YBLX-44/10A, YBLX-D/10A, YBLX-Z1/10A, YBLX-101/10A

YBLX-44/20A, YBLX-D/20A, YBLX-Z1/20A, YBLX-101/20A

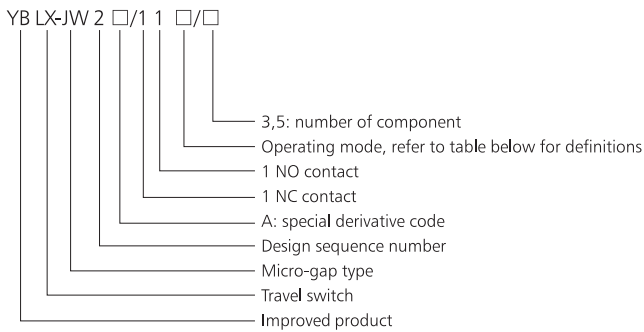
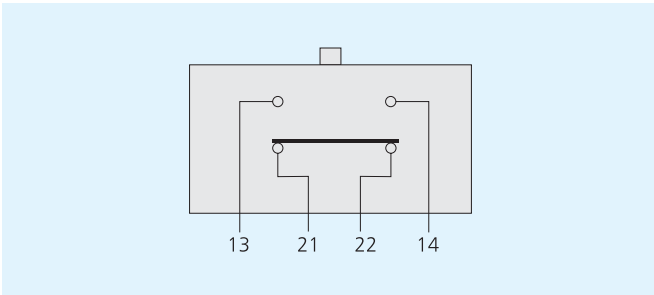
YBLX-44/40A, YBLX-D/40A, YBLX-Z1/40A, YBLX-101/40A





YBLX-JW2、JBLW-JW2B Travel Switch

Contacting types



| Letter code | Operating mode |
|-------------|----------------------------------|
| W1 | Drive of roller |
| W2 | Horizontally-driven type |
| L | Roller direct driven type |
| G | Roller & lever transmission type |
| Z | Combination type |
| H | Protection type |
| B | Simple protection type |

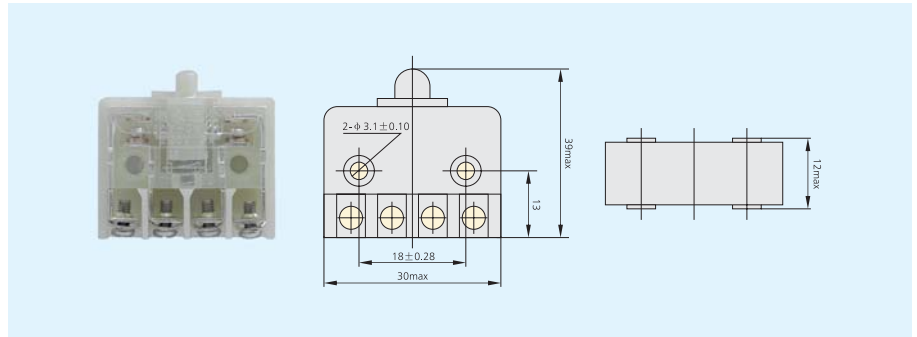
| | |
|---|---|
| Protection degree | IP52 |
| Rated voltage | AC 220V DC220V |
| Rated current | AC 3A DC0.42A |
| Mechanical life (operations) | 60X10 ⁴ 30X10 ⁴ |
| Electric life(operations) | 100X10 ⁴ |
| Operating frequency (operations/minute) | AC 40 DC 20 |
| Altitude | ≤2500m |
| Environmental temperature | -25℃ ~ +40℃ |
| Relative humidity | ≤90% |
| Voltage withstand | Between electrified components and the earth (2500V) Between electrified components of the same polarity (2500V) Between electrified components of the different polarity (1140V) |
| Application range | Control travel of operating mechanism or change its direction & speed |
| Standard | IEC60947-5-1 |

| Model | YBLX-JW2/11 | YBLX-JW2/11Z/3 | YBLX-JW2/11Z/5 | YBLX-JW2/11B |
|--------------------------|--------------|----------------|----------------|--------------|
| Operating performances | | | | |
| OF(max) | 3.5N | 7N | 7N | 7N |
| RF(min) | $\geq 0.8N$ | $\geq 35N$ | $\geq 35N$ | $\geq 35N$ |
| PT(max) | $2 \pm 1kg$ | $3 \pm 1kg$ | $3 \pm 1kg$ | $3 \pm 1kg$ |
| MD(max) | $\leq 2mm$ | $\leq 3mm$ | $\leq 3mm$ | $\leq 3mm$ |
| OT min) | $\geq 0.5mm$ | $\geq 2mm$ | $\geq 2mm$ | $\geq 2mm$ |
| Open-distance of contact | $\geq 0.6mm$ | $\geq 0.6mm$ | $\geq 0.6mm$ | $\geq 0.6mm$ |

| Model | YBLX-JW2A/11 | YBLX-JW2A/11H/W2 | YBLX-JW2A/11H/W1 | YBLX-JW2A/11H/G | YBLX-JW2A/11H/L |
|--------------------------|--------------|------------------|------------------|-----------------|-----------------|
| Operating performances | | | | | |
| OF(max) | 3.5N | 10N | 10N | 8N | 10N |
| RF(min) | $\geq 0.8N$ | $\geq 3N$ | $\geq 3N$ | $\geq 1N$ | $\geq 3N$ |
| PT(max) | $2 \pm 1kg$ | $\leq 5kg$ | $\leq 5kg$ | $\leq 6kg$ | $\leq 5kg$ |
| MD(max) | $\leq 2mm$ | $\leq 4mm$ | $\leq 4mm$ | $\leq 5mm$ | $\leq 4mm$ |
| OT min) | $\geq 0.5mm$ | $\geq 1.2mm$ | $\geq 2mm$ | $\geq 2mm$ | $\geq 2mm$ |
| Open-distance of contact | $\geq 0.6mm$ | $\geq 0.6mm$ | $\geq 0.6mm$ | $\geq 0.6mm$ | $\geq 0.6mm$ |

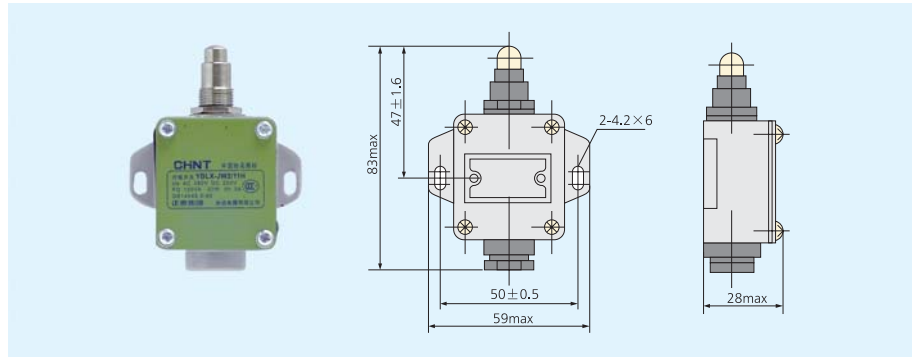
YBLX-JW2/11B

YBLX-JW2/11



YBLX-JW2/11H/G

YBLX-JW2/11H/W1



YBLX-JW2/11H/W2

YBLX-JW2/11Z/3

YBLX-JW2/11Z/5

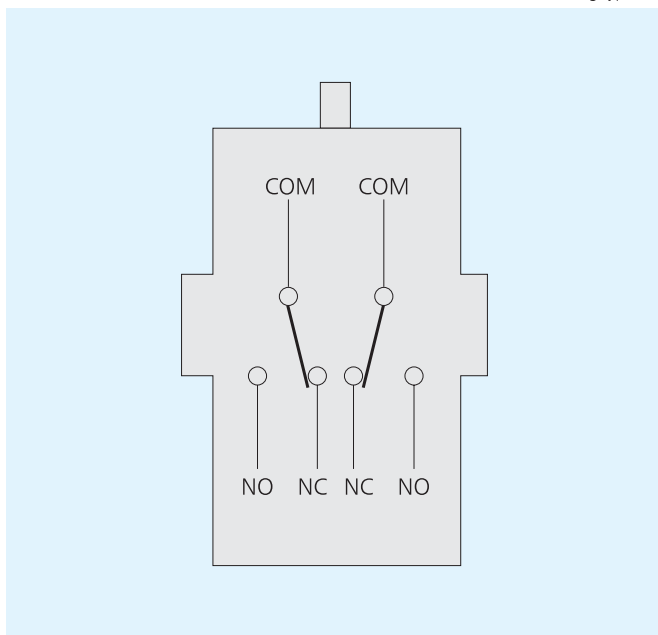
YBLX-JW2/11H/LH



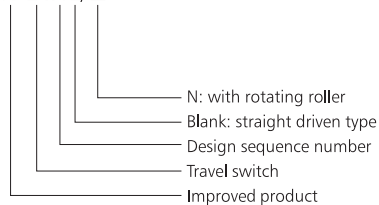


YBLX-X2 Travel Switch

Contacting types



YB LX-X 2/□

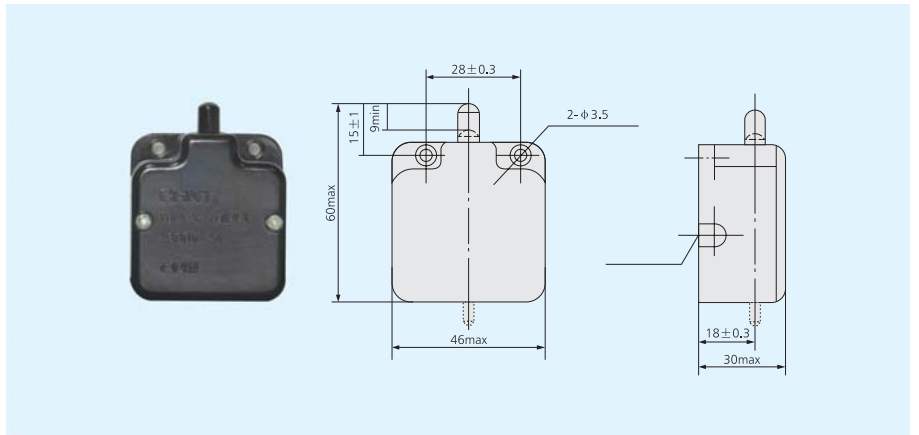


| | |
|----------------------------------|---|
| Conventional heating current (A) | 10A |
| Rated voltage (V) | AC 380V DC220V |
| Number of NO contact | 2 pairs |
| Number of NC contact | 2 pairs |
| Altitude | ≤2000m |
| Environment temperature | -25℃~+40℃ |
| Relative humidity | ≤85% |
| Mechanical life (operations) | 60 × 10 ⁴ |
| Electric life (operations) | 30 × 10 ⁴ |
| Voltage withstands | Between terminals of the same polarity (1140V) |
| | Between electrified components and earth (2500V) |
| | Between terminals and un-electrified metal components (2500V) |
| Contacts exchange time | ≤40ms |
| Application range | Travel control and limitation |
| Standard | IEC60947-5-1 |

| Operating performances | Model | YBLX-X2 | YBLX-X2-N |
|------------------------|-------|-------------|-------------|
| OF(max) | | $\leq 16N$ | $\leq 16N$ |
| PT(max) | | $\leq 10mm$ | $\leq 10mm$ |
| OT (mm) | | $\geq 1mm$ | $\geq 1mm$ |

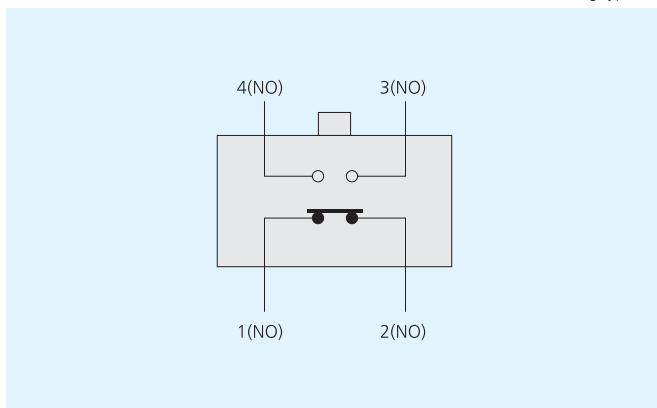
YBLX-X2/N

YBLX-X2

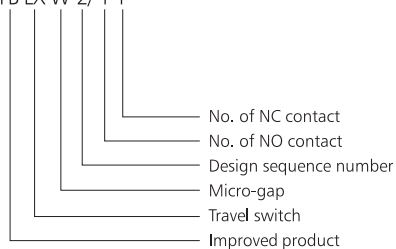


YBLXW-2 Micro-gap Switch

Contacting types



YBLXW-2/11



| Conventional heating current | 3A |
|--|--|
| Rated voltage | AC 380V DC 220V |
| Rated current | AC 0.79A |
| | DC 0.14A |
| Rated control capacity | AC 300VA DC 30W |
| Mechanical life(operations) | 60 × 10 ⁴ |
| Electric life(operations) | 30 × 10 ⁴ |
| Operating frequency(operations minute) | 40 |
| Environmental temperature | -5℃ ~ +40℃ |
| Relative humidity | ≤90% (20℃) |
| Altitude | ≤2000m |
| Electric clearance | ≥2.5mm |
| Creepage distance | ≥3mm |
| Voltage withstands | Between electrified components and the earth (2500V) |
| | Between electrified components of different polarity (1140V) |
| Operating travel | 2.5mm |
| OT | ≥0.2mm |
| MD | ≥1.6mm |
| OF | ≤5N |
| RF | ≤0.7N |
| Application range | Travel control, limitation protection, etc |
| Standard | IEC 60947-5-1 |

