

## Small, High-precision Enclosed Switch



- Small, High-precision Enclosed Switches with Built-in Basic Switches for High Repeatability and Durability of 10 Million Operations Minimum.
- Same mounting pitch as Z Basic Switch.
- Requires less operating force than conventional limit switches.
- Lineup includes modes with operation indicators for easy maintenance and inspection.
- Approved by EN, UL, CSA, and CCC (Chinese standard). (Ask your OMRON representative for Information on approved models.)



For the most recent information on models that have been certified for safety standards, refer to your OMRON website.

Be sure to read *Safety Precautions* on page 8 and *Safety Precautions for All Limit Switches*.

## Model Number Structure

### Model Number Legend

ZC-□55  
(1)

**(1) Actuator**

- D: Plunger
- Q: Panel mount plunger
- Q22: Panel mount roller plunger
- Q21: Panel mount crossroller plunger
- N22: Sealed roller plunger
- N21: Sealed crossroller plunger

- W: Short hinge lever
- W1: Hinge lever
- W2: Short hinge roller lever
- W21: Hinge roller lever
- W3: One-way action short hinge roller lever
- W31: One-way action hinge roller lever

## Ordering Information

Actuator	Model	Approved Standards		
		UL	CSA	EN
Plunger	ZC-D55	●	●	●
Panel mount plunger	ZC-Q55	●	●	●
Panel mount roller plunger	ZC-Q2255	●	●	●
Panel mount crossroller plunger	ZC-Q2155	●	●	●
Sealed roller plunger	ZC-N2255	●	●	●
Sealed crossroller plunger	ZC-N2155	●	●	●
Short hinge lever	ZC-W55	●	●	●
Hinge lever	ZC-W155	●	●	●
Short hinge roller lever	ZC-W255	●	●	●
Hinge roller lever	ZC-W2155	●	●	●
One-way action short hinge roller lever	ZC-W355	●	●	●
One-way action hinge roller lever	ZC-W3155	●	●	●

Note: 1. Use molded terminal models when using the Switch under one of the following conditions:  
a) dusty, b) high amount of dripping oil, or c) high humidity. Refer to *Molded Terminal Model* in page 2 for the details.  
2. Models are available with lead outlets in three positions: right-hand, left-hand, and underside.

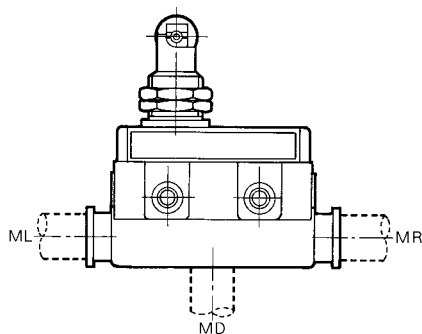
### Molded Terminal Model

Use of the molded terminal model is recommended in locations subject to excessive dust, oil drips, or moisture. The molded terminal model will have the same dimensions and operating characteristics as the basic model in each. Not approved by UL, CSA or EN.

Actuator	Location of lead output	Left-hand	Right-hand	Underside
	Length			
Plunger	1 M	ZC-D55-ML VCT 1M	ZC-D55-MR VCT 1M	ZC-D55-MD VCT 1M
	3 M	ZC-D55-ML VCT 3M	ZC-D55-MR VCT 3M	ZC-D55-MD VCT 3M
Panel mount plunger	1 M	ZC-Q55-ML VCT 1M	ZC-Q55-MR VCT 1M	ZC-Q55-MD VCT 1M
	3 M	ZC-Q55-ML VCT 3M	ZC-Q55-MR VCT 3M	-
Panel mount roller plunger	1 M	ZC-Q2255-ML VCT 1M	ZC-Q2255-MR VCT 1M	ZC-Q2255-MD VCT 1M
	3 M	ZC-Q2255-ML VCT 3M	ZC-Q2255-MR VCT 3M	ZC-Q2255-MD VCT 3M
Panel mount crossroller plunger	1 M	ZC-Q2155-ML VCT 1M	ZC-Q2155-MR VCT 1M	ZC-Q2155-MD VCT 1M
	3 M	-	ZC-Q2155-MR VCT 3M	ZC-Q2155-MD VCT 3M
Sealed roller plunger	1 M	ZC-N2255-ML VCT 1M	ZC-N2255-MR VCT 1M	ZC-N2255-MD VCT 1M
	3 M	ZC-N2255-ML VCT 3M	ZC-N2255-MR VCT 3M	ZC-N2255-MD VCT 3M
Sealed crossroller plunger	1 M	ZC-N2155-ML VCT 1M	ZC-N2155-MR VCT 1M	ZC-N2155-MD VCT 1M
	3 M	ZC-N2155-ML VCT 3M	ZC-N2155-MR VCT 3M	-
Short hinge lever	1 M	-	ZC-W55-MR VCT 1M	-
Hinge lever	1 M	ZC-W155-ML VCT 1M	ZC-W155-MR VCT 1M	ZC-W155-MD VCT 1M
Short hinge roller lever	1 M	ZC-W255-ML VCT 1M	ZC-W255-MR VCT 1M	ZC-W255-MD VCT 1M
Hinge roller lever	1 M	ZC-W2155-ML VCT 1M	ZC-W2155-MR VCT 1M	ZC-W2155-MD VCT 1M
One-way action short hinge roller lever	1 M	-	ZC-W355-MR VCT 1M	-

#### Location of lead output

Right-hand	MR
Left-hand	ML
Underside	MD



#### Lead Supplies

Leads	Specifi- cation	Nominal cross-sectional area (mm <sup>2</sup> )	External diameter (mm)	Terminal connections
	V.C.T. (vinyl cabtire cable)	1.25	3 conductor: 10.5 dia.	Black: COM White: NO Red: NC

### Operation Indicator-equipped Models

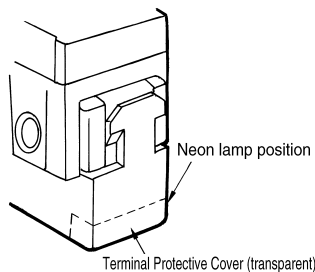
Some models can be equipped upon request with an operation indicator to facilitate maintenance and inspection. Because the indicator is incorporated in the Terminal Protective Cover, the dimensions of the Limit Switch are not affected. In this model, the lead wire is to be connected to the screw terminal. (A connecting washer is provided on the tip of the lead wire). The lead wire can be connected to either the NC or NO terminal. Operating characteristics are the same as the basic model from in each. Not approved by UL, CSA and EN.

\* 12/24 VDC products are not subject to EN standards because their voltage is below that subject to CE marking regulations.

Actuator	AC	DC (12VDC) *	DC (24VDC) *
Plunger	ZC-D55-L	-	ZC-D55-L4
Panel mount plunger	ZC-Q55-L	-	ZC-Q55-L4
Panel mount roller plunger	ZC-Q2255-L	ZC-Q2255-L2	ZC-Q2255-L4
Panel mount crossroller plunger	ZC-Q2155-L	-	ZC-Q2155-L4
Sealed roller plunger	ZC-N2255-L	ZC-N2255-L2	ZC-N2255-L4
Sealed crossroller plunger	ZC-N2155-L	ZC-N2155-L2	ZC-N2155-L4
Hinge lever	ZC-W155-L	-	ZC-W155-L4
Short hinge roller lever	ZC-W255-L	-	ZC-W255-L4
Hinge roller lever	ZC-W2155-L	-	ZC-W2155-L4

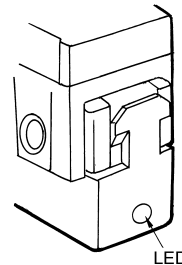
**(For AC)**

- The operating voltage range is from 90 to 250 VAC.
- The dimensions are the same as the standard type. The top of the Terminal Protective Cover is transparent to allow checking the operation easily.

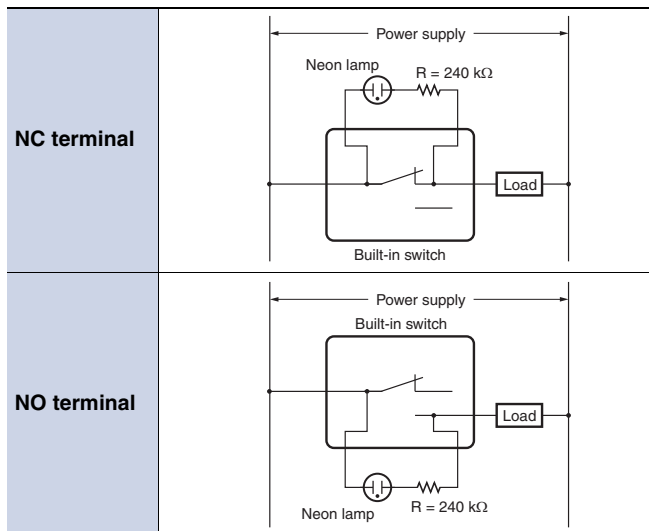


**(For DC)**

- The DC-operated is provided with an LED indicator.
- There is no protective structure.
- Since a rectifier stack is incorporated into the unit to permit reversing the polarity, this type can also operate on AC power source.
- The LED projects from the housing for easy visibility.



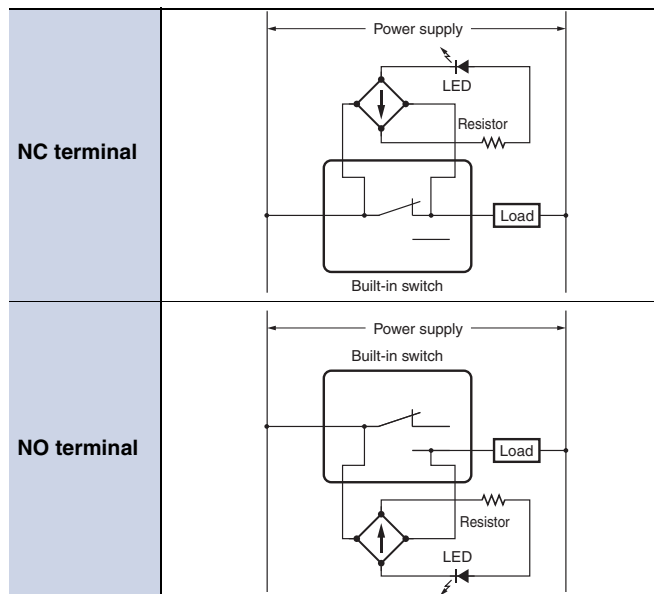
**Contact Circuit**



Note: If the wiring is as shown above, the operation of the respective parts will be as shown in the following table. The neon lamp is not wired when the Switch is delivered. Connect it as required.

Contact	Neon lamp	Load	Actuator
NC	ON	Does not operate	Operates
	OFF	Operates	Does not operate
NO	ON	Does not operate	Does not operate
	OFF	Operates	Operates

**Contact Circuit**



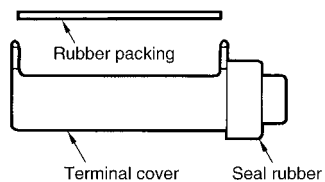
Note: If the wiring is as shown above, the operation of the respective parts will be as shown in the following table. The LED terminals are not wired when the Switch is delivered. Connect it as required.

Contact	LED	Load	Actuator
NC	ON	Does not operate	Operates
	OFF	Operates	Does not operate
NO	ON	Does not operate	Does not operate
	OFF	Operates	Operates

## Accessories

	MODEL
ZC Terminal Cover	TERMINAL COVER FOR ZC55
ZC Seal Rubber	SC-R40
ZC Rubber Packing	ZC RUBBER PACKING

Note: The Switch is equipped with these 3 items as a standard.



# Specifications

## Approved Standards

Agency	Standard	File No.
UL*	UL508	E76675
TÜV Rheinland	EN60947-1, EN60947-5-1	J50041904
CCC(CQC)	GB14048.5	2003010303077620

Note: Ask your OMRON representative for information on approved models.  
 \* UL certified for CSA C22.2 No. 14.

## Ratings

Rated voltage	Non-inductive load (A)				Inductive load (A)			
	Resistive load		Lamp load		Inductive load		Motor load	
	NC	NO	NC	NO	NC	NO	NC	NO
125 VAC	10		3	1.5	10		5	2.5
250 VAC	10		2.5	1.25	10		3	1.5
8 VDC	10		3	1.5	6		5	2.5
14 VDC	10		3	1.5	6		5	2.5
30 VDC	6		3	1.5	5		5	2.5
125 VDC	0.5		0.4	0.4	0.05		0.05	0.05
250 VDC	0.25		0.2	0.2	0.03		0.03	0.03

Inrush current	NC	30 A max.
	NO	15 A max.

- Note: 1. The above figures are for steady-state currents.  
 2. Inductive loads have a power factor of 0.4 min. (AC) and a time constant of 7 ms max. (DC).  
 3. Lamp load has an inrush current of 10 times the steady-state current.  
 4. Motor load has an inrush current of 6 times the steady-state current.  
 5. The above ratings were tested under the following conditions according.  
 (1) Ambient temperature: +20±2°C  
 (2) Ambient humidity: 65±5%RH  
 (3) Operating frequency: 20 operations/min.

## Characteristics

Degree of protections		IP67
Durability	Mechanical	10,000,000 operations min.
	Electrical	500,000 operations min.
Operating speed		0.05 mm/s to 0.5 m/s *1
Operating frequency	Mechanical	120 operations/min
	Electrical	20 operations/min
Insulation resistance		100 MΩ min. (at 500 VDC)
Contact resistance		15 mΩ max. (initial value for the built-in switch when tested alone)
Dielectric strength	Between non-continuous terminals	1,000 VAC, 50/60 Hz for 1 min
	Between each terminal and non-current-carrying metal parts	2,000 VAC, 50/60 Hz for 1 min
Rated insulation voltage (Ui)		1,000 VAC
Pollution degree (operating environment)		3 (IEC947-5-1)
Short-circuit protective device		10 A-fuse type gG (IEC 60269)
Protection against electric shock		Class II
Proof tracking index (PTI)		175
Switch category		D (IEC335)
Rated operating current (Ie)		10 A
Rated operating voltage (Ue)		250 VAC
Vibration resistance	Malfuction	10 to 55 Hz, 1.5-mm double amplitude *2
Shock resistance	Destruction	1,000 m/s <sup>2</sup> max.
	Malfuction	300 m/s <sup>2</sup> max. (in case of plunger model) *1 *2
Ambient operating temperature		-10°C to +80°C (with no icing)
Ambient operating humidity		35% to 95%RH
Weight		Approx. 92 g (in case of ZC-Q22(21)55)

\*1. Only for models with plungers. (Contact your OMRON representative for information on other models.)

\*2. Less than 1 ms under a free state at the operating limits.

## Approved Standard Ratings

### UL/CSA

#### A300

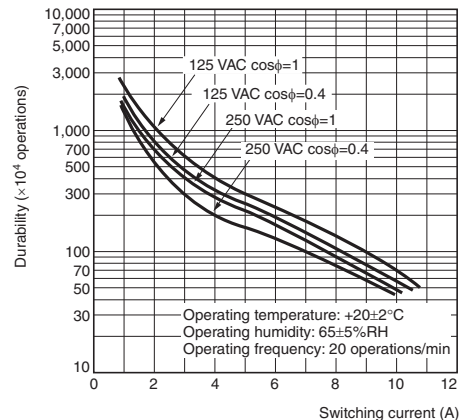
Voltage	Carry current	Current (A)		Volt-amperes (VA)	
		Make	Break	Make	Break
120 VAC	10A	60	6	7,200	720
240 VAC		30	3		

TÜVRheinland (EN60947-1, EN60947-5-1),  
 CCC (GB14048.5)

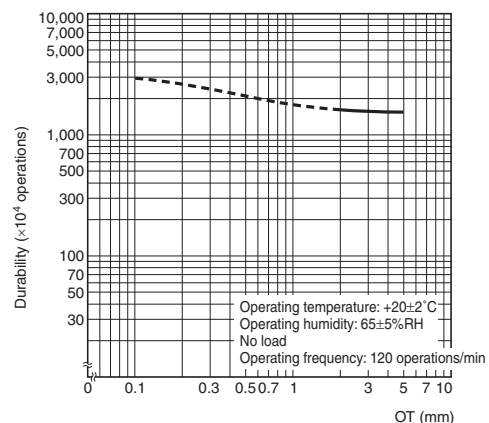
Applicable category and ratings
AC-12 10 A/250 VAC

## Engineering Data

### Electrical Durability



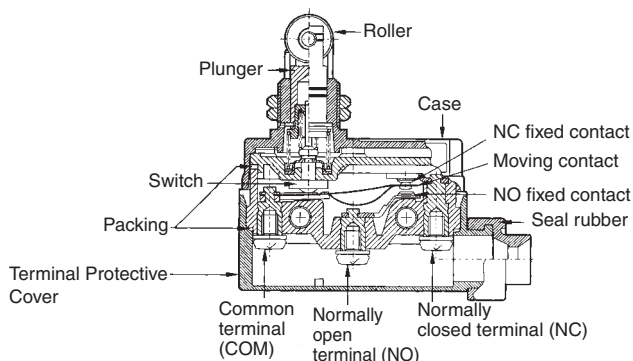
### Mechanical Durability (for ZC-Q55)



## Structure and Nomenclature

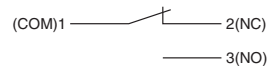
### Structure

Changing the Terminal Protective Cover around allows the cable to be pulled out from either the right or the left.



Note: M4 binding head screws (with toothed washers) are used as the terminal screws.

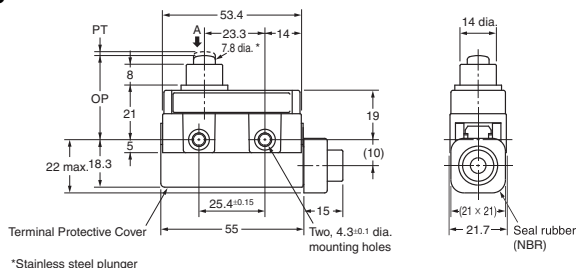
### Contact Form



## Dimensions and Operating Characteristics

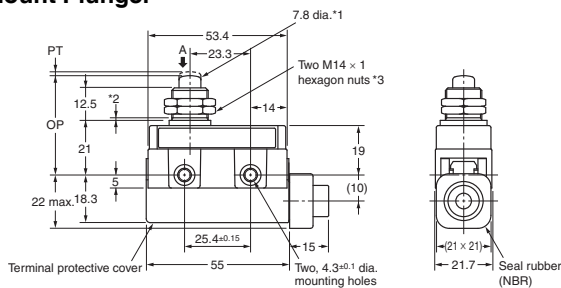
(Unit: mm)

### Plunger ZC-D55



\*Stainless steel plunger

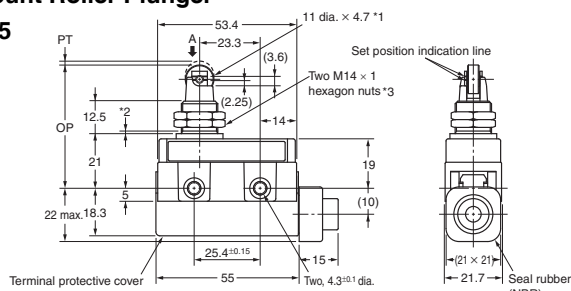
### Panel Mount Plunger ZC-Q55



\*1. Stainless steel plunger  
\*2. The length of the imperfect threads is 1.5 mm maximum.  
\*3. Thickness: 3 width: 17

Note: Do not use the M14 mounting screw and the case mounting hole at the same time.

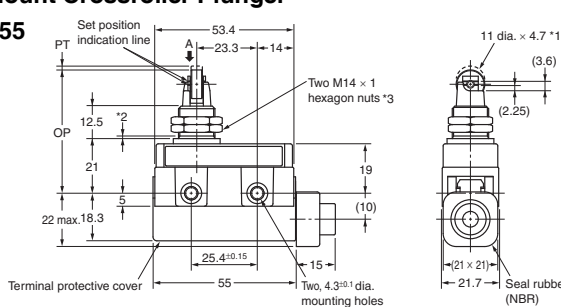
### Panel Mount Roller Plunger ZC-Q2255



\*1. Stainless sintered alloy roller  
\*2. The length of the imperfect threads is 1.5 mm maximum.  
\*3. Thickness: 3 width: 17

Note: Do not use the M14 mounting screw and the case mounting hole at the same time.

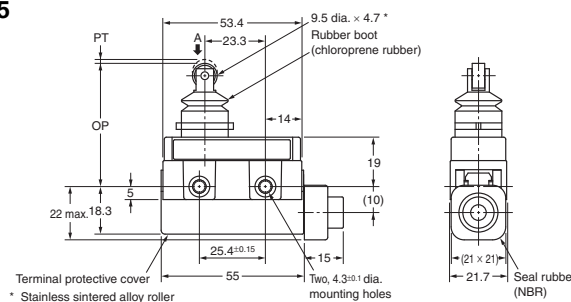
### Panel Mount Crossroller Plunger ZC-Q2155



\*1. Stainless sintered alloy roller  
\*2. The length of the imperfect threads is 1.5 mm maximum.  
\*3. Thickness: 3 width: 17

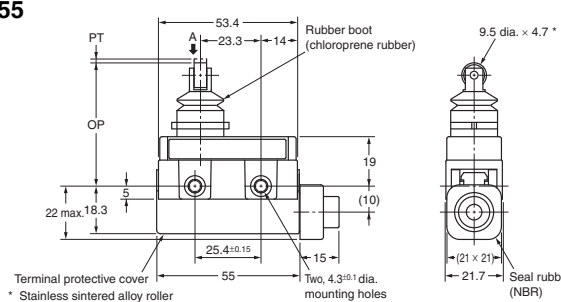
Note: Do not use the M14 mounting screw and the case mounting hole at the same time.

### Sealed Roller Plunger ZC-N2255



\* Stainless sintered alloy roller

### Sealed Crossroller Plunger ZC-N2155

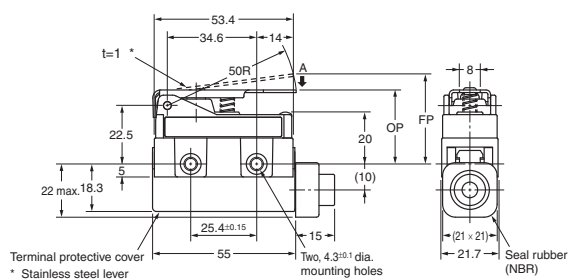


\* Stainless sintered alloy roller

Note: 1. Unless otherwise specified, a tolerance of  $\pm 0.4$  mm applies to all dimensions.  
2. Operating characteristics are for when the Switch is operated from direction A.

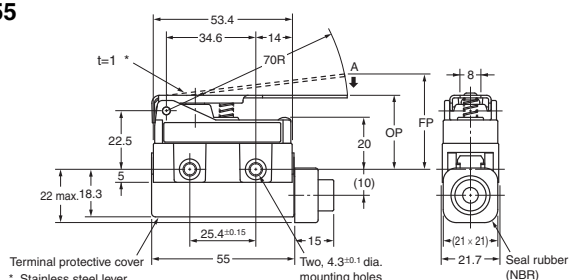
**Short Hinge Roller Lever**

**ZC-W55**



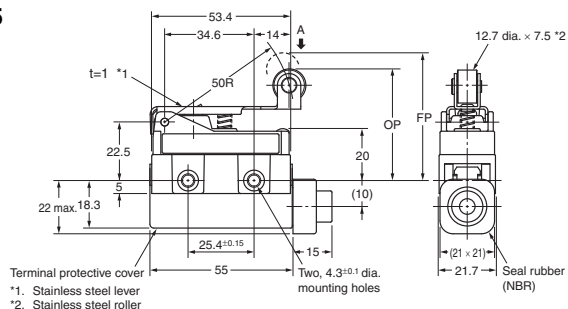
**Hinge Lever**

**ZC-W155**



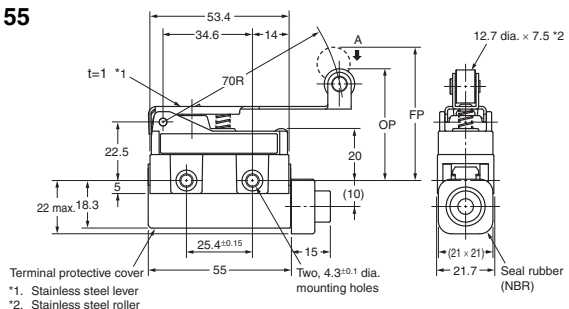
**Short Hinge Roller Lever**

**ZC-W255**



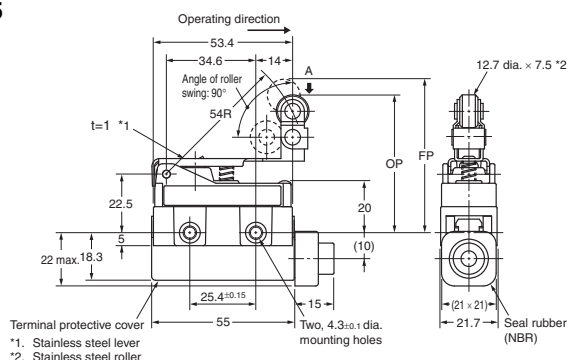
**Hinge Roller Lever**

**ZC-W2155**



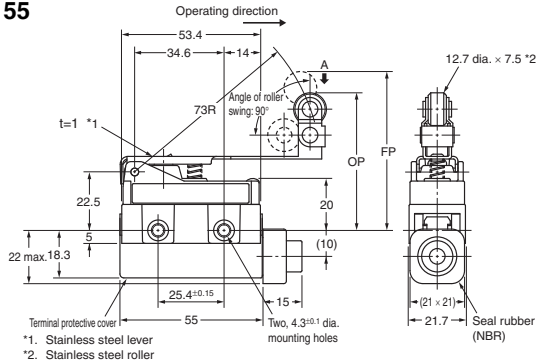
**One-way Action Short Hinge Roller Lever**

**ZC-W355**



**One-way Action Hinge Roller Lever**

**ZC-W3155**



Note: 1. Unless otherwise specified, a tolerance of  $\pm 0.4$  mm applies to all dimensions.  
2. Operating characteristics are for when the Switch is operated from direction A.

Operating Characteristics	Model	ZC-D55	ZC-Q55	ZC-Q2255	ZC-Q2155	ZC-N2255 *	ZC-N2155 *
Operating force	OF max.	11.8 N	11.8 N	11.8 N	11.8 N	6.86 N	6.86 N
Release force	RF min.	4.9 N	4.9 N	4.9 N	4.9 N	1.67 N	1.67 N
Pretravel	PT max.	1.5 mm	1.5 mm	1.5 mm	1.5 mm	1.5 mm	1.5 mm
Overtravel	OT min.	2.4 mm	3 mm	3 mm	3 mm	2.5 mm	2.5 mm
Movement Differential	MD max.	0.2 mm	0.2 mm	0.2 mm	0.2 mm	0.2 mm	0.2 mm
Free Position	FP max.	---	---	---	---	---	---
Operating Position	OP	32.4 $\pm$ 0.8 mm	38.2 $\pm$ 0.8 mm	47.4 $\pm$ 0.8 mm	47.4 $\pm$ 0.8 mm	47.4 $\pm$ 0.8 mm	47.4 $\pm$ 0.8 mm

\* Make sure that the permissible OT position is not exceeded.

Operating Characteristics	Model	ZC-W55	ZC-W155	ZC-W255	ZC-W2155	ZC-W355	ZC-W3155
Operating force	OF max.	3.92 N	2.75 N	3.92 N	2.75 N	3.92 N	2.75 N
Release force	RF min.	0.78 N	0.59 N	0.78 N	0.59 N	0.78 N	0.59 N
Pretravel	PT max.	---	---	---	---	---	---
Overtravel	OT min.	6 mm	8.4 mm	6 mm	8.4 mm	6 mm	8.4 mm
Movement Differential	MD max.	1 mm	1.4 mm	1 mm	1.4 mm	1 mm	1.4 mm
Free Position	FP max.	34.7 mm	36.7 mm	49.2 mm	51.3 mm	59.2 mm	61.2 mm
Operating Position	OP	28.5 $\pm$ 1.2 mm	28.5 $\pm$ 1.2 mm	43 $\pm$ 1.2 mm	43 $\pm$ 1.2 mm	53 $\pm$ 1.2 mm	53 $\pm$ 1.2 mm

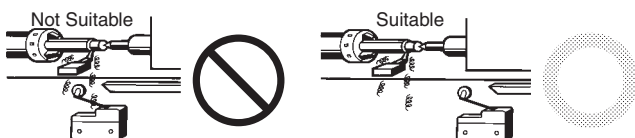
## Safety Precautions

Refer to *Safety Precautions for All Limit Switches*.

### Precautions for Correct Use

#### Operating Environment

- Seal material may deteriorate if a Switch is used outdoor or where subject to special cutting oils, solvents, or chemicals. Always appraise performance under actual application conditions and set suitable maintenance and replacement periods.
- Install Switches where they will not be directly subject to cutting chips, dust, or dirt. The Actuator and Switch must also be protected from the accumulation of cutting chips or sludge.



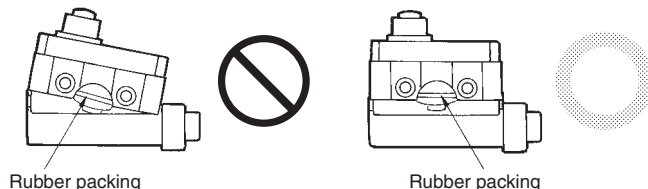
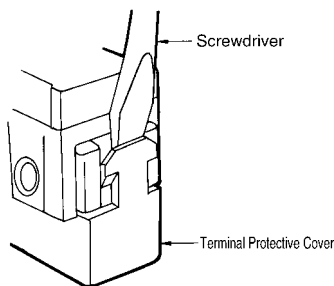
- Constantly subjecting a Switch to vibration or shock can result in wear, which can lead to contact interference with contacts, operation failure, reduced durability, and other problems. Excessive vibration or shock can lead to false contact operation or damage. Install Switches in locations not subject to shock and vibration and in orientations that will not produce resonance.
- The Switches have physical contacts. Using them in environments containing silicon gas will result in the formation of silicon oxide (SiO<sub>2</sub>) due to arc energy. If silicon oxide accumulates on the contacts, contact interference can occur. If silicon oil, silicon filling agents, silicon cables, or other silicon products are present near the Switch, suppress arcing with contact protective circuits (surge killers) or remove the source of silicon gas.

#### Dog Angle

When operating the roller type, be sure to set the dog angle to less than 30° (even when operating at a low speed). Operating the model at a dog angle exceeding 30° will soon cause abrasion or damage. Do not apply a twisting force to the plunger. Set the OT to 70% to 100% of the specified value so that the actuator will not exceed the OT.

#### Handling

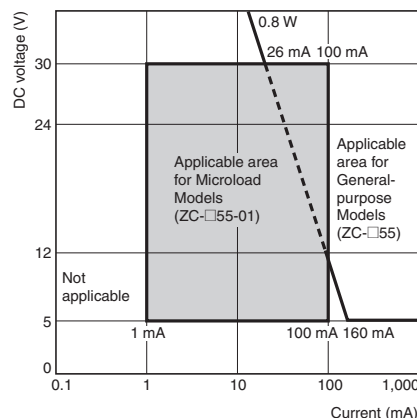
- When detaching the Terminal Protective Cover, insert a screwdriver and apply a force in the opening direction. Do not use excess force to remove the cover. Doing so may cause deformation in the fitting section and reduce the holding force.
- When mounting the Terminal Protective Cover to the case, align the cover on the case and then press the cover down to mount it firmly. If the cover is pressed down in an inclined position, rubber packing will deform and thus affect the sealing capability.



- A 8.5-dia. to 10.5-dia. cable can be applied as seal rubber for the lead wire outlet. (Use two- or three-core cable of VCT1.25 mm<sup>2</sup>.)
- Use weather-proof rubber (chloroprene rubber) as seal rubber for the ZC-N22(21)55.

#### Micro Load Models

Contact failure may occur if a General-purpose Switch is used to switch a microload circuit. Use Switches within the areas shown in the following chart. Even when using Microload Switches within the area shown below, contact wear will become more extreme with loads that generate surge current when switching and durability will be adversely affected. If necessary, insert a contact protective circuit. Microloads are indicated by N standard reference values. This value represents the failure rate at a 60% ( $\lambda_{60}$ ) reliability level. (JIS C5003) The equation  $\lambda_{60} = 0.5 \times 10^{-6}/\text{operations}$  indicates that a failure rate of 1/2,000,000 operations can be expected at a reliability level of 60%.

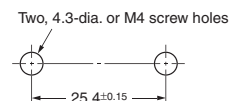


Model	ZC-□55-01	ZC-□55
Minimum applicable load	5 VDC 1mA	5 VDC 160mA

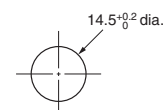
#### Mounting

- When mounting the Switch with screws on a side surface, fasten the Switch with M4 screws and use washers, spring washers, etc., to ensure secure mounting.
- When mounting the Panel Mount-type Enclosed Switch (ZC-Q55, ZC-Q2255, or ZC-Q2155) with screws on a side surface, remove the hexagonal nuts from the actuator.

##### Mounting Holes



##### Mounting Holes



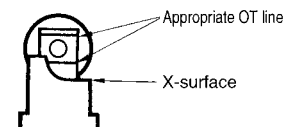
#### Appropriate Tightening Torque

A loose screw may result in a malfunction. Be sure to tighten each screw to the proper tightening torque as shown below.

No.	Type	Appropriate Tightening Torque
(1)	Terminal screw	0.78 to 1.18 N·m
(2)	Panel mounting screw	4.90 to 7.84 N·m
(3)	Side mounting screw	1.18 to 1.47 N·m

#### Operation

With the ZC-Q22(21)55, an appropriate OT line is marked on the plunger. Set the OT so that it is between the two X-surface lines.





## Terms and Conditions Agreement

### Read and understand this catalog.

Please read and understand this catalog before purchasing the products. Please consult your OMRON representative if you have any questions or comments.

### Warranties.

(a) Exclusive Warranty. Omron's exclusive warranty is that the Products will be free from defects in materials and workmanship for a period of twelve months from the date of sale by Omron (or such other period expressed in writing by Omron). Omron disclaims all other warranties, express or implied.

(b) Limitations. OMRON MAKES NO WARRANTY OR REPRESENTATION, EXPRESS OR IMPLIED, ABOUT NON-INFRINGEMENT, MERCHANTABILITY OR FITNESS FOR A PARTICULAR PURPOSE OF THE PRODUCTS. BUYER ACKNOWLEDGES THAT IT ALONE HAS DETERMINED THAT THE PRODUCTS WILL SUITABLY MEET THE REQUIREMENTS OF THEIR INTENDED USE.

Omron further disclaims all warranties and responsibility of any type for claims or expenses based on infringement by the Products or otherwise of any intellectual property right. (c) Buyer Remedy. Omron's sole obligation hereunder shall be, at Omron's election, to (i) replace (in the form originally shipped with Buyer responsible for labor charges for removal or replacement thereof) the non-complying Product, (ii) repair the non-complying Product, or (iii) repay or credit Buyer an amount equal to the purchase price of the non-complying Product; provided that in no event shall Omron be responsible for warranty, repair, indemnity or any other claims or expenses regarding the Products unless Omron's analysis confirms that the Products were properly handled, stored, installed and maintained and not subject to contamination, abuse, misuse or inappropriate modification. Return of any Products by Buyer must be approved in writing by Omron before shipment. Omron Companies shall not be liable for the suitability or unsuitability or the results from the use of Products in combination with any electrical or electronic components, circuits, system assemblies or any other materials or substances or environments. Any advice, recommendations or information given orally or in writing, are not to be construed as an amendment or addition to the above warranty.

See <http://www.omron.com/global/> or contact your Omron representative for published information.

### Limitation on Liability: Etc.

OMRON COMPANIES SHALL NOT BE LIABLE FOR SPECIAL, INDIRECT, INCIDENTAL, OR CONSEQUENTIAL DAMAGES, LOSS OF PROFITS OR PRODUCTION OR COMMERCIAL LOSS IN ANY WAY CONNECTED WITH THE PRODUCTS, WHETHER SUCH CLAIM IS BASED IN CONTRACT, WARRANTY, NEGLIGENCE OR STRICT LIABILITY.

Further, in no event shall liability of Omron Companies exceed the individual price of the Product on which liability is asserted.

### Suitability of Use.

Omron Companies shall not be responsible for conformity with any standards, codes or regulations which apply to the combination of the Product in the Buyer's application or use of the Product. At Buyer's request, Omron will provide applicable third party certification documents identifying ratings and limitations of use which apply to the Product. This information by itself is not sufficient for a complete determination of the suitability of the Product in combination with the end product, machine, system, or other application or use. Buyer shall be solely responsible for determining appropriateness of the particular Product with respect to Buyer's application, product or system. Buyer shall take application responsibility in all cases.

NEVER USE THE PRODUCT FOR AN APPLICATION INVOLVING SERIOUS RISK TO LIFE OR PROPERTY OR IN LARGE QUANTITIES WITHOUT ENSURING THAT THE SYSTEM AS A WHOLE HAS BEEN DESIGNED TO ADDRESS THE RISKS, AND THAT THE OMRON PRODUCT(S) IS PROPERLY RATED AND INSTALLED FOR THE INTENDED USE WITHIN THE OVERALL EQUIPMENT OR SYSTEM.

### Programmable Products.

Omron Companies shall not be responsible for the user's programming of a programmable Product, or any consequence thereof.

### Performance Data.

Data presented in Omron Company websites, catalogs and other materials is provided as a guide for the user in determining suitability and does not constitute a warranty. It may represent the result of Omron's test conditions, and the user must correlate it to actual application requirements. Actual performance is subject to the Omron's Warranty and Limitations of Liability.

### Change in Specifications.

Product specifications and accessories may be changed at any time based on improvements and other reasons. It is our practice to change part numbers when published ratings or features are changed, or when significant construction changes are made. However, some specifications of the Product may be changed without any notice. When in doubt, special part numbers may be assigned to fix or establish key specifications for your application. Please consult with your Omron's representative at any time to confirm actual specifications of purchased Product.

### Errors and Omissions.

Information presented by Omron Companies has been checked and is believed to be accurate; however, no responsibility is assumed for clerical, typographical or proofreading errors or omissions.